

AIT CONNECTOR

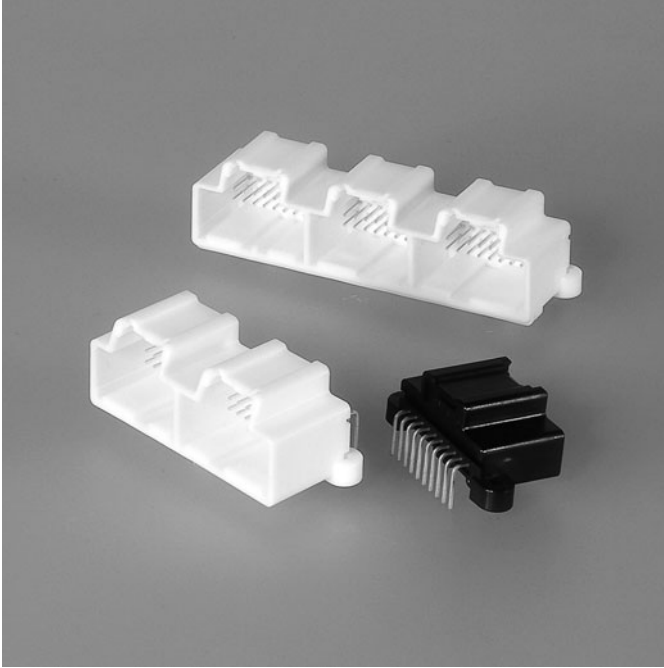
Board-to-wire

Features

● Specifications conforms to footprint of USCAR standard.

● Variations

We have variations in abundant. Contact JST for circuits number undescription in catalog.

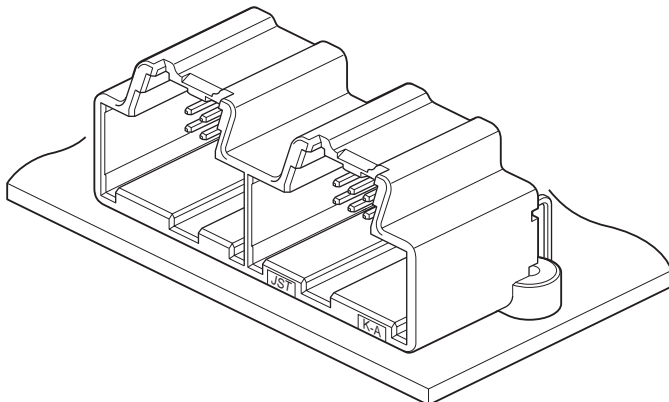


0.64 non-waterproof connector series based on the same as footprint of USCAR standard.

This connector has an abundant variation of PC board lock mechanism, circuit number development, and an adoption of designing wire-to-wire type, hence it enables to select the specified connector type according to your needs.

Specifications

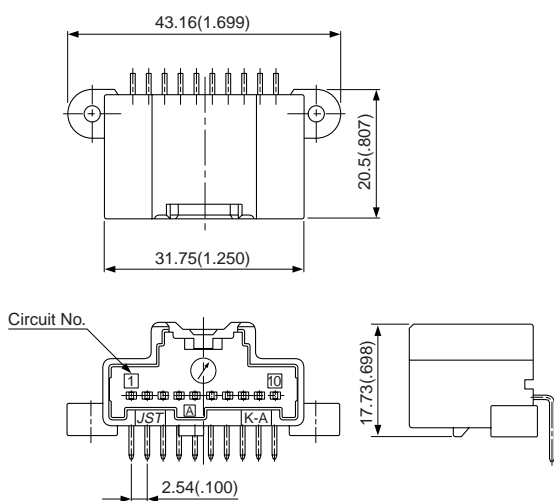
- Current rating: 5A AC, DC (0.5mm², Single circuit)
- Voltage rating: 14V AC, DC
- Temperature range: -40°C to +100°C
(including temperature rise in applying electrical current)
- Contact resistance: Initial value/20mΩ max.
After environmental testing/20mΩ max.
- Insulation resistance: 20MΩ min.
- Withstanding voltage: 1,000V AC/minute



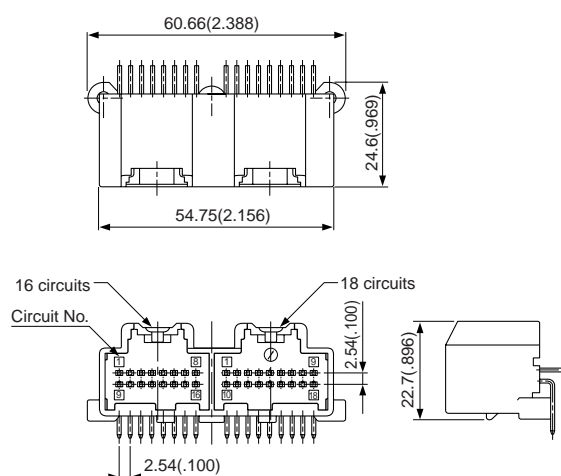
- * Contact JST if Lead-Free product is required.
- * Contact JST for details.

Header

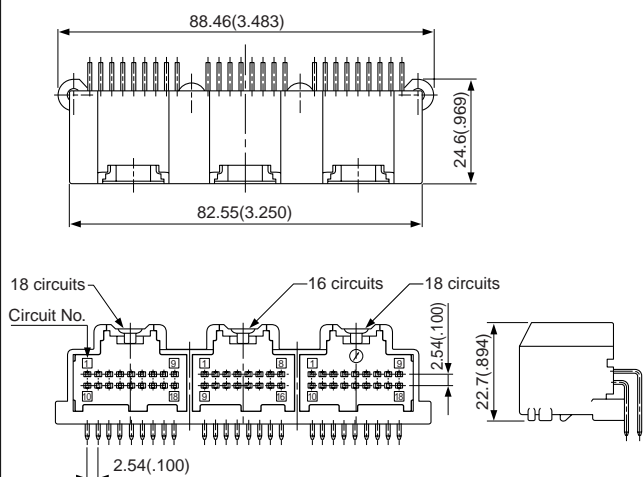
• 1 Block



• 2 Block



• 3 Block



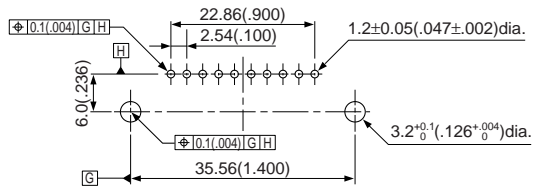
Type	Circuits	Model No.	Q'ty/box	Color
1 Block	10	S10B-AIT-AIA-KS	390	Black
2 Block	34	S34B-AIT-A22-SS	216	Natural
3 Block	52	S52B-AIT-A23-SS	144	Natural

Material and Finish

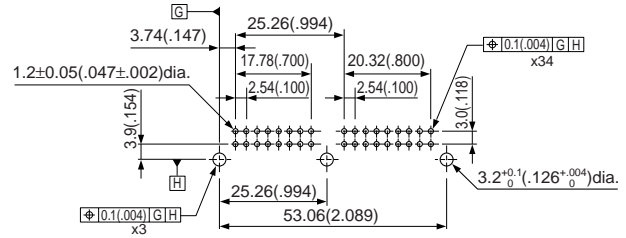
Housing: Glass-filled PBT
Pin: Brass, nickel-undercoated, tin alloy-plated

PC board layout

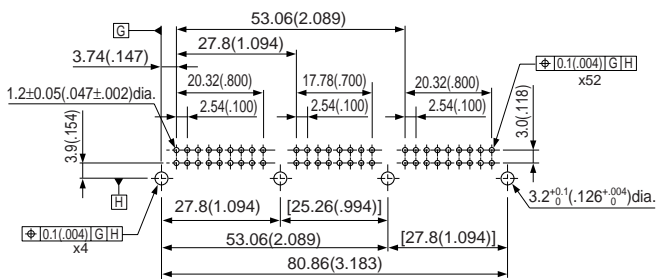
● 1 Block



● 2 Block



● 3 Block



Note: 1. Tolerances are non-cumulative: $\pm 0.05\text{mm}$ ($\pm .002''$) for all centers.
 2. Hole dimensions differ according to the kind of PC board and piercing method.
 The dimensions above should serve as a guideline. Contact JST for details.