

BMD CONNECTOR

Board-to-wire

Features

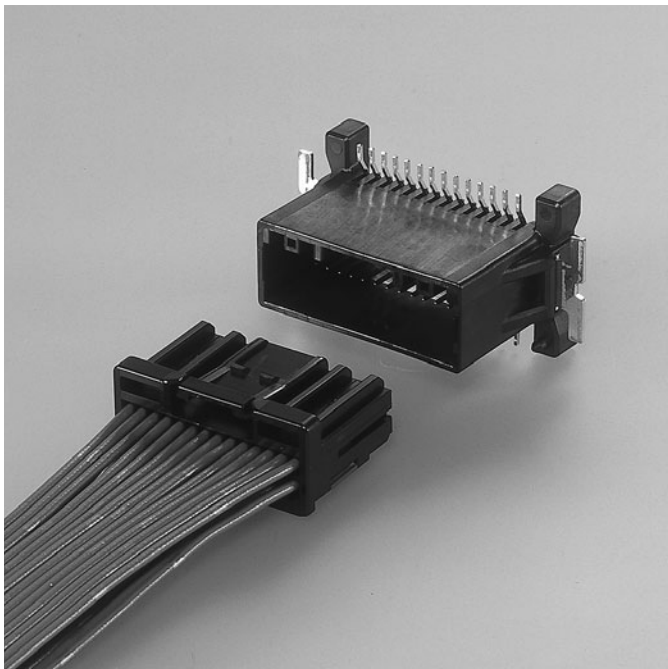
●High reliability

Using the tried and true terminal ensures high performance and high reliability.

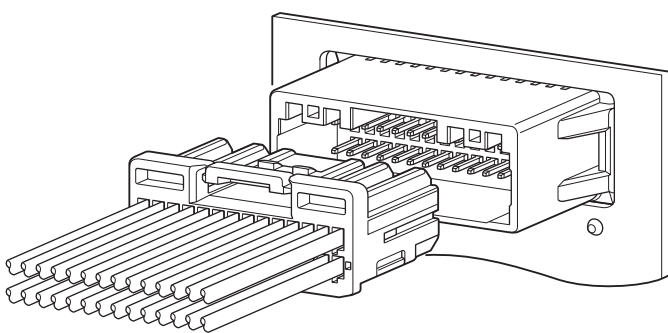
The retainer (secondary lock) is provided for automobile, and reliability is improved.

●Surface mounting

Corresponding to the surface mounting, workability is improved.



Surface mounting type connector of bottom entry type developed for instruments for automobile.



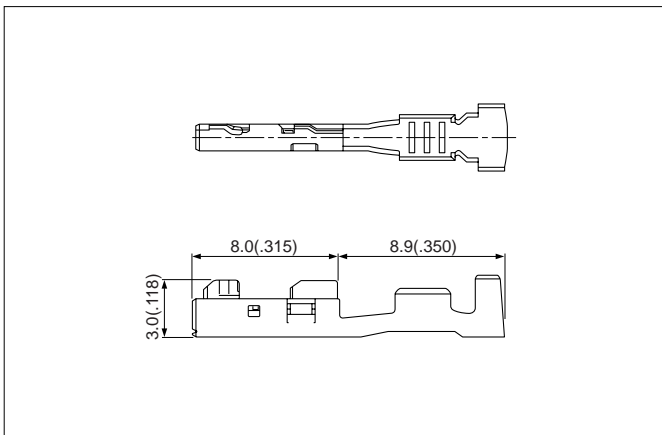
Specifications

- Current rating: 5A AC, DC (0.5mm², Single circuit)
- Voltage rating: 50V AC, DC
- Temperature range: -30°C to +105°C
(including temperature rise in applying electrical current)
- Contact resistance: Initial value/8mΩ max.
After environmental testing/16mΩ max.
- Insulation resistance: 100MΩ min.
- Withstanding voltage: 1,000V AC/minute
- Applicable wire: AVSS/ CAVS 0.3mm² to 0.5mm²

* Contact JST if Lead-Free product is required.

* Contact JST for details.

Female terminal

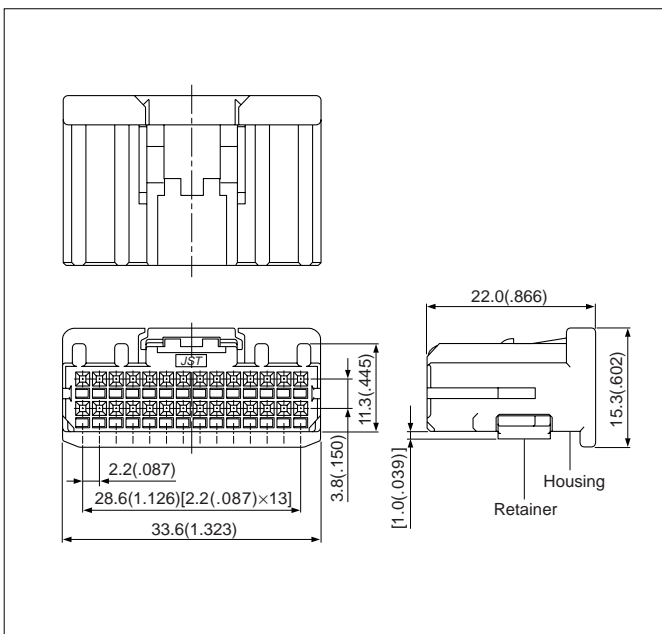


Model No.	Applicable wire range		Q ty/reel
	Conductor (mm ²)	Insulation O.D. mm(in.)	
SNAC3-A021T-M0.64	0.3 to 0.5	1.4 to 1.8 (.055 to .071)	5,000

Material and Finish

Copper alloy, tin-plated (reflow treatment)

Female connector

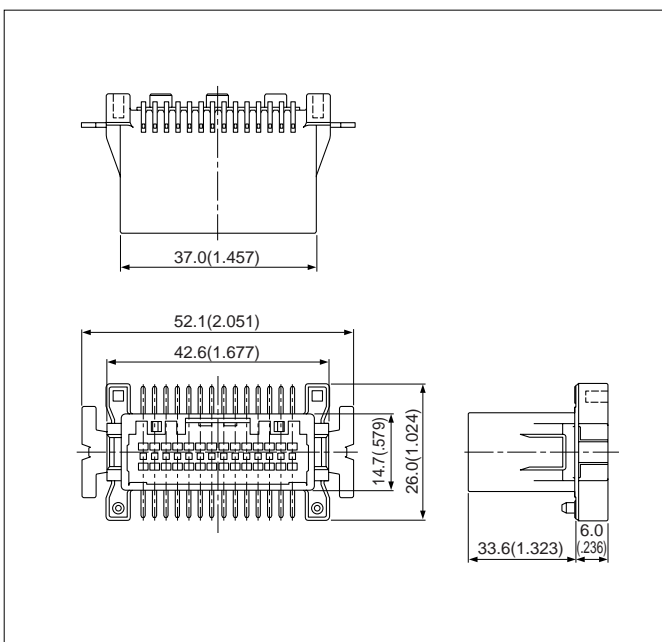


Circuits	Model No.	Q ty/box
28	28BMD-B-01A	130

Material

Housing: PBT, black
Retainer: PBT, blue

Male connector

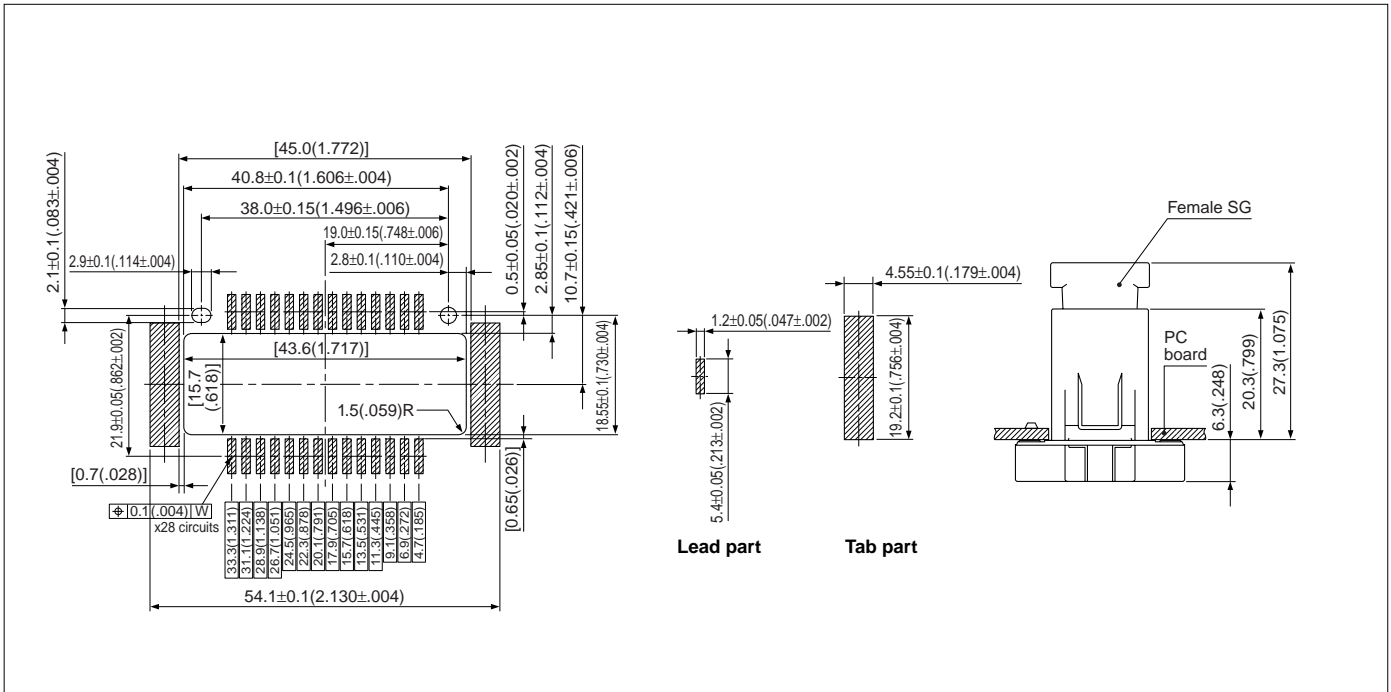


Circuits	Model No.	Q ty/box
28	EM28B-BMDK-01A (M)	252

Material and Finish

Pin: Brass, nickel-undercoated, tin-plated (reflow treatment)
Housing: Glass-filled PPS, black
Peg: Brass, nickel-undercoated, tin-plated (reflow treatment)

PC board layout, Assembly layout



Note: 1. Tolerances are non-cumulative: ± 0.05 mm ($\pm .002$ "") for all centers.
2. The dimensions above should serve as a guideline. Contact JST for details.

Crimping machine, Applicator, Hand crimp tool

Strip terminal	Crimping machine	Crimp applicator MKS-L		Hand crimp tool	Applicable wire
		Dies	Crimp applicator with dies		
SNAC3-A021T-M0.64	AP-K2N	MK/SNAC3-A021-064	APLMK SNAC3-A021-064	YRS-1003	AVSS0.5, CAVS0.5

Note: When crimping operation is conducted by using other than above applicator and die set, JST cannot guarantee the performance of connector.