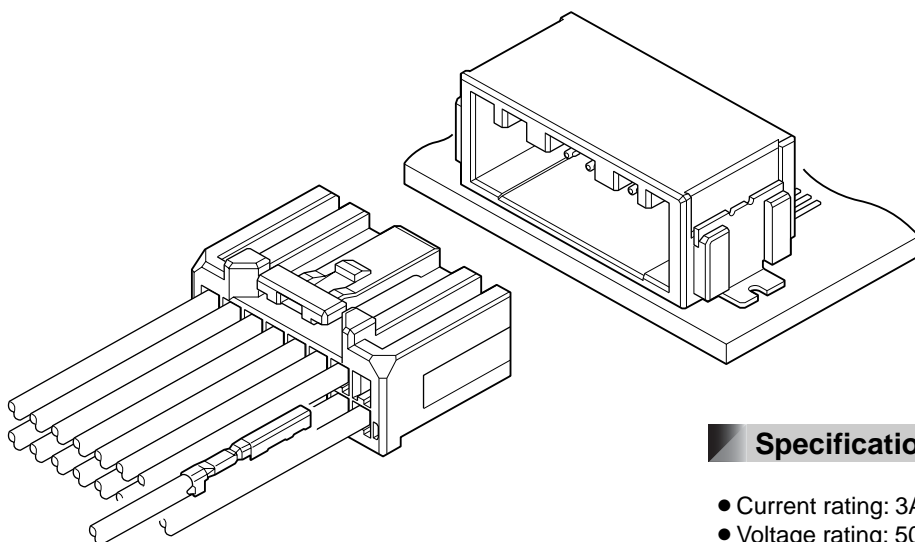


Developed in pursuit of miniaturization and low profile as PC board connector for automobile.
This connector is surface mounting type connector having the spring structure on male terminal disproving the conventional concept.



Features

● Compact design

2.0mm(0.79") pitch is realized miniaturization and low profile as the connector for automobile.

● Terminal construction

Female terminal is designed for simple box structure by having spring structure on male terminal.

Specifications

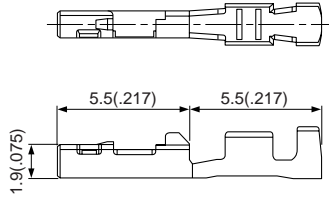
- Current rating: 3A AC, DC (0.3mm², Single circuit)
- Voltage rating: 50V AC, DC
- Temperature range: -40°C to +100°C
(including temperature rise in applying electrical current)
- Contact resistance: Initial value/8mΩ max.
After environmental testing/16mΩ max.
- Insulation resistance: 100MΩ min.
- Withstanding voltage: 1,000V AC/minute
- Applicable wire: AESX-f/ AVSS 0.3mm²

* Contact JST if Lead-Free product is required.
* Contact JST for details.

CPTCONNECTOR

Board-to-wire

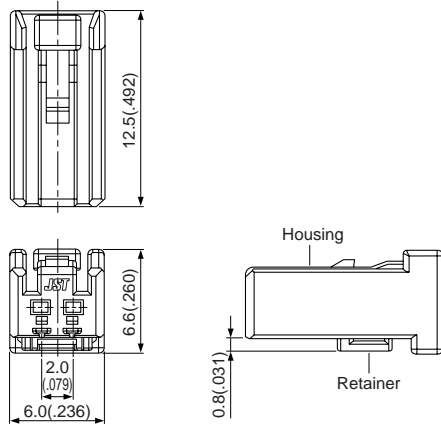
Female terminal



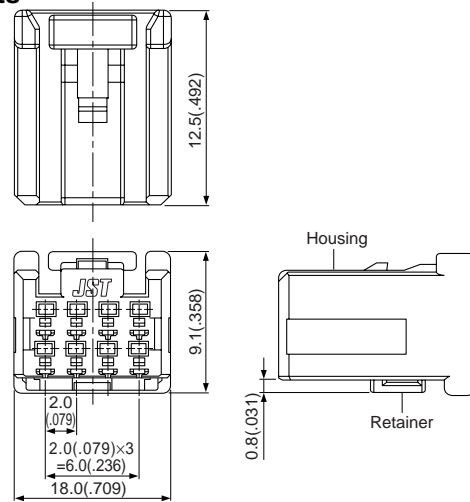
Model No.	Applicable wire range		Q'ty/reel
	Conductor (mm ²)	Insulation O.D. mm(in.)	
SCPT-A021GF-0.5	0.3	1.4(.055)	15,000
Material and Finish			
Brass, nickel-undercoated, Mating part; gold-plated Crimping part; tin-plated			

Female connector

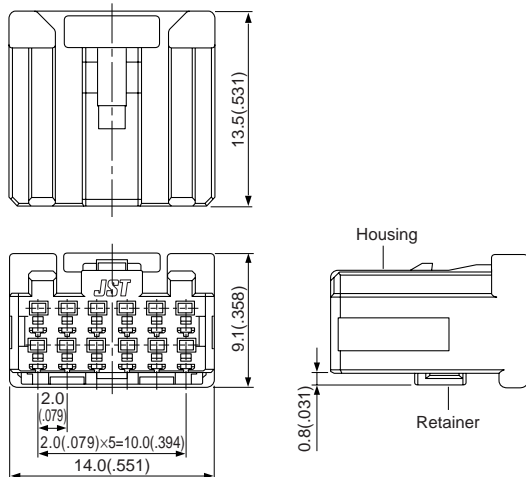
• 2 circuits



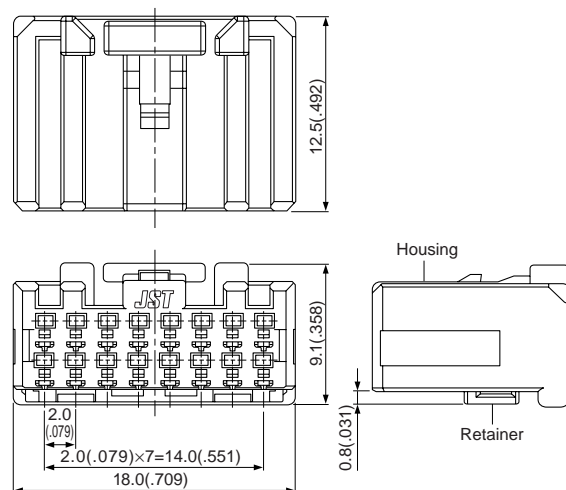
• 8 circuits



• 12 circuits



• 16 circuits



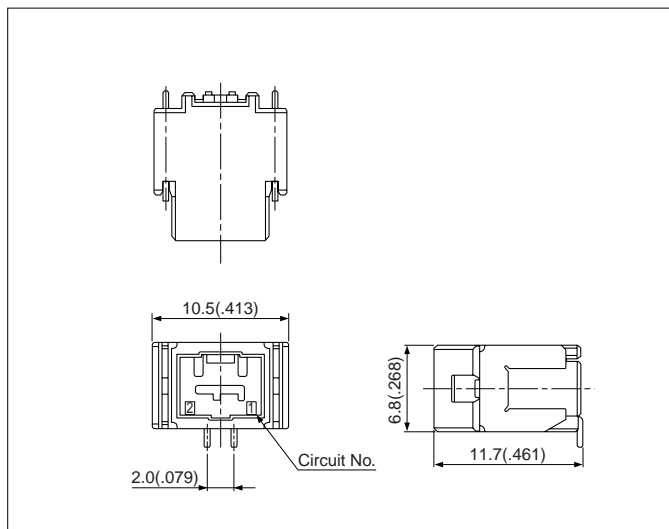
Circuits	Model No.	Q'ty/box
2	02CPT-B-2A	500
8	08CPT-B-2A	500
12	12CPT-B-2A	500
16	16CPT-B-2A	250

Material

Housing: Glass-filled PBT, black
Retainer: Glass-filled PBT, blue

HIT
AIT
HCM
MIO
CPT
BMD
CIT
HIC
SQS
SQM
SQH
SQSII
SQW
SQF
SHUNT RING
FEL
FMT
FOX
CN
EA1
WPZ
JUNCTION BOX
INDEX

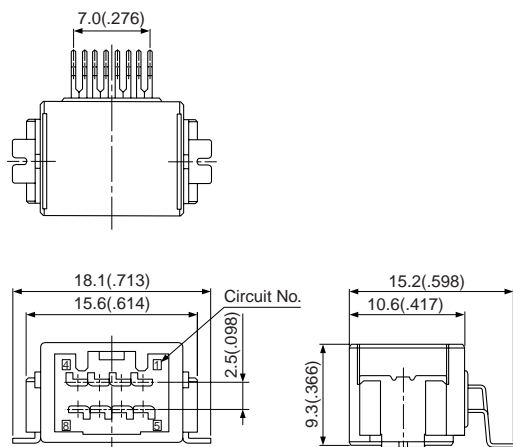
Male connector Top entry type



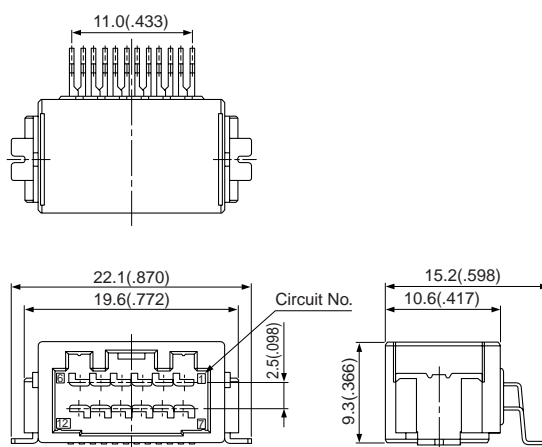
Circuits	Model No.	Q'ty/reel
2	BM02B-CPTK-1A-TB	370
Material and Finish		
Terminal: Copper alloy, nickel-undercoated, Mating part; gold-plated Solder tail; tin-plated (reflow treatment)		
Housing: Glass-filled LCP, black		
Peg: Brass, nickel-undercoated, tin-plated (reflow treatment)		

Male connector Side entry type

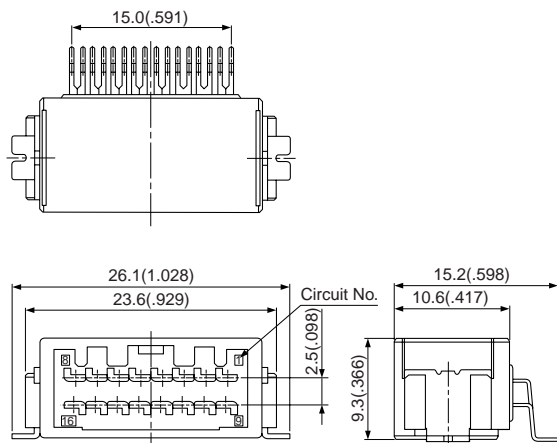
• 8 circuits



• 12 circuits



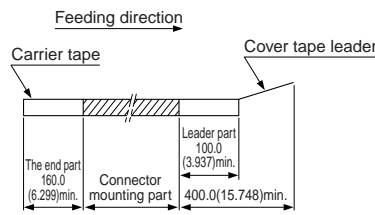
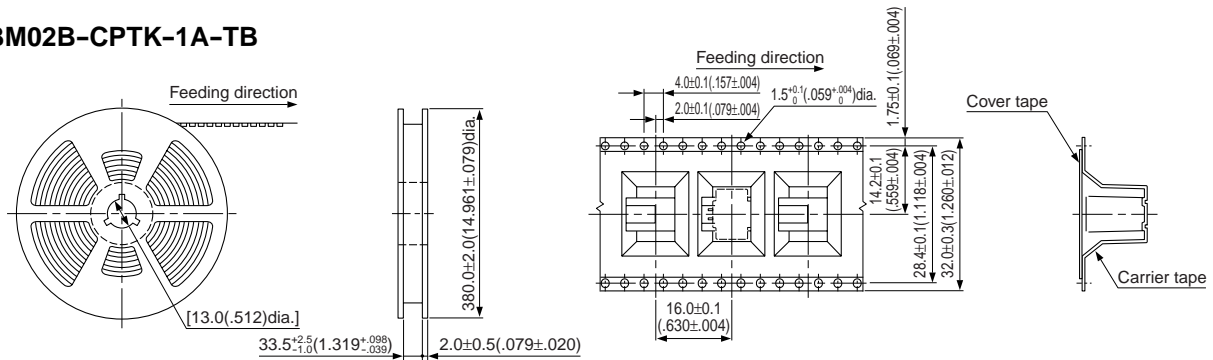
• 16 circuits



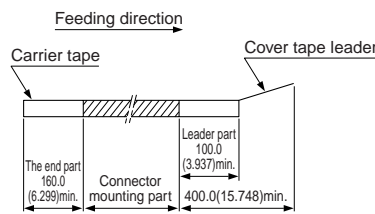
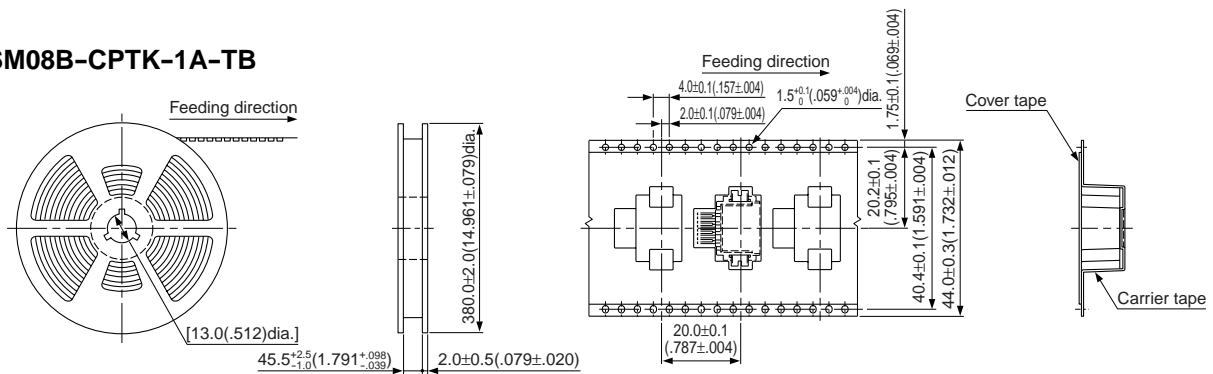
Circuits	Model No.	Q'ty/reel
8	SM08B-CPTK-1A-TB	390
12	SM12B-CPTK-1A-TB	390
16	SM16B-CPTK-1A-TB	390
Material and Finish		
Terminal: Copper alloy, nickel-undercoated, Mating part; gold-plated Solder tail; tin-plated (reflow treatment)		
Housing: Glass-filled LCP, black		
Peg: Brass, nickel-undercoated, tin-plated (reflow treatment)		

Taping Specifications

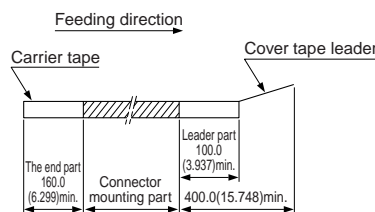
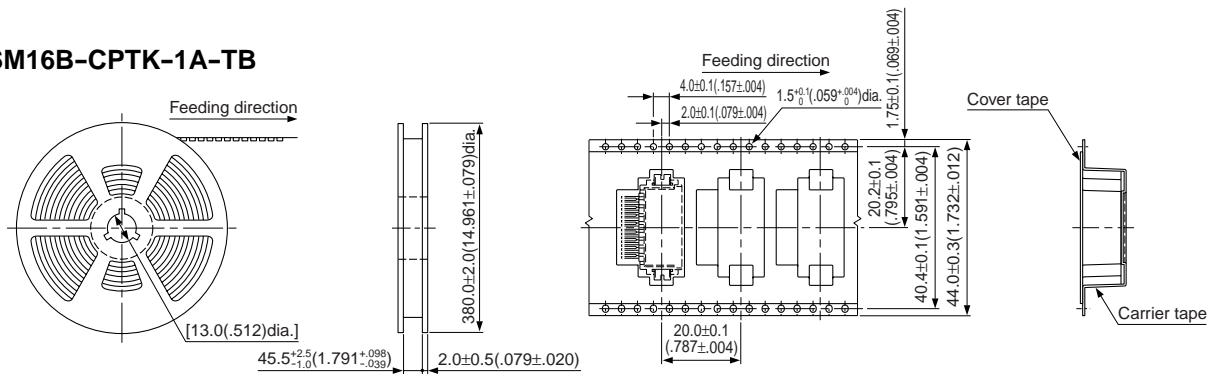
• BM02B-CPTK-1A-TB



• SM08B-CPTK-1A-TB



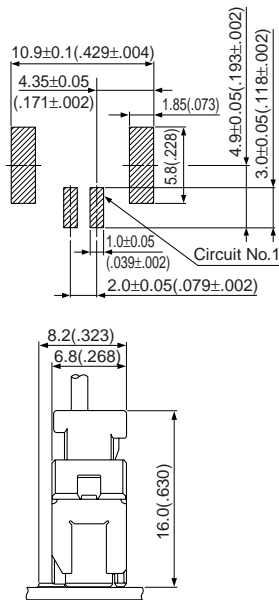
• SM16B-CPTK-1A-TB



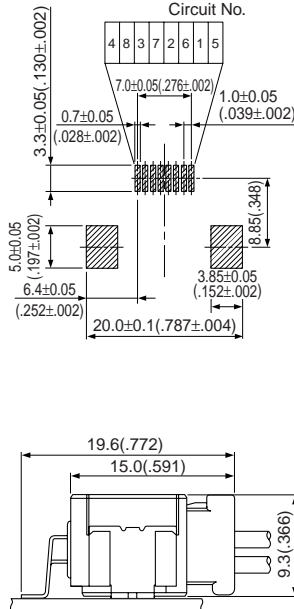
HIT
AIT
HCM
MIO
CPT
BMD
CIT
HIC
SQS
SQM
SQH
SQSII
SQW
SQF
SHUNT RING
FEL
FMT
FOX
CN
EA1
WPZ
JUNCTION BOX
INDEX

PC board layout, Assembly layout

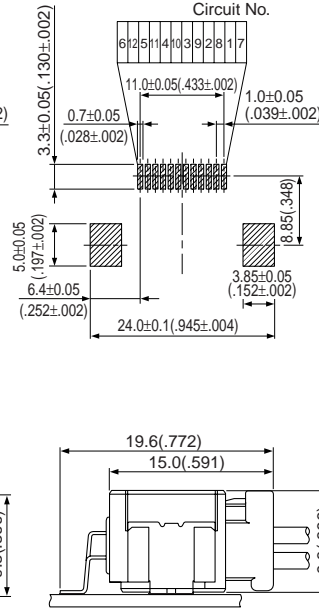
• Top entry type
2 circuits



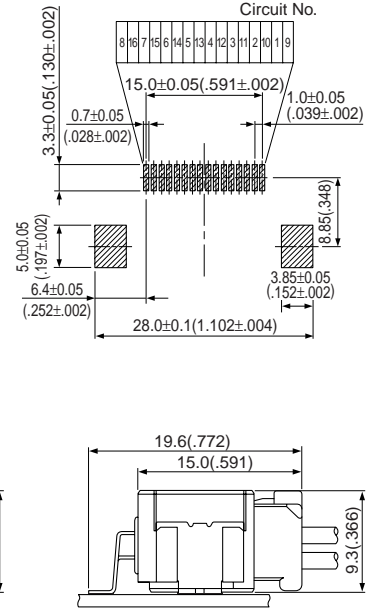
• Side entry type
8 circuits



• Side entry type
12 circuits



• Side entry type
16 circuits



Note: 1. Tolerances are non-cumulative: ±0.05mm (±.002") for all centers.
2. The dimensions above should serve as a guideline. Contact JST for details.

Crimping machine, Applicator

Strip terminal	Crimping machine	Crimp applicator MKS-L	
		Dies	Crimp applicator with dies
SCPT-A021GF-0.5	AP-K2N	MK/SCPT-A021-05	APLMK SCPT-A021-05

Note: When crimping operation is conducted by using other than above applicator and die set, JST cannot guarantee the performance of connector.

HIT
AIT
HCM
MIO
CPT
BMD
CIT
HIC
SQS
SQM
SQH
SQSII
SQW
SQF
SHUNT RING
FEL
FMT
FOX
CN
EA1
WPZ
JUNCTION BOX
INDEX