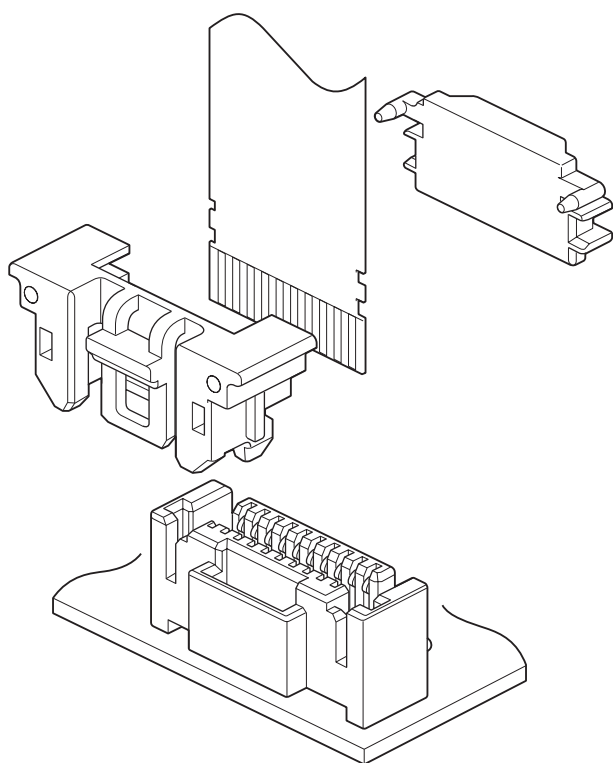


The FOX connector for FFC achieves high operability on the automobile assembly process. In addition, locking structure is provided on the FFC side to improve reliability of the connector.



Features

●Reliable locking structure

Locking structure is provided on the FFC side to prevent incomplete mating and improve FFC retention force greatly.

●High resistance to scooping (kojiri)

This connector has high resistance to scooping (kojiri) insertion and withdrawal as well as general connectors for automobile by mounting a plug housing and a retainer on the FFC side.

●Temporary board retention feature

The connector can be temporarily held on a printed circuit board by clinching the contact solder tail. It prevents lifting of the connector.

●Two types of connections

This connector is available in top and side entry type depending on its mounting designs.

Specifications

- Current rating: 1.5A AC, DC
- Voltage rating: 12V AC, DC
- Temperature range: -40°C to +90°C
(including temperature rise in applying electrical current)
- Contact resistance: Initial value/10mΩ max.
After environmental testing/30mΩ max.
- Insulation resistance: 100MΩ min.
- Withstanding voltage: 500V AC/minute
- Applicable FFC: Lead material/Tin-plated annealed copper foil
Lead pitch/1.25mm(.049")
Lead width/0.8mm(.031")
Mating part thickness/0.3±0.05mm
(.012"±.002")
- Applicable PC board: Thickness/1.6mm(.063")
Hole size/0.8±0.1mm(.031"±.004")
(Through-hole)

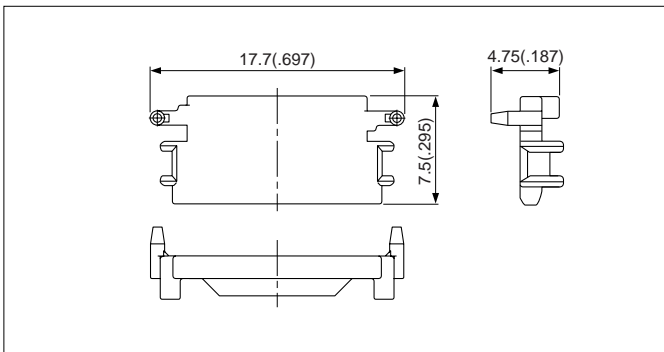
* Contact JST if Lead-Free product is required.

* Contact JST for details.

FOXCONNECTOR

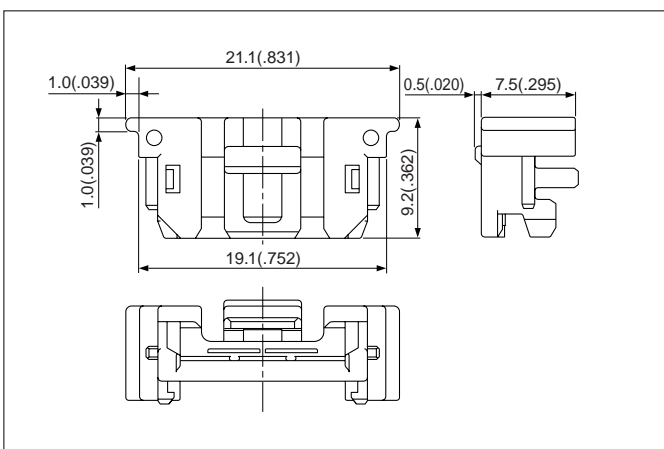
Connectors for FPC and FFC

Plug housing



Circuits	Model No.	Q'ty/box
10	FOXP-10K	500
Material		
Glass-filled PPS, black		

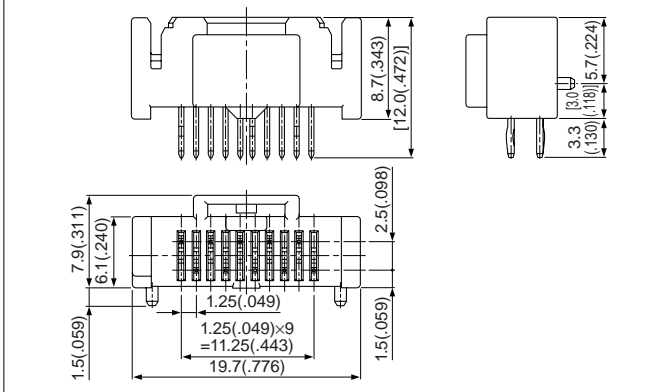
Retainer



Circuits	Model No.	Q'ty/bag
10	FOXS-10K	500
Material		
Glass-filled PPS, black		

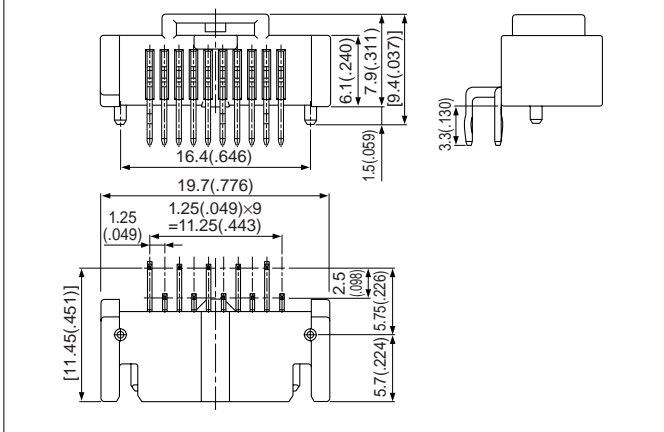
Header

• Top entry type



Circuits	Model No.		Q'ty/box
	Top entry type	Side entry type	
10	B10-FOXK-LF	S10-FOXK-LF	231
Material and Finish			
Terminal: Copper alloy, copper-undercoated, tin-plated (reflow treatment)			
Housing: Glass-filled PPS, black			

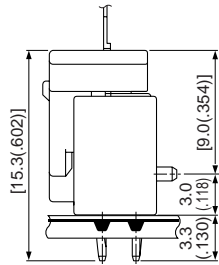
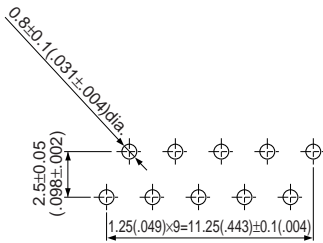
• Side entry type



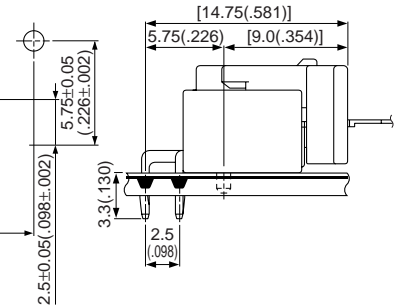
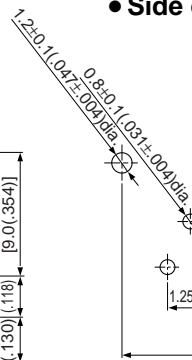
HIT
AIT
HCM
MIO
CPT
BMD
CIT
HIC
SQS
SQM
SQH
SQSI
SQW
SQF
SHUNT RING
FEL
FMT
FOX
CN
EA1
WPZ
JUNCTION BOX
INDEX

PC board layout and Assembly layout

• Top entry type



• Side entry type



- Note: 1. Tolerances are non-cumulative: $\pm 0.05\text{mm}$ ($\pm 0.002''$) for all centers.
 2. Hole dimensions differ according to the kind of PC board and piercing method.
 The dimensions above should serve as a guideline. Contact JST for details.

Lead section dimensions of FPC

