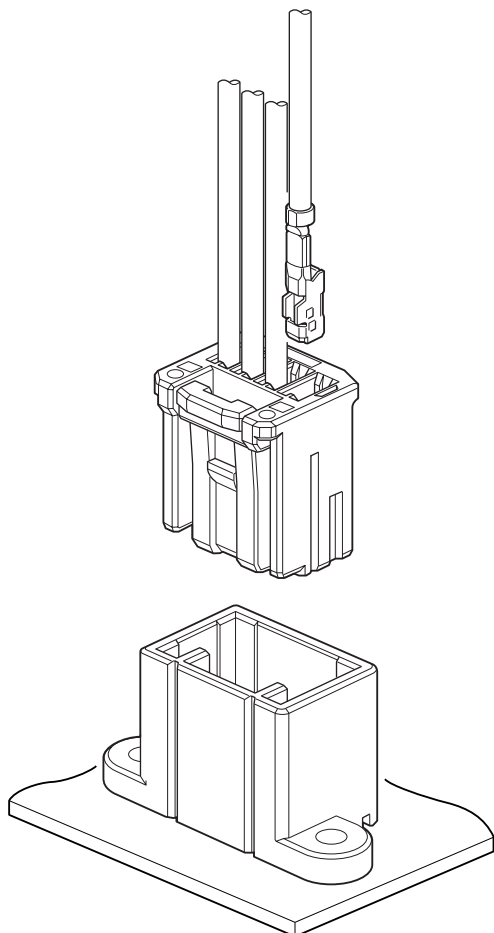


0.64 non-waterproof low profile type connector for automobile corresponding to the miniaturization of the automotive electrical equipment. Comply with the performance specification for automotive electrical connector systems, and corresponds to various purposes and mounting design.



Features

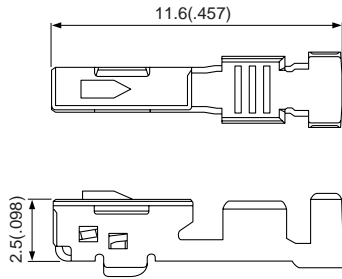
- **Low profile, Miniaturization in the direction of mating**
Using the short length female terminal, low profile in the direction of mating is realized
- **Variations**
We have an abundant variation of PC board lock mechanism, lock type, wire-to-wire type and so on, according to your needs.
- **Reliability and achievement**
Ensuring the reliabilities of an indispensable characteristic and mechanism etc. to the connector for automobile, this product has several adoption results proven in automotive electrical equipment miniaturized rapidly.

Specifications

- Current rating: 5A AC, DC (0.5mm², Single circuit)
- Voltage rating: 14V AC, DC
- Temperature range: -40°C to +100°C
(including temperature rise in applying electrical current)
- Contact resistance: Initial value/20mΩ max.
After environmental testing/20mΩ max.
- Insulation resistance: 20MΩ min.
- Withstanding voltage: 1,000V AC/minute
- Applicable wire: SE/ AVSS/ CAVS
0.3mm² to 0.5mm²

* Contact JST if Lead-Free product is required.
* Contact JST for details.

Female terminal



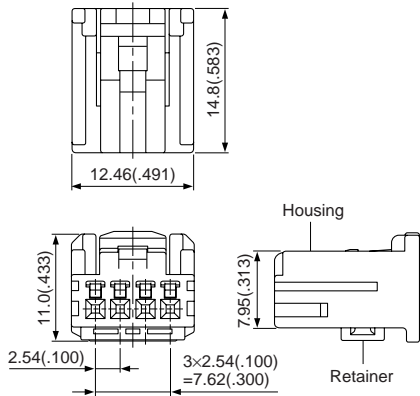
Model No.	Applicable wire range		Q'ty/reel
	Conductor (mm ²)	Insulation O.D. mm(in.)	
SHCM-A03T-P025	0.3 to 0.5	1.4 to 2.1 (.055 to .083)	5,000
SHCM-A04T-P025	0.2	1.2 to 1.7 (.047 to .067)	5,000

Material and Finish

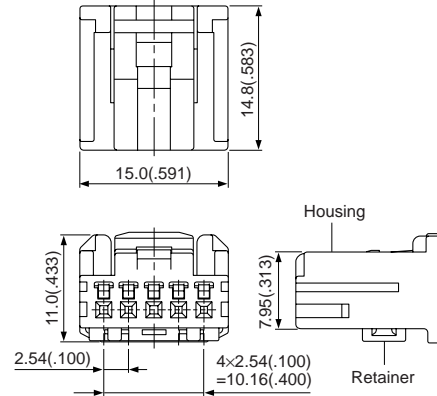
Copper alloy, tin-plated (reflow treatment)

Female connector

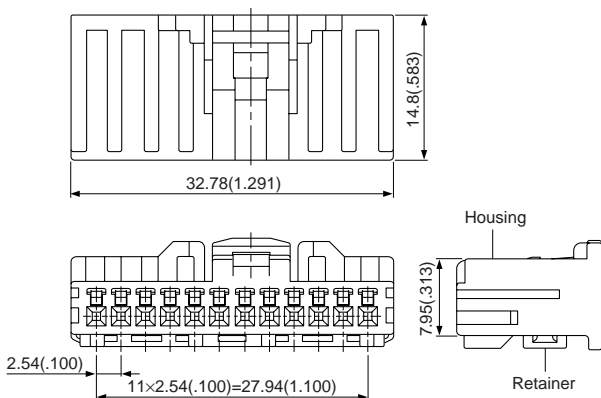
• Inner lock type



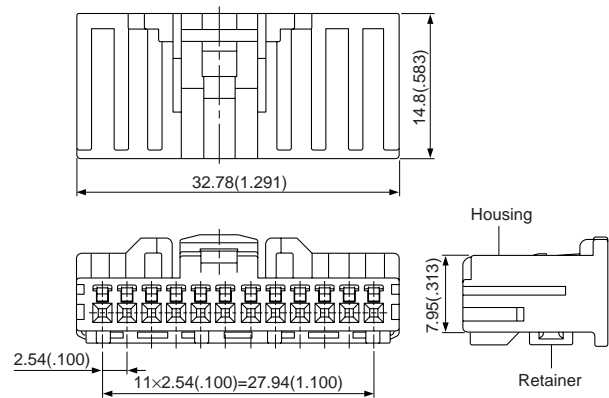
HCMPB-04-S



HCMPB-A05-S



HCMPB-12-S



HCMPB-A12-S

Type	Circuits	Model No.	Q'ty/box
Inner lock	4	HCMPB-04-S	600
	5	HCMPB-A05-S	500
	12	HCMPB-12-S	200
	12	HCMPB-A12-S	200

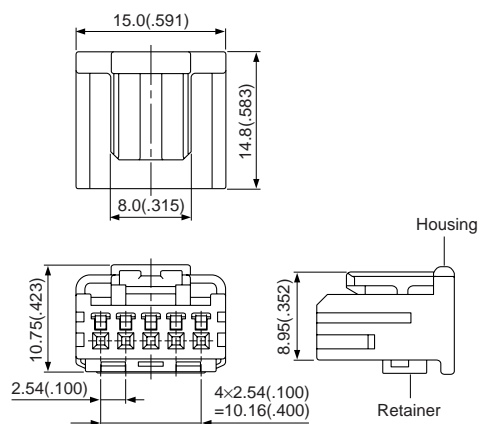
Material

Housing: PBT, natural (white)
Retainer: PBT, blue

HIT
AIT
HCM
MIO
CPT
BMD
CIT
HIC
SQS
SQM
SQH
SQSI
SQW
SQF
SHUNTING
FEL
FMT
FOX
CN
EA1
WPZ
JUNCTION BOX
INDEX

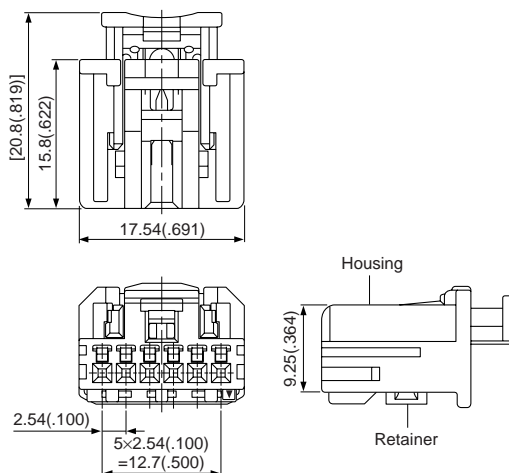
Female connector

• Outer lock type



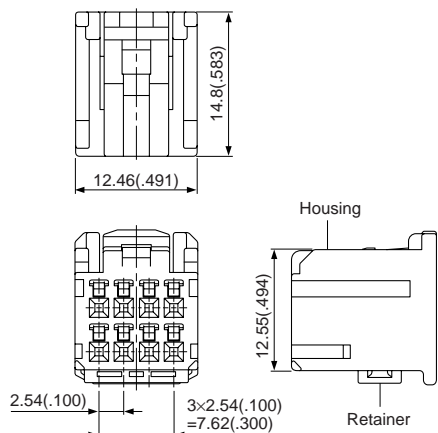
HCMPB-05-S

• W/CPA type



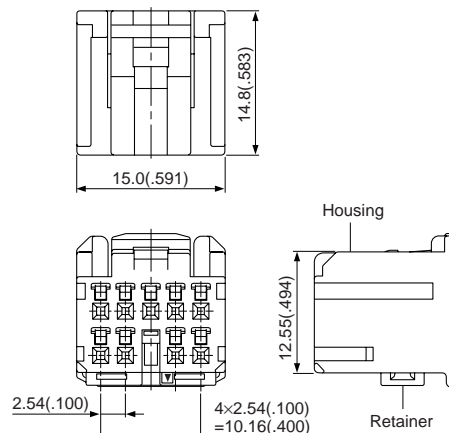
HCMPB-C06-S

• Double-row type



HCMDPB-08-S

• Double-row type



HCMDPB-09-S

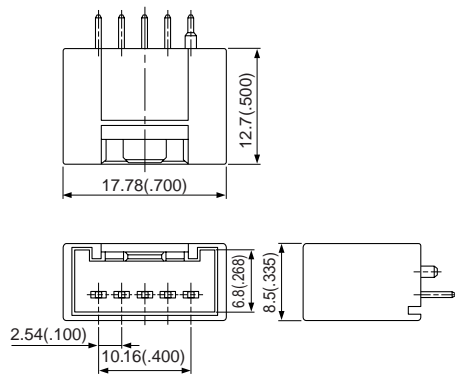
Type	Circuits	Model No.	Q'ty/box
Outer lock	5	HCMPB-05-S	500
W/CPA	6	HCMPB-C06-S	300
Double-row	8	HCMDPB-08-S	400
Double-row	9	HCMDPB-09-S	400

Material			
Housing: PBT, natural (white)			
Retainer: PBT, blue			
CPA housing (Only for 6 circuits): Glass-filled PBT, red			

Header

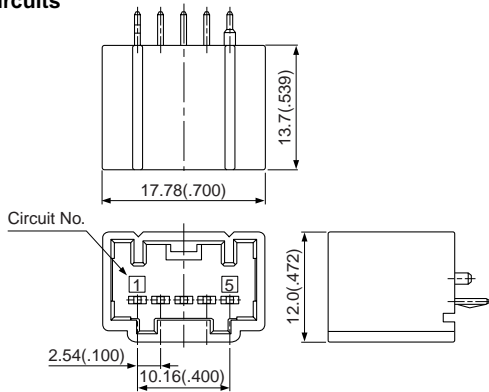
Top entry type

• Inner lock type

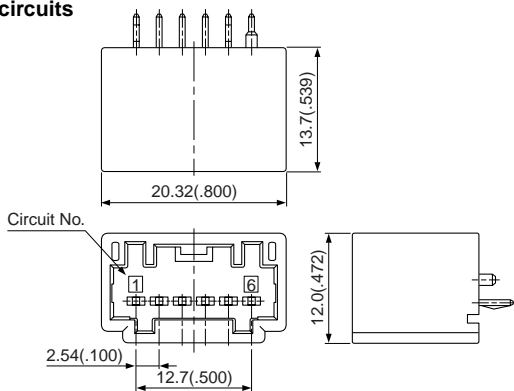


• Outer lock type

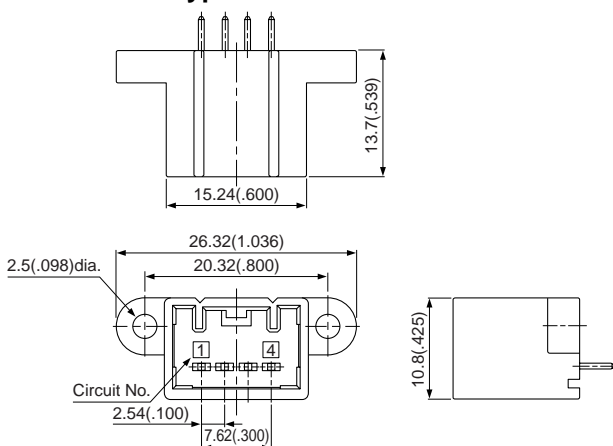
5 circuits



6 circuits



• Screw hole type



Circuits	Model No.	Q'ty/box
5	B05B-HCMSS-R	433

Material and Finish

Pin: Brass, nickel-undercoated, tin-plated (reflow treatment)
Housing: Glass-filled PBT, natural (white)

Circuits	Model No.	Q'ty/box
5	B05B-AHCMSK	288
6	B06B-HCMSK	240

Material and Finish

Pin: Brass, nickel-undercoated, tin-plated (reflow treatment)
Housing: Glass-filled PBT, natural (white)

Circuits	Model No.	Q'ty/box
4	B04B-HCMSS-RA	300

Material and Finish

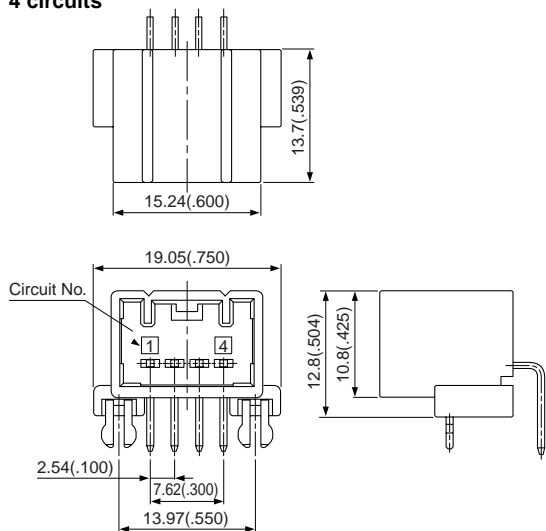
Pin: Brass, nickel-undercoated, tin-plated (reflow treatment)
Housing: Glass-filled PBT, natural (white)

Header

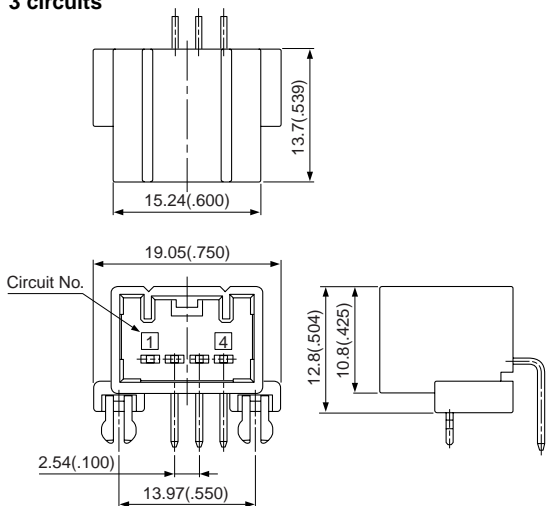
Side entry type

● Hook pin type

4 circuits



3 circuits



Circuits	Model No.	Q'ty/box
4	S04B1-HCMSS	165
3	S04B1A-HCMSS	165

Material and Finish

Pin: Brass, nickel-undercoated, tin-plated (reflow treatment)

Housing: Glass-filled PBT, natural (white)

Reinforcement: Brass, nickel-undercoated, tin-plated (reflow treatment)

HIT

AIT

HCM

MIO

CPT

BMD

CIT

HIC

SQS

SQM

SQH

SQSI

SQSI

SQW

SQF

SHUNT RING

FEL

FMT

FOX

CN

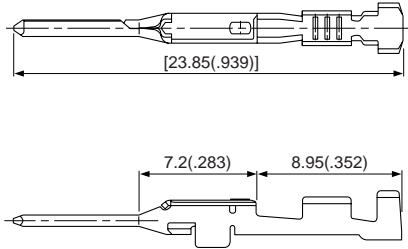
EA1

WPZ

JUNCTION BOX

INDEX

Male terminal

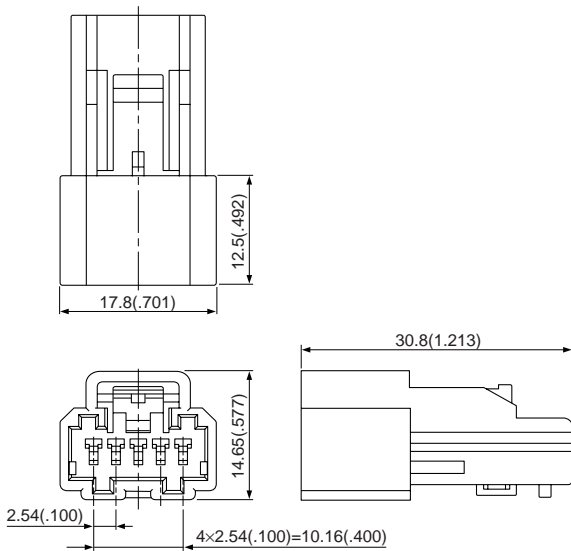


Model No.	Applicable wire range		Q'ty/reel
	Conductor (mm ²)	Insulation O.D. mm(in.)	
SHCMW-A03T-040	0.3 to 0.5	1.4 to 2.1 (.055 to .083)	5,000

Material and Finish

Brass, tin-plated (reflow treatment)

Male connector

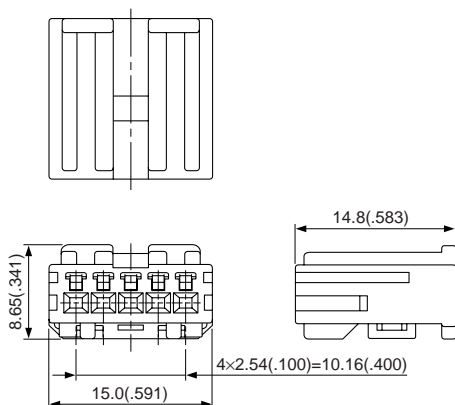


Circuits	Model No.	Q'ty/bag
5	HCMWSB-05-K	200

Material

PBT, black

Female connector

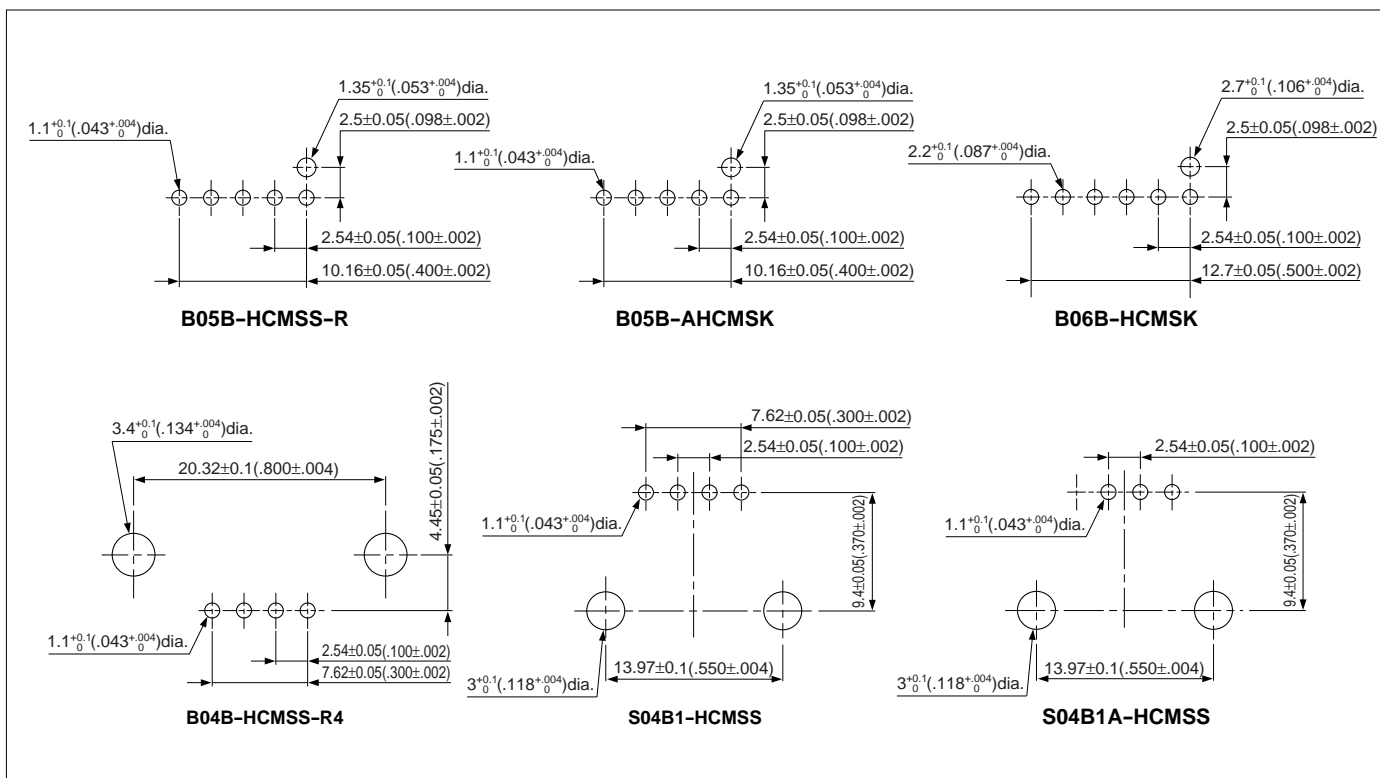


Circuits	Model No.	Q'ty/bag
5	HCMWPB-05-K	500

Material

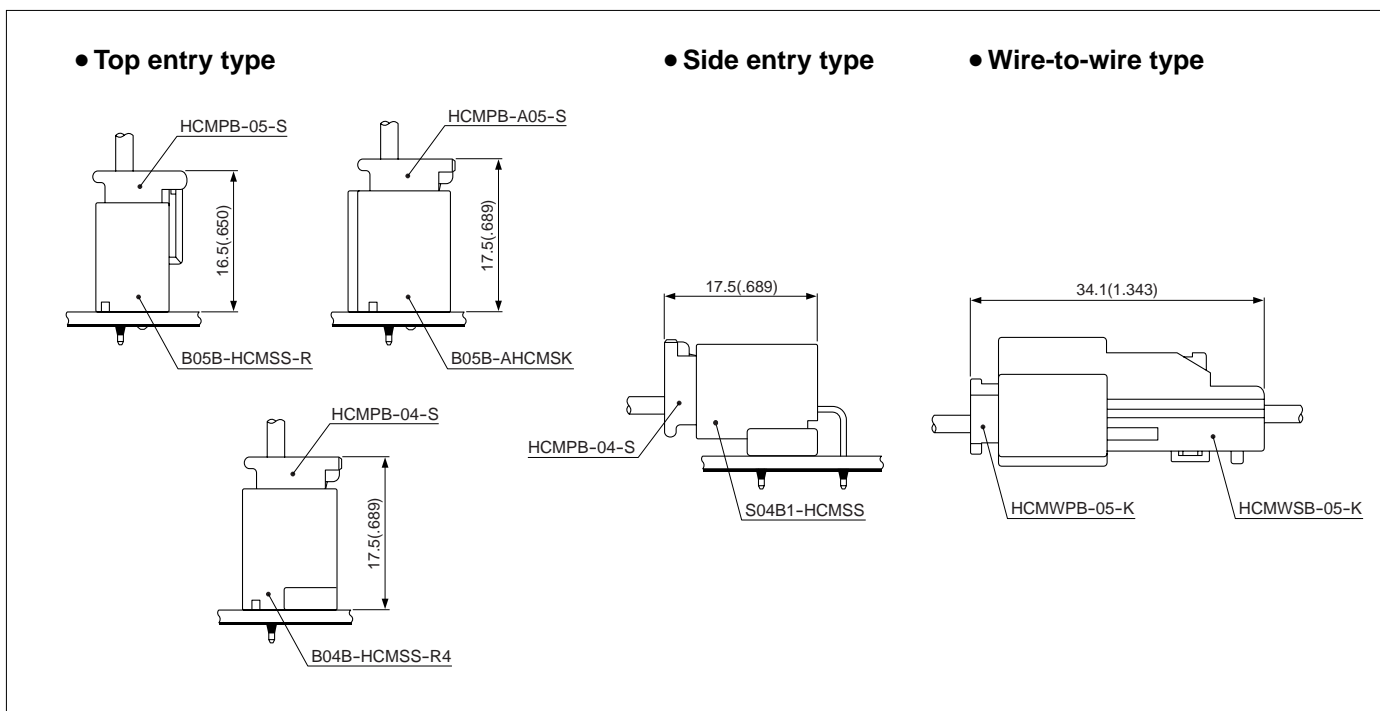
PBT, black

PC board layout



Note: 1. Tolerances are non-cumulative: $\pm 0.05\text{mm}$ ($\pm .002''$) for all centers.
 2. Hole dimensions differ according to the kind of PC board and piercing method.
 The dimensions above should serve as a guideline. Contact JST for details.

Assembly layout



Crimping machine, Applicator

Strip terminal	Crimping machine	Crimp applicator MKS-L	
		Dies	Crimp applicator with dies
SHCM-A03T-P025	AP-K2N	MK/SHCM-A03-025	APLMK SHCM-A03-025
SHCM-A04T-P025		MK/SHCM-A04-025	APLMK SHCM-A04-025

Note: When crimping operation is conducted by using other than above applicator and die set, JST cannot guarantee the performance of connector.