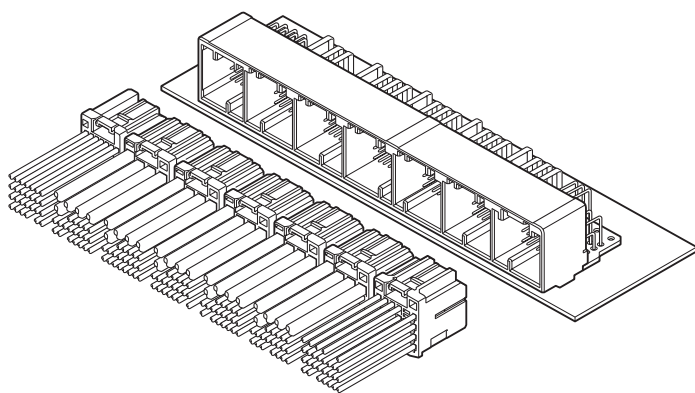


The HIT connector is multi-circuit and miniaturized for ECU for the automobile.

Female connector is divided into seven housings, and considers the ergonomics and workability.



Features

●Multi-circuit structure, Miniaturized

Current products available are up to 180-circuit. Although this connector is multi-circuit, it was miniaturized by narrow pitch. The insertion force in the mating operation of one time is decreased by block division structure.

●Reliability

It conforms to the automotive performance evaluation standard.

●Diversity

It is hybrid structures of using 0.64mm(.025") and 2.8mm(.110") terminals. Large current circuit is also available.

Specifications

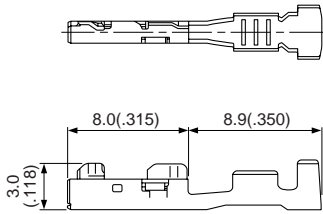
- Current rating: 0.64/5A AC, DC (0.5mm², Single circuit)
2.8/25A AC, DC (5mm², Single circuit)
- Voltage rating: 14V AC, DC
- Temperature range: -40°C to +100°C
(including temperature rise in applying electrical current)
- Contact resistance: 0.64 Initial value/20mΩ max.
After environmental testing/20mΩ max.
2.8 Initial value/5mΩ max.
After environmental testing/5mΩ max.
- Insulation resistance: 20MΩ min.
- Withstanding voltage: 1,000V AC/minute
- Applicable wire: TXL/ AVSS/ CAVS
0.64/0.3mm² to 0.85mm²
2.8/0.85mm² to 5.0mm²

* Contact JST if Lead-Free product is required.

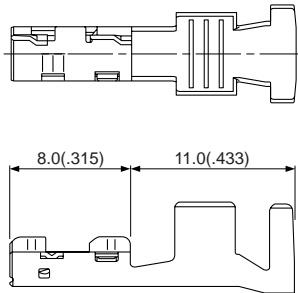
* Contact JST for details.

Female terminal

• 0.64 female terminal



• 2.8 female terminal



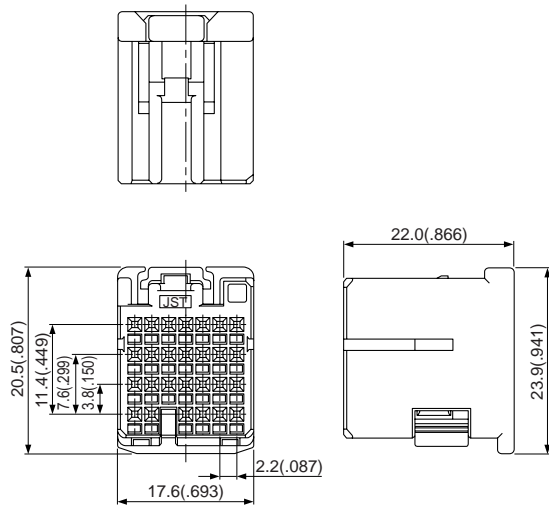
Kind of terminal	Model No.	Applicable wire	Q'ty/reel
		Conductor(mm ²)	
0.64S	SNAC3-A021T-M0.64	0.3 to 0.5	5,000
0.64M	SNAC3-A031T-M0.64	0.5 to 0.85	5,000
2.8S	SNAC-A061T-M2.8	0.85 to 1.3	3,000
2.8M	SNAC-A081T-M2.8	2.0 to 3.3	2,500
2.8L	SNAC-A091T-M2.8	3.0 to 5.0	2,000

Material and Finish

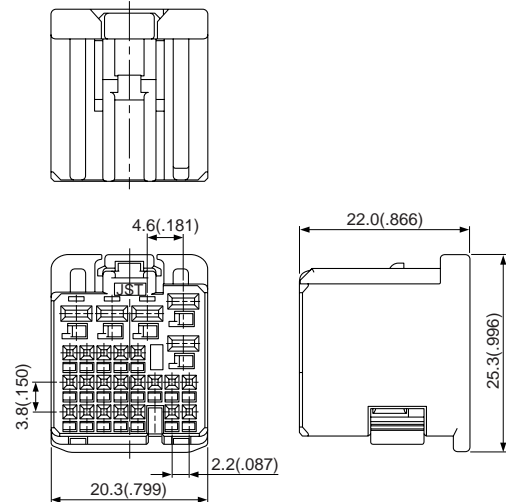
Copper alloy, tin-plated (reflow treatment)

Female connector

• A Block

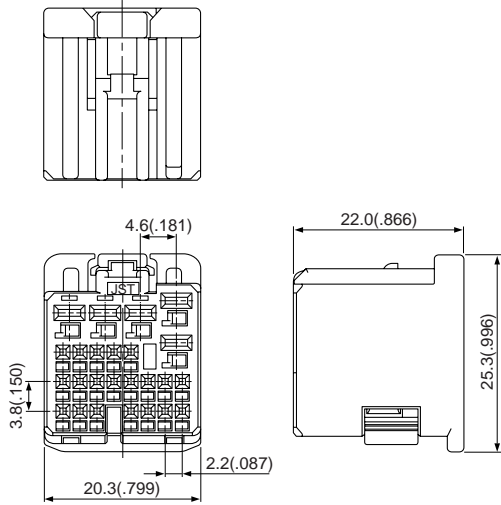


• B Block

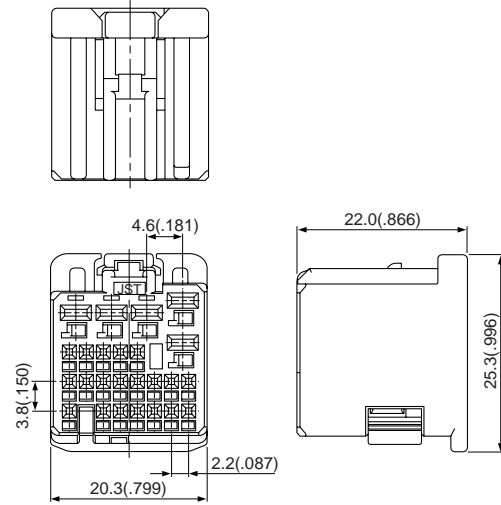


Female connector

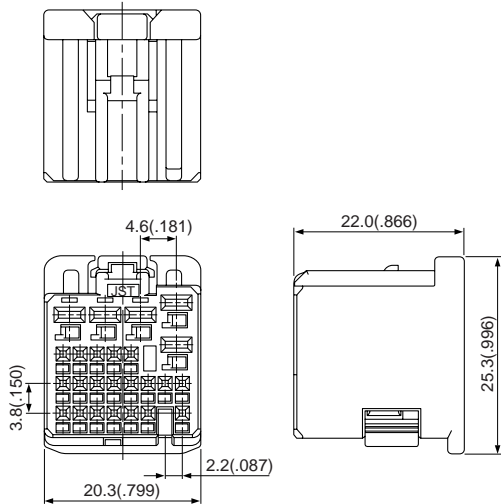
• C Block



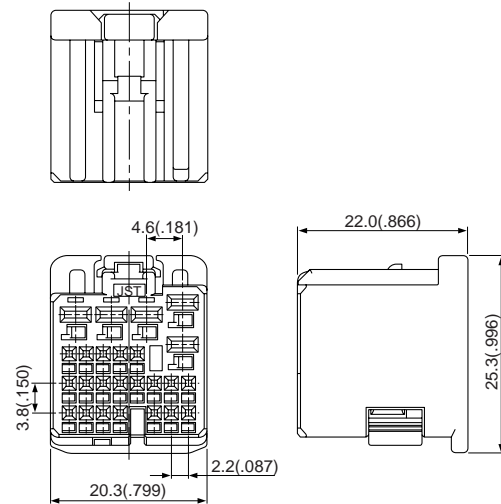
• D Block



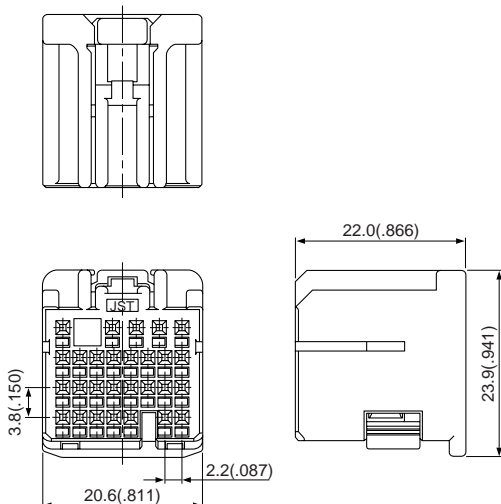
• E Block



• F Block



• G Block



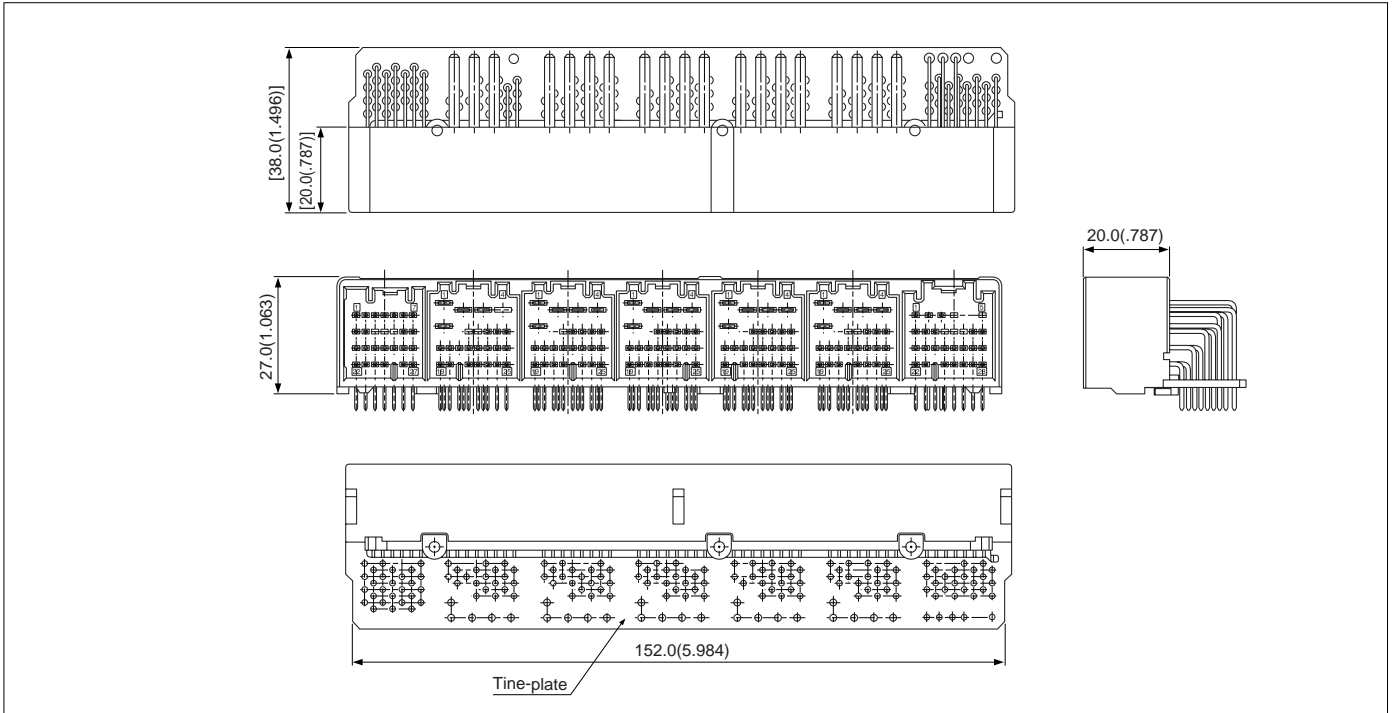
Type	Circuits	Model No.	Q'ty/box	Color	
				Housing	Retainer
A Block	27	HITPB-27-A-LM	96	Light green	Blue
B Block	25	HITPB-25-B-S	80	Natural (white)	Blue
C Block	25	HITPB-25-C-LE	80	Light blue	Blue
D Block	25	HITPB-25-D-K	80	Black	Blue
E Block	25	HITPB-25-E-N	80	Brown	Blue
F Block	25	HITPB-25-F-PK	80	Pink	Blue
G Block	28	HITPB-28-G-H	80	Grey	Blue

Material

Housing: PBT
Retainer: PBT

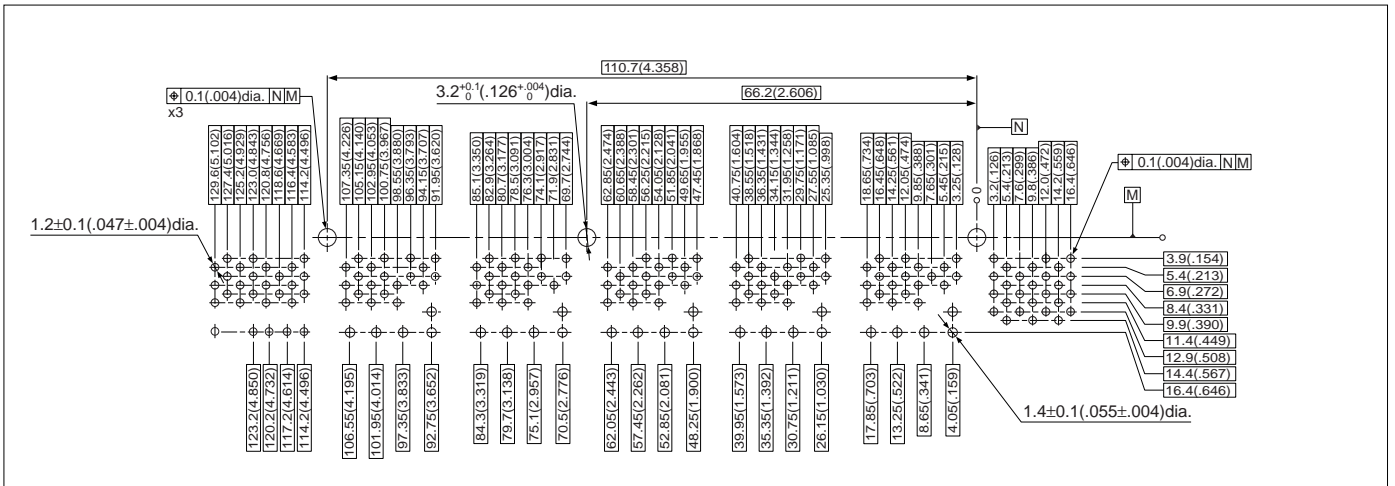
Note: Contact JST for other circuits.

Header



Circuits	Model No.	Q'ty/box
169	S169B-HITHTP-01A	105
Material and Finish		
Housing: Glass-filled PBT		
Tine-plate: Glass-filled PBT		
Signal pin: Brass, nickel-undercoated, tin-plated (reflow treatment)		
Power pin: Copper alloy, nickel-undercoated, tin-plated (reflow treatment)		

PC board layout



Crimping machine, Applicator, Hand crimp tool

Strip terminal	Crimping machine	Crimp applicator MKS-L		Hand crimp tool
		Dies	Crimp applicator with dies	
SNAC3-A021T-M0.64	AP-K2N	MK/SNAC3-A021-064	APLMK SNAC3-A021-064	YRS-1003
SNAC3-A031T-M0.64		MK/SNAC3-A031-064	APLMK SNAC3-A031-064	YRS-1012
SNAC-A061T-M2.8		MK/SNAC-A061-28	APLMK SNAC-A061-28	—
SNAC-A081T-M2.8		MK/SNAC-A081-28	APLMK SNAC-A081-28	—
SNAC-A091T-M2.8		MK/SNAC-A091-28	APLMK SNAC-A091-28	—

Note: When crimping operation is conducted by using other than above applicator and die set, JST cannot guarantee the performance of connector.