

Low profile type connector for interface of automotive electrical equipment.

Features

● **Low profile**

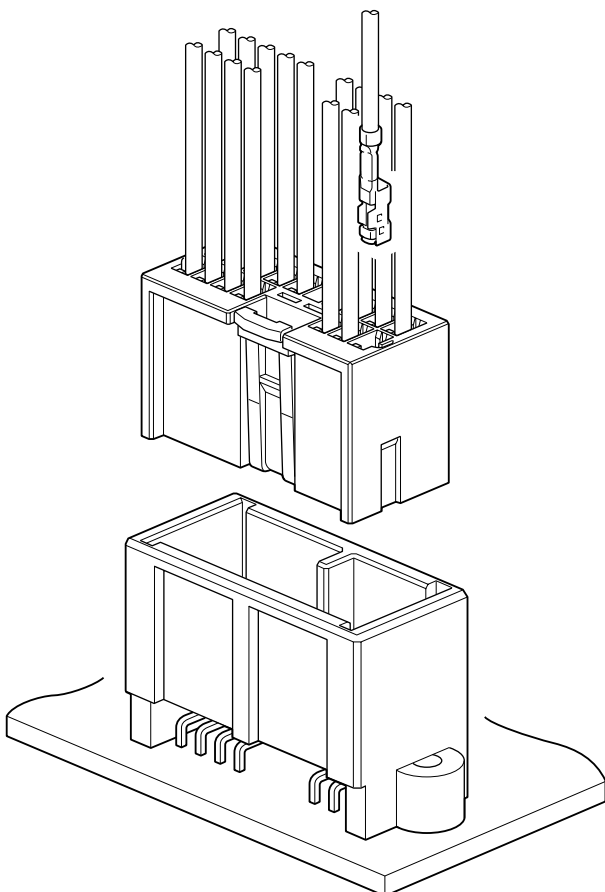
Using the short length female terminal, low profile is realized.

● **Solder crack prevention configuration**

Pin configuration of PC board side connector is designed for solder crack prevention.

● **Reliability**

Various ideas, such as prevention mechanism for excessive deformed female terminal, detection for incomplete inserted terminal by side retainer, improved terminal retention force, and the anti-misinsertion structure, are included in this connector.

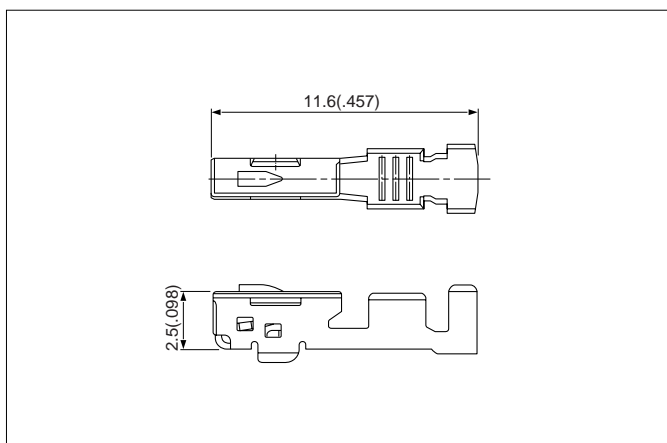


Specifications

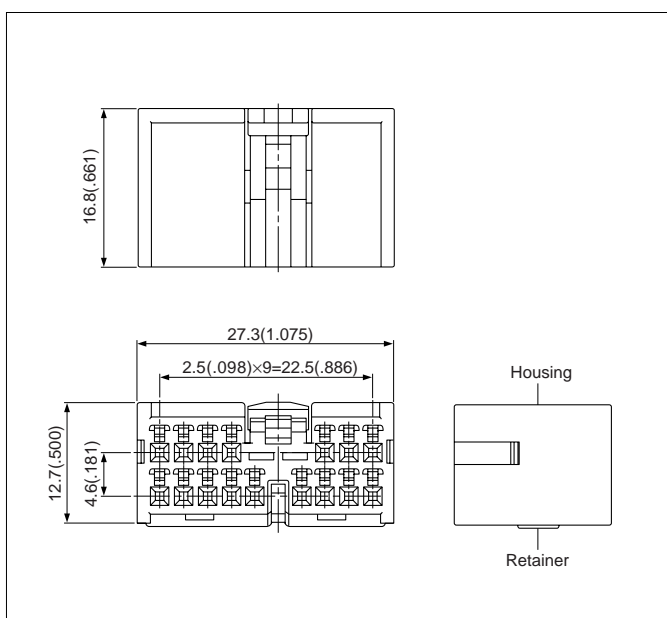
- Current rating: 5A AC, DC (0.5mm², Single circuit)
- Voltage rating: 12V AC, DC
- Temperature range: -40°C to +105°C
(including temperature rise in applying electrical current)
- Contact resistance: Initial value/5mΩ max.
After environmental testing/10mΩ max.
- Insulation resistance: 100MΩ min.
- Withstanding voltage: 1,000V AC/minute
- Applicable wire: SE/ AVSS/ CAVS
0.3mm² to 0.5mm²

* Contact JST if Lead-Free product is required.
* Contact JST for details.

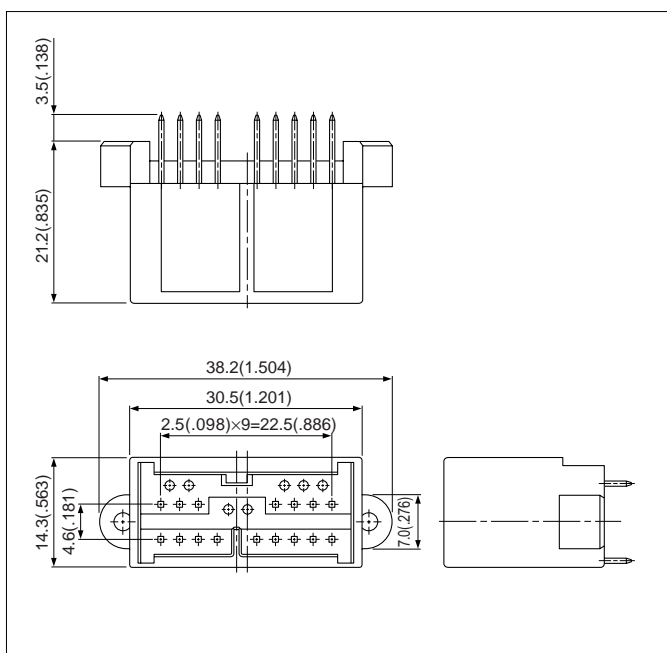
Female terminal



Female connector



Header



Model No.	Applicable wire range		Q'ty/reel
	Conductor (mm ²)	Insulation O.D. mm(in.)	
SHCM-A03T-P025	0.3 to 0.5	1.4 to 1.8 (.055 to .071)	5,000
SHCM-A04T-P025	0.2	1.23 (.048)	5,000

Material and Finish

Copper alloy, tin-plated (reflow treatment)

Circuits	Model No.	Q'ty/bag
16	MIOPB-16-SS	100

Material

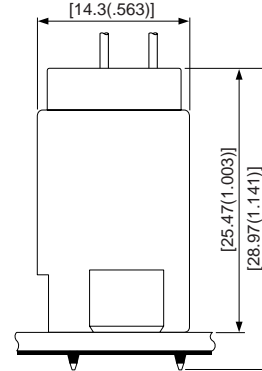
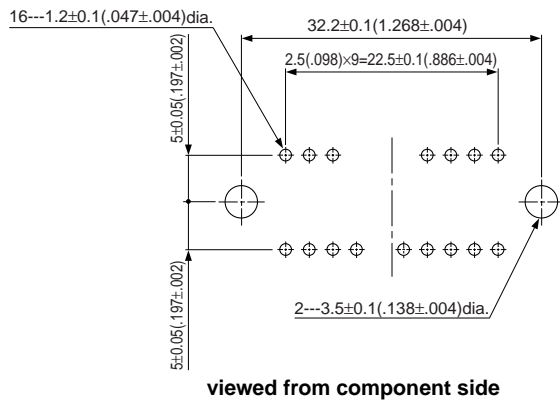
Housing: PBT, natural (white)
Retainer: PBT, natural (white)

Circuits	Model No.	Q'ty/box
16	B16B-MIOS	80

Material and Finish

Pin: Brass, copper-undercoated, tin-plated (reflow treatment)
Housing: PBT, natural (white)

PC board layout, Assembly layout



- Note: 1. Tolerances are non-cumulative: $\pm 0.05\text{mm}$ ($\pm .002''$) for all centers.
 2. Hole dimensions differ according to the kind of PC board and piercing method.
 The dimensions above should serve as a guideline. Contact JST for details.

Crimping machine, Applicator

Strip terminal	Crimping machine	Crimp applicator MKS-L	
		Dies	Crimp applicator with dies
SHCM-A03T-P025	AP-K2N	MK/SHCM-A03-025	APLMK SHCM-A03-025
SHCM-A04T-P025		MK/SHCM-A04-025	APLMK SHCM-A04-025

Note: When crimping operation is conducted by using other than above applicator and die set, JST cannot guarantee the performance of connector.

HIT
AIT
HCM
MIO
CPT
BMD
CIT
HIC
SQS
SQM
SQH
SQSII
SQW
SQF
SHUNT RING
FEL
FMT
FOX
CN
EA1
WPZ
JUNCTION BOX
INDEX