

SHUNT RING

Squib connectors

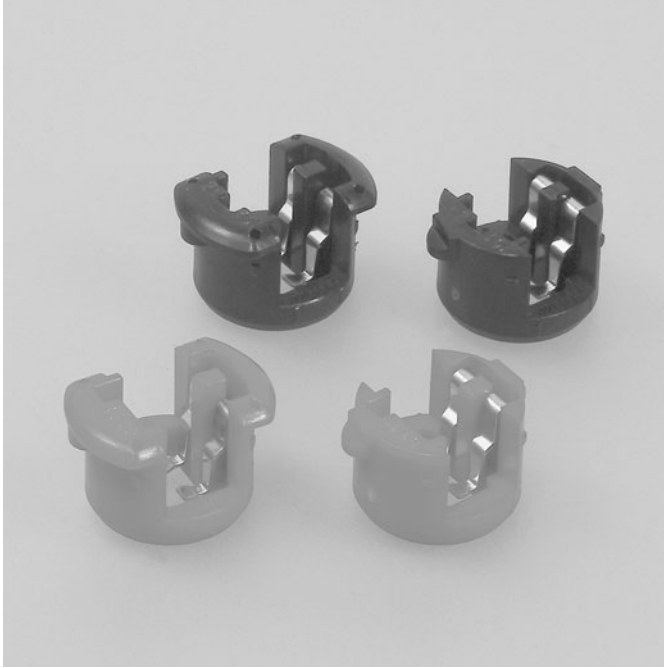
Features

● Scooping (kojiri) preventive construction

Using a shunt ring with a mating harness connector, the resistance to scooping (kojiri) insertion and withdrawal on the assembly line is improved.

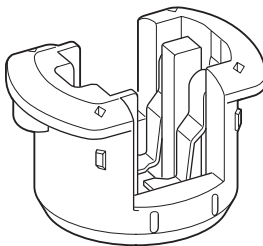
● VDA standard type

Shunt rings conforming to VDA standard are available in various keying codes and colors.

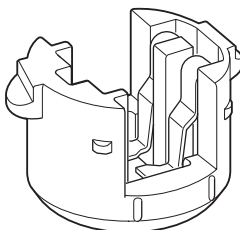


Connector for an inflator. This connector is available in various types and colors of scooping (kojiri) preventive type and VDA standard type.

● Anti-scooping (kojiri) type



● VDA standard type



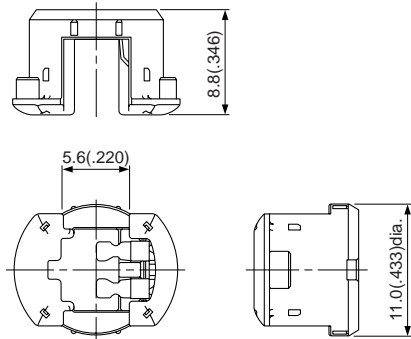
Specifications

- Temperature range: -30°C to $+80^{\circ}\text{C}$
(including temperature rise in applying electrical current)
- Insulation resistance: $100\text{M}\Omega$ min.

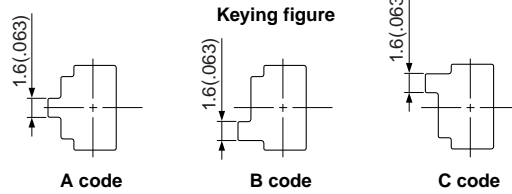
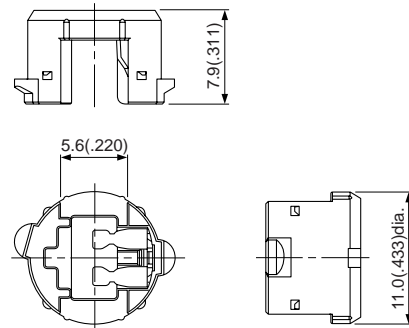
* Contact JST if Lead-Free product is required.
* Contact JST for details.

Shunt ring

• Anti-scooping (kojiri) type



• VDA standard type



Type	Model No.	Q'ty/box	Color	
Anti-scooping (kojiri) type	A code	02-SQS-GF-1A-K	3,000	Black
		02-SQS-GF-1A-Y	3,000	Yellow
		02-SQS-GF-1A-LP	3,000	Light purple
	B code	02-SQS-GF-1A-N	3,000	Brown
		02-SQS-GF-1A-E	3,000	Blue
		02-SQS-GF-1B-M	3,000	Green
C code	02-SQS-GF-1C-D	3,000	Orange	
VDA standard type	A code	02-SQS-GF-2A-K	10,000	Black
		02-SQS-GF-2A-R	10,000	Red
		02-SQS-GF-2A-E	10,000	Blue
		02-SQS-GF-2A-Y	10,000	Yellow
		02-SQS-GF-2A-LP	10,000	Light purple
	B code	02-SQS-GF-2B-M	10,000	Green
		02-SQS-GF-2B-H	10,000	Gray
	C code	02-SQS-GF-2C-MK	10,000	Mikan
		02-SQS-GF-2C-P	10,000	Purple
		02-SQS-GF-2C-D	10,000	Orange

Material and Finish

Terminal: Copper alloy, nickel-undercoated, Mating part; gold-plated
Housing: Glass-filled PBT