



This connector for air-bag is simple, compact and not easy to come off without CPA.

## Features

### ● Compact design

Miniaturized in total length and height compared to the conventional connector for air-bag. This connector can fit in the outer diameter 20mm (.787") or less of an inflator.

### ● Mating

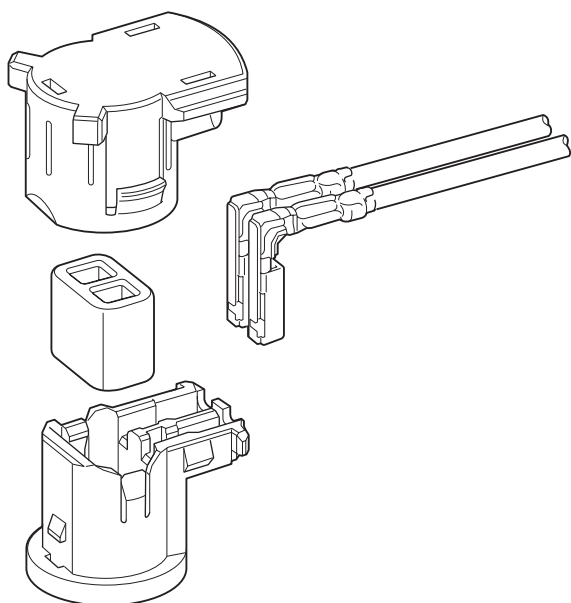
Designed to fit into the fit-in type inflator pocket.

### ● Terminal construction

It is designed to prevent the deformation of the contact part when processing wire harness by protecting the contact part of each terminal with a box.

### ● Noise suppression

Ferrite core provides simple and reliable noise suppression characteristics.

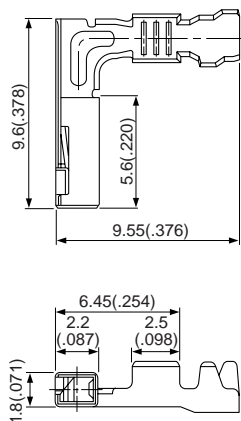


## Specifications

- Temperature range: -30°C to +80°C  
(including temperature rise in applying electrical current)
- Insulation resistance: 100MΩ min.
- Applicable wire: 0.3mm<sup>2</sup> to 0.5mm<sup>2</sup>

\* Contact JST if Lead-Free product is required.  
\* Contact JST for details.

### Female terminal

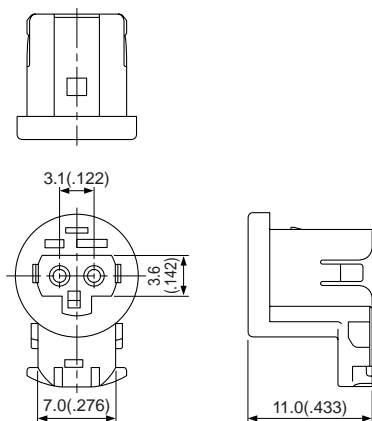


Model No.	Applicable wire range		Q'ty/reel
	Conductor (mm <sup>2</sup> )	Insulation O.D. mm(in.)	
<b>SSQF-A03GF-P-P</b>	0.3 to 0.5	1.0 to 1.6 (.039 to .063)	6,500

#### Material and Finish

Copper alloy, nickel-undercoated, Mating part: gold-plated

### Female housing

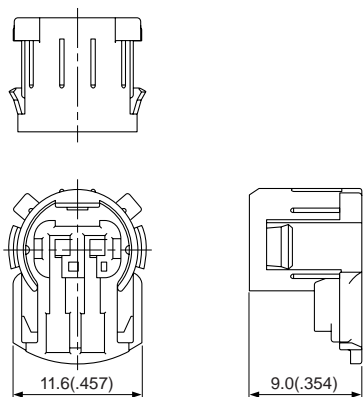


Model No.	Q'ty/box	Color
<b>SQFR-02H-1A-Y</b>	1,000	Yellow
<b>SQFR-02H-1B-M</b>	1,000	Green
<b>SQFR-02H-1C-D</b>	1,000	Orange

#### Material

PBT

### Cover housing

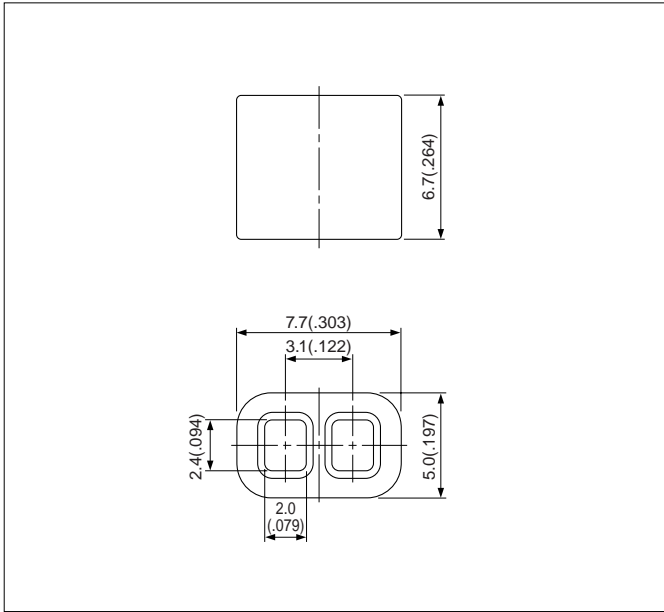


Model No.	Q'ty/box	Color
<b>SQFL-02H-1A-Y</b>	1,000	Yellow
<b>SQFL-02H-1B-M</b>	1,000	Green
<b>SQFL-02H-1C-D</b>	1,000	Orange

#### Material

PBT

## Ferrite



Model No.	Q'ty/box
<b>SQFF-02-1A</b>	1,000

## Crimping machine, Applicator

Strip terminal	Crimping machine	Crimp applicator MKS-L	
		Dies	Crimp applicator with dies
<b>SSQF-A03GF-P-P</b>	AP-K2N	MK/SQS-A03-P	APLMK SQS-A03-P

Note: When crimping operation is conducted by using other than above applicator and die set, JST cannot guarantee the performance of connector.