

SQH CONNECTOR

Squib connectors

Features

● Compact design

This connector is approximately 13mm(.512") smaller than the SQS connector in total length [31.3mm(1.232")→18mm(.709")]. This connector can fit in the outer diameter 25mm(.984") or less of an inflator.

● Mating

Intelligent CPA adopted. It enables the connector to be locked securely and prevents incomplete mating on the assembly line resulting in improved connector retention force.

● Terminal construction

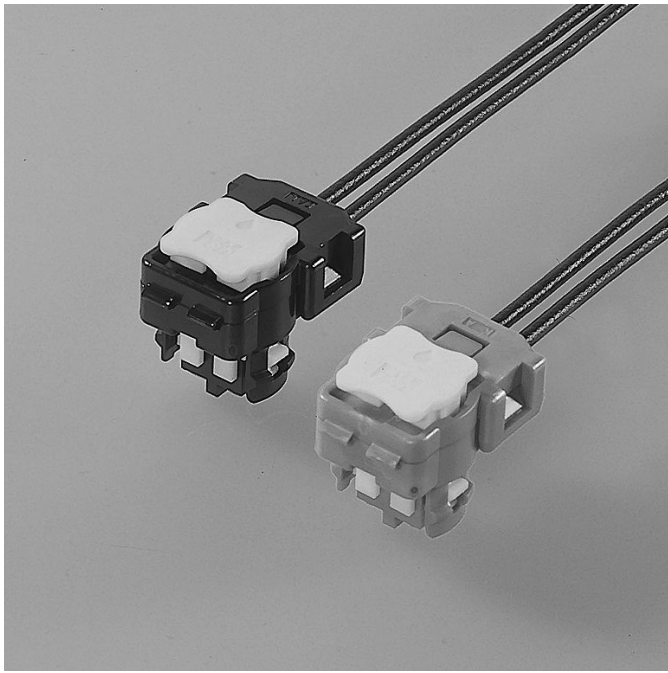
It is designed to prevent the deformation of the contact part when processing wire harness by protecting the contact part of each terminal with a box.

● Scooping (kojiri) preventive construction

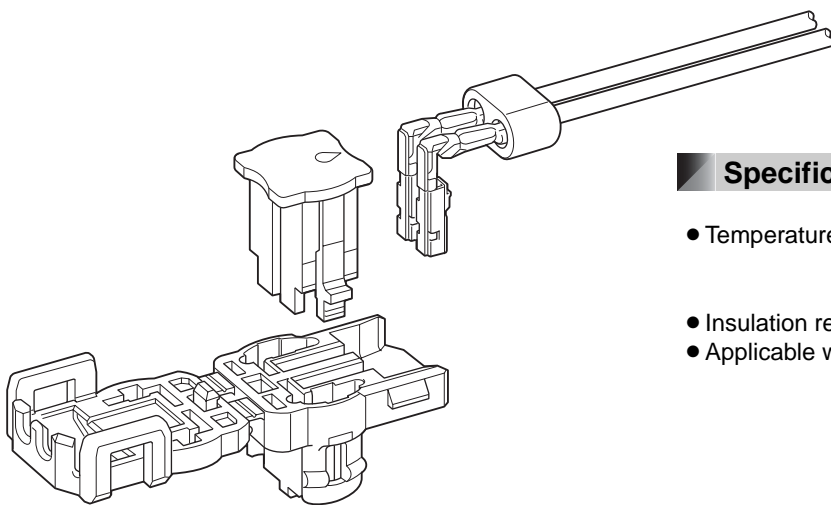
Using a shunt ring with a countermeasure for scooping (kojiri), the resistance to scooping (kojiri) insertion and withdrawal is improved.

● Noise suppression

Ferrite core provides simple and reliable noise suppression characteristics.



This connector for air-bag has intelligent CPA, which allows locking the connector, incomplete mating detection and release of short-circuit at the same time.



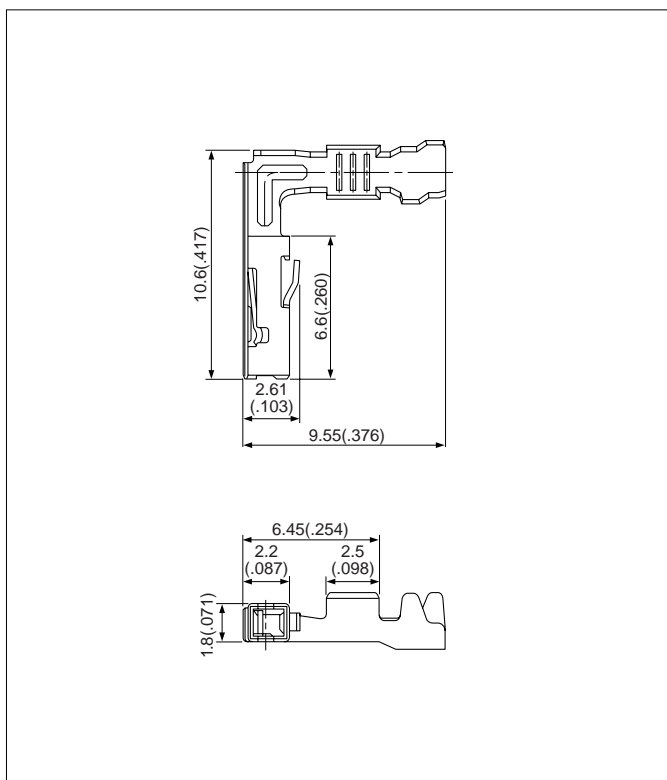
Specifications

- Temperature range: -30°C to +80°C
(including temperature rise in applying electrical current)
- Insulation resistance: 100MΩ min.
- Applicable wire: CAVS/ AVSS 0.3mm² to 0.5mm²

- * Contact JST if Lead-Free product is required.
- * Contact JST for details.

HT
AIT
HCM
MIO
CPT
BMD
CIT
HIC
SQS
SQM
SQH
SQSII
SQW
SQF
SHUNTRING
FEL
FMT
FOX
CN
EA1
WPZ
JUNCTIONBOX
INDEX

Female terminal

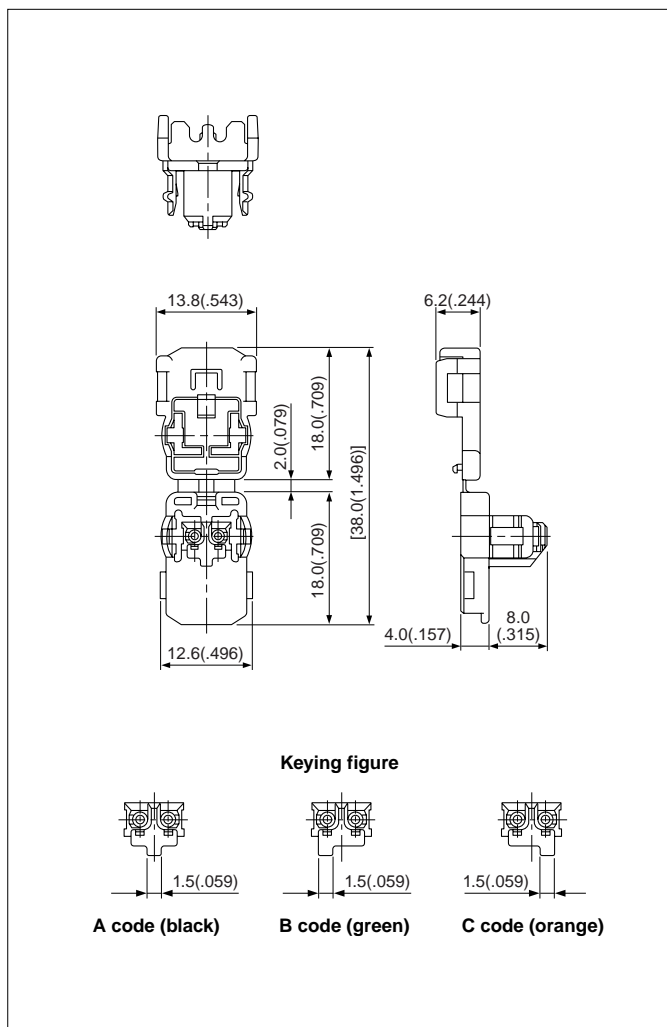


Model No.	Applicable wire range		Q'ty/reel
	Conductor (mm ²)	Insulation O.D. mm(in.)	
SQS-A03GF-P-P	0.3 to 0.5	1.0 to 1.6 (.039 to .063)	6,500
SQS-A03GG-P-P	0.3 to 0.5	1.0 to 1.6 (.039 to .063)	6,500
SQS-A03GI-P-P	0.3 to 0.5	1.0 to 1.6 (.039 to .063)	6,500

Material and Finish

GF: Copper alloy, nickel-undercoated, Mating part; gold-plated (0.4μm min.)
 GG: Copper alloy, nickel-undercoated, Mating part; gold-plated (0.4μm min.)
 Crimping part; tin-plated
 GI: Copper alloy, nickel-undercoated, Mating part; gold-plated (0.8μm min.)

Female housing



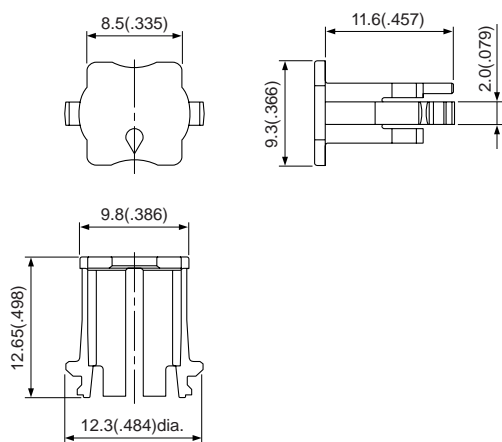
Model No.	Q'ty/box	Color
SQHR-02H-1A-K	1,500	Black
SQHR-02H-1B-M	1,500	Green
SQHR-02H-1C-D	1,500	Orange

Material

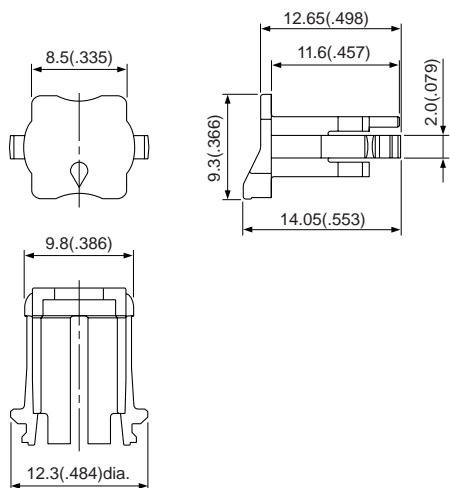
PBT

CPA housing

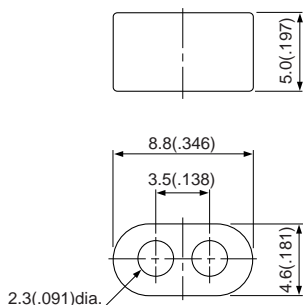
• SQSC-02H-1A-Y



• SQSC-02H-2A-Y



Ferrite



Crimping machine, Applicator

Strip terminal	Crimping machine	Crimp applicator MKS-L	
		Dies	Crimp applicator with dies
SQS-A03GF-P-P	AP-K2N	MK/SQS-A03-P	APLMK SQS-A03-P
SQS-A03GG-P-P			
SQS-A03GI-P-P			

Note: When crimping operation is conducted by using other than above applicator and die set, JST cannot guarantee the performance of connector.

Model No.	Q'ty/box	Color
SQSC-02H-1A-Y	2,000	Yellow
SQSC-02H-2A-Y	2,000	Yellow
Material		
Glass-filled PBT		

Model No.	Q'ty/box
SQMF-02-1A	1,000

HIT
AIT
HCM
MIO
CPT
BMD
CIT
HIC
SQS
SQM
SQH
SQSII
SQW
SQF
SHUNT RING
FEL
FMT
FOX
CN
EA1
WPZ
JUNCTION BOX
INDEX