

This connector for air-bag has intelligent CPA, which allows locking the connector, incomplete mating detection and release of short-circuit at the same time.

Features

● Compact design

This connector is approximately 13mm(.512") smaller than the SQS connector in total length [31.3mm(1.232")→18mm(.709")].

● Mating

Intelligent CPA adopted. It enables the connector to be locked securely and prevents incomplete mating on the assembly line resulting in improved connector retention force.

● Terminal construction

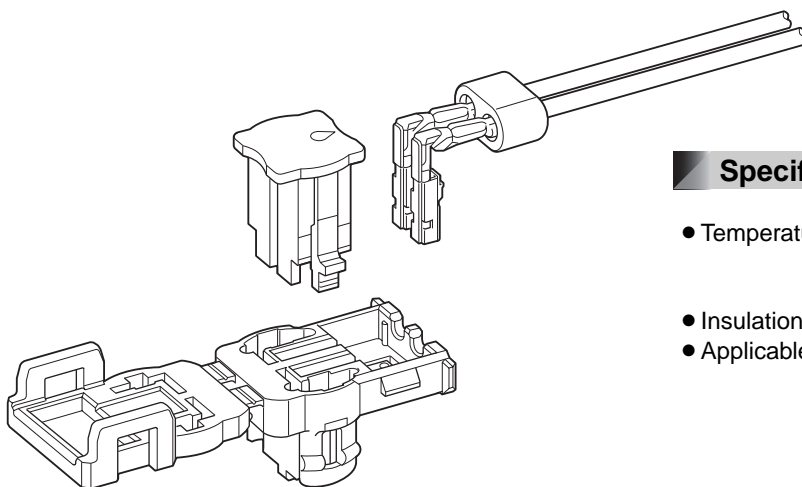
It is designed to prevent the deformation of the contact part when processing wire harness by protecting the contact part of each terminal with a box.

● Scooping (kojiri) preventive construction

Using a shunt ring with a countermeasure for scooping (kojiri), the resistance to scooping (kojiri) insertion and withdrawal is improved.

● Noise suppression

Ferrite core provides simple and reliable noise suppression characteristics.

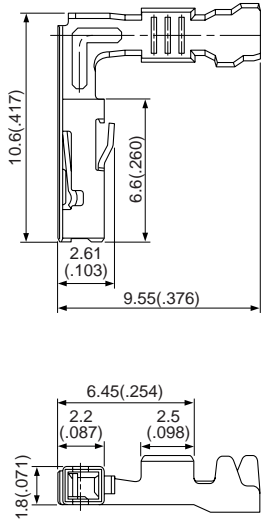


Specifications

- Temperature range: -30°C to +80°C
(including temperature rise in applying electrical current)
- Insulation resistance: 100MΩ min.
- Applicable wire: 0.3mm² to 0.5mm²

* Contact JST if Lead-Free product is required.
* Contact JST for details.

Female terminal

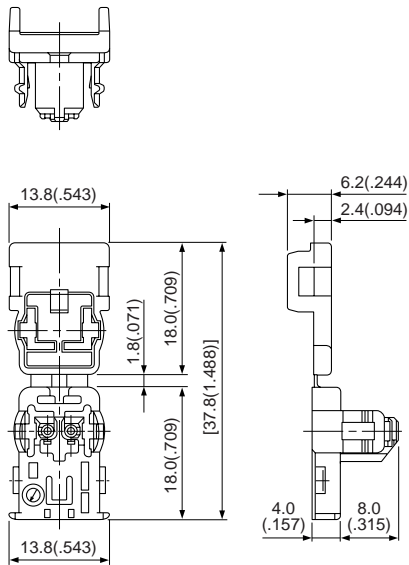


Model No.	Applicable wire range		Q'ty/reel
	Conductor (mm ²)	Insulation O.D. mm(in.)	
SQS-A03GF-P-P	0.3 to 0.5	1.0 to 1.6 (.039 to .063)	6,500
SQS-A03GG-P-P	0.3 to 0.5	1.0 to 1.6 (.039 to .063)	6,500
SQS-A03GI-P-P	0.3 to 0.5	1.0 to 1.6 (.039 to .063)	6,500

Material and Finish

GF: Copper alloy, nickel-undercoated, Mating part; gold-plated (0.4μm min.)
 GG: Copper alloy, nickel-undercoated, Mating part; gold-plated (0.4μm min.)
 Crimping part; tin-plated
 GI: Copper alloy, nickel-undercoated, Mating part; gold-plated (0.8μm min.)

Female housing

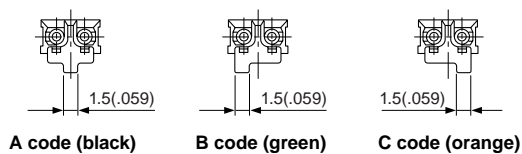


Model No.	Q'ty/box	Color
SQMR-02H-1A-K	1,500	Black
SQMR-02H-1A-LP	1,500	Purple
SQMR-02H-1B-M	1,500	Green
SQMR-02H-1C-D	1,500	Orange

Material

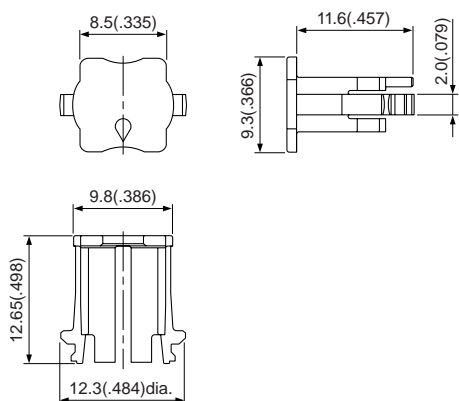
PBT

Keying figure

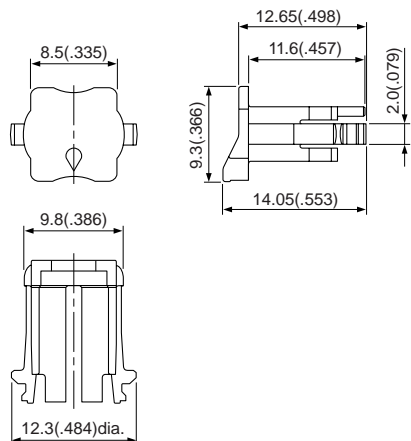


CPA housing

• SQSC-02H-1A-Y

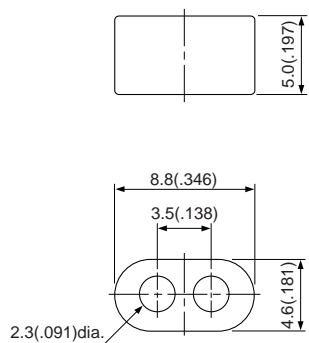


• SQSC-02H-2A-Y



Model No.	Q'ty/box	Color
SQSC-02H-1A-Y	2,000	Yellow
SQSC-02H-2A-Y	2,000	Yellow
Material		
Glass-filled PBT		

Ferrite



Model No.	Q'ty/box
SQMF-02-1A	1,000

Crimping machine, Applicator

Strip terminal	Crimping machine	Crimp applicator MKS-L	
		Dies	Crimp applicator with dies
SQS-A03GF-P-P	AP-K2N	MK/SQS-A03-P	APLMK SQS-A03-P
SQS-A03GG-P-P			
SQS-A03GI-P-P			

Note: When crimping operation is conducted by using other than above applicator and die set, JST cannot guarantee the performance of connector.