

Features

●Mating

Intelligent CPA adopted. It enables the connector to be locked securely and prevents incomplete mating on the assembly line resulting in improved connector retention force.

●Terminal construction

It is designed to prevent the deformation of the contact part when processing wire harness by protecting the contact part of each terminal with a box.

●Scooping (kojiri) preventive construction

Using a shunt ring with a countermeasure for scooping (kojiri), the resistance to scooping (kojiri) insertion and withdrawal is improved.

●Noise suppression

Ferrite core provides simple and reliable noise suppression characteristics.

●Two types of CPA housing

1A type: Normal type

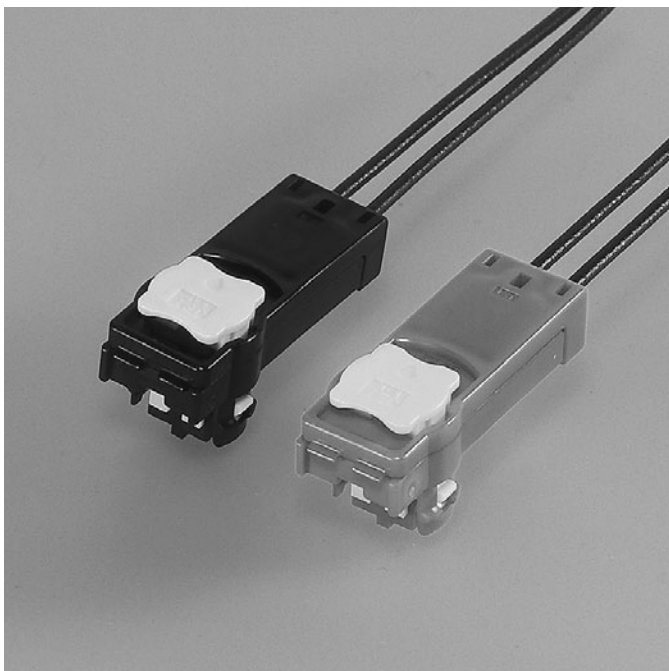
2A type: CPA housing has the jig tool insertion part in a tail part in order to easily connector disassembly operation with a jig tool such as drivers.

- * They are selectable by usage and installed place of connector.
- * Contact JST for details.

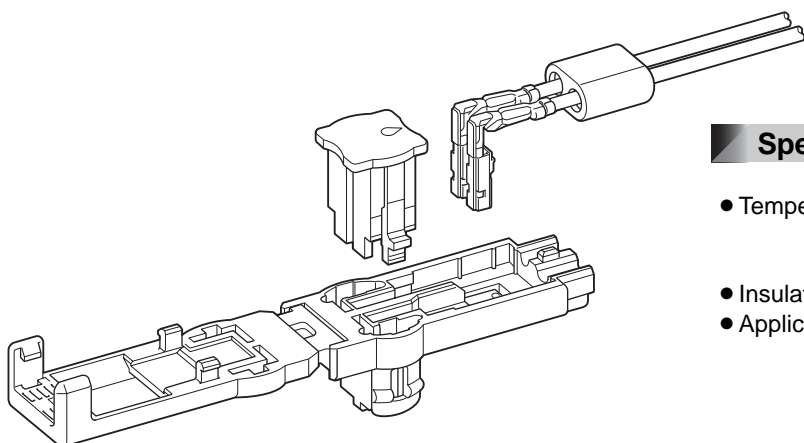
Specifications

- Temperature range: -30°C to $+80^{\circ}\text{C}$
(including temperature rise in applying electrical current)
- Insulation resistance: $100\text{M}\Omega$ min.
- Applicable wire: 0.3mm^2 to 0.5mm^2

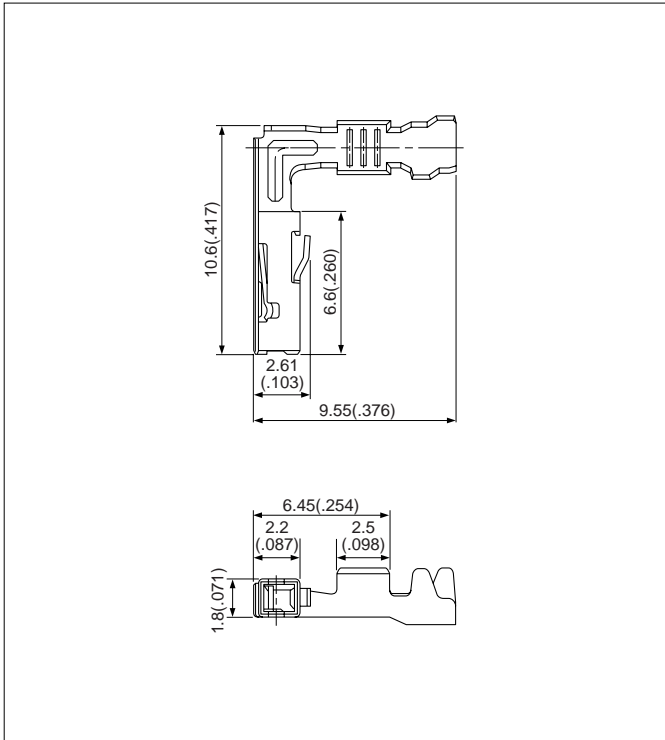
- * Contact JST for details.



This connector for air-bag has intelligent CPA, which allows locking the connector, incomplete mating detection and release of short-circuit at the same time.



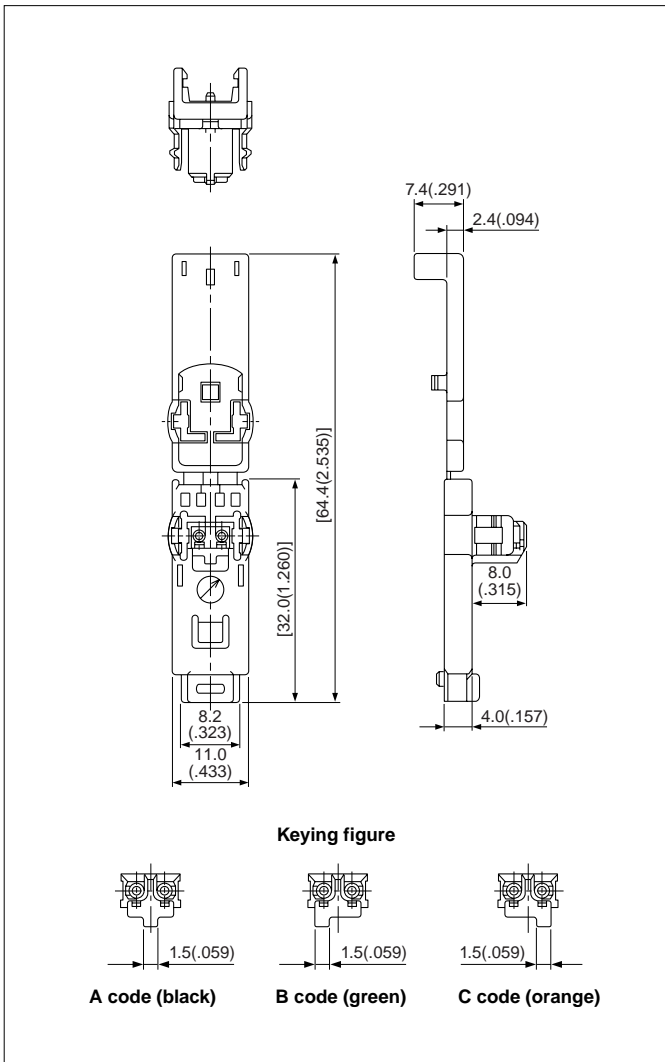
Female terminal



Model No.	Applicable wire range		Q'ty/reel
	Conductor (mm ²)	Insulation O.D. mm(in.)	
SQS-A03GF-P-P	0.3 to 0.5	1.0 to 1.6 (.039 to .063)	6,500
SQS-A03GG-P-P	0.3 to 0.5	1.0 to 1.6 (.039 to .063)	6,500
SQS-A03GI-P-P	0.3 to 0.5	1.0 to 1.6 (.039 to .063)	6,500

Material and Finish
 GF: Copper alloy, nickel-undercoated, Mating part; gold-plated (0.4µm min.)
 GG: Copper alloy, nickel-undercoated, Mating part; gold-plated (0.4µm min.)
 Crimping part; tin-plated
 GI: Copper alloy, nickel-undercoated, Mating part; gold-plated (0.8µm min.)

Female housing

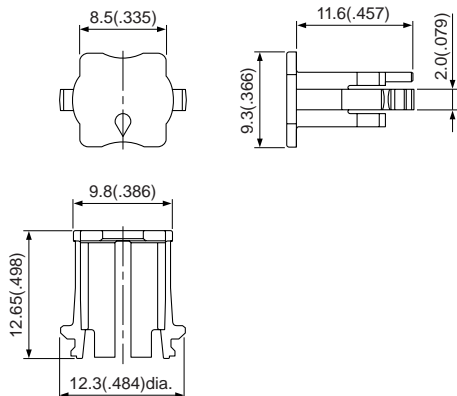


Model No.	Q'ty/box	Color
SQSR-02H-1A-K	1,000	Black
SQSR-02H-1B-M	1,000	Green
SQSR-02H-1C-D	1,000	Orange

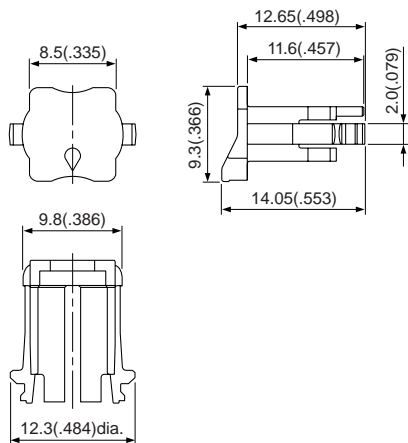
Material
 PBT

CPA housing

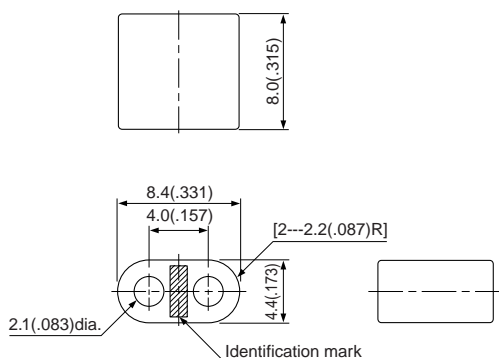
• SQSC-02H-1A-Y



• SQSC-02H-2A-Y



Ferrite



Crimping machine, Applicator

Strip terminal	Crimping machine	Crimp applicator MKS-L	
		Dies	Crimp applicator with dies
SQS-A03GF-P-P	AP-K2N	MK/SQS-A03-P	APLMK SQS-A03-P
SQS-A03GG-P-P			
SQS-A03GI-P-P			

Note: When crimping operation is conducted by using other than above applicator and die set, JST cannot guarantee the performance of connector.

Model No.	Q'ty/box	Color
SQSC-02H-1A-Y	2,000	Yellow
SQSC-02H-2A-Y	2,000	Yellow
Material		
Glass-filled PBT		

Model No.	Q'ty/box
SQSF-02-1A	1,000

HIT
AIT
HCM
MIO
CPT
BMD
CIT
HIC
SQS
SQM
SQH
SQSI
SQW
SQF
SHUNT RING
FEL
FMT
FOX
CN
EA1
WPZ
JUNCTION BOX
INDEX