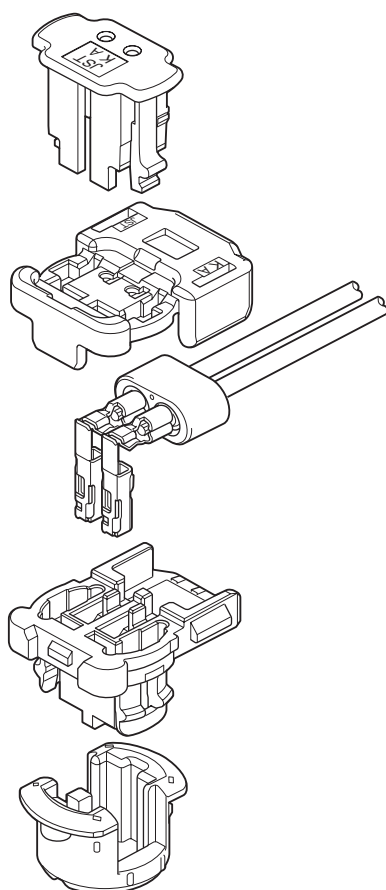


This connector for air-bag, conforming to USCAR standard, has intelligent CPA, which allows locking the connector, incomplete mating detection and release of short-circuit at the same time.



### Features

#### ● Compact design

This connector is approximately 13mm(.512") smaller than the SQS connector in total length.  
This connector can fit in the outer diameter 25mm(.984") or less of an inflator.

#### ● Mating

Intelligent CPA adopted. It enables the connector to be locked securely and prevents incomplete mating on the assembly line resulting in improved connector retention force.

#### ● Terminal construction

The contact part is placed forward compared to the conventional female terminal so that the effective contact length extends.

#### ● Scooping (kojiri) preventive construction

Using a shunt ring with a countermeasure for scooping (kojiri), the resistance to scooping (kojiri) insertion and withdrawal is improved.

#### ● Noise suppression

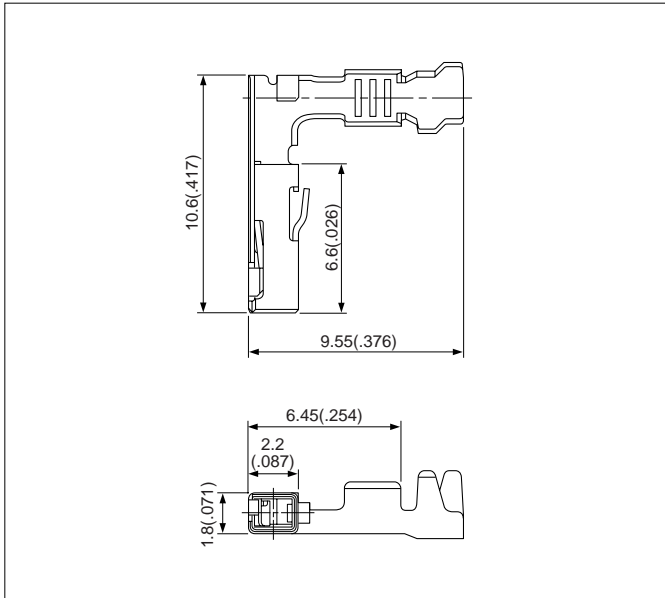
Ferrite core provides simple and reliable noise suppression characteristics.

### Specifications

- Temperature range: -30°C to +80°C  
(including temperature rise in applying electrical current)
- Insulation resistance: 100MΩ min.
- Applicable wire: 0.3mm<sup>2</sup> to 0.5mm<sup>2</sup>  
0.8mm<sup>2</sup>

\* Contact JST if Lead-Free product is required.  
\* Contact JST for details.

### Female terminal

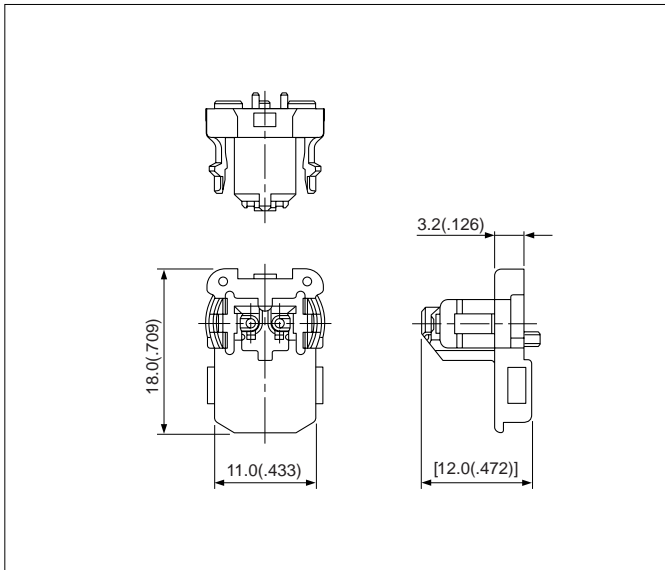


Model No.	Applicable wire range		Q'ty/reel
	Conductor (mm <sup>2</sup> )	Insulation O.D. mm(in.)	
<b>SSQS2-A03GF-P-P</b>	0.3 to 0.5	1.0 to 1.8 (.039 to .071)	6,500
<b>SSQS2-A03GI-P-P</b>	0.3 to 0.5	1.0 to 1.8 (.039 to .071)	6,500
<b>SSQS2-A04GF-P-P</b>	0.8	2.03(.080)	5,000
<b>SSQS2-A04GI-P-P</b>	0.8	2.03(.080)	5,000

#### Material and Finish

GF: Copper alloy, nickel-undercoated, Mating part; gold-plated (0.4µm min.)  
GI: Copper alloy, nickel-undercoated, Mating part; gold-plated (0.8µm min.)

### Female housing

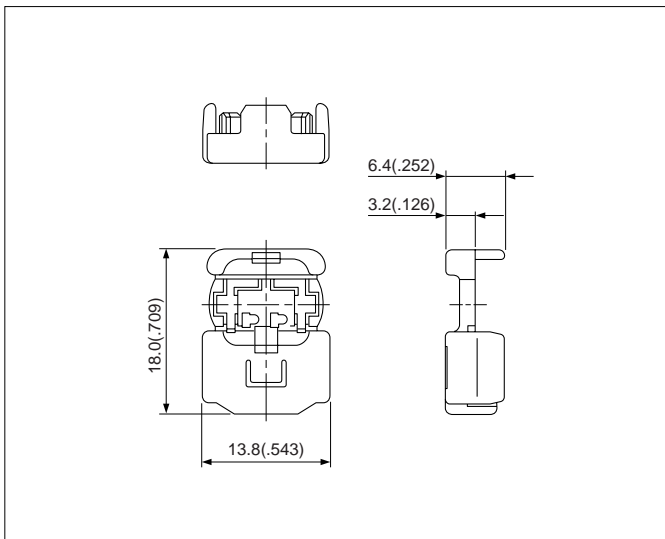


Circuits	Model No.	Q'ty/bag	Color
2	<b>SQS2R-02H-2A-K</b>	1,000	Black
2	<b>SQS2R-02H-2C-D</b>	1,000	Orange

#### Material

PBT

### Cover housing

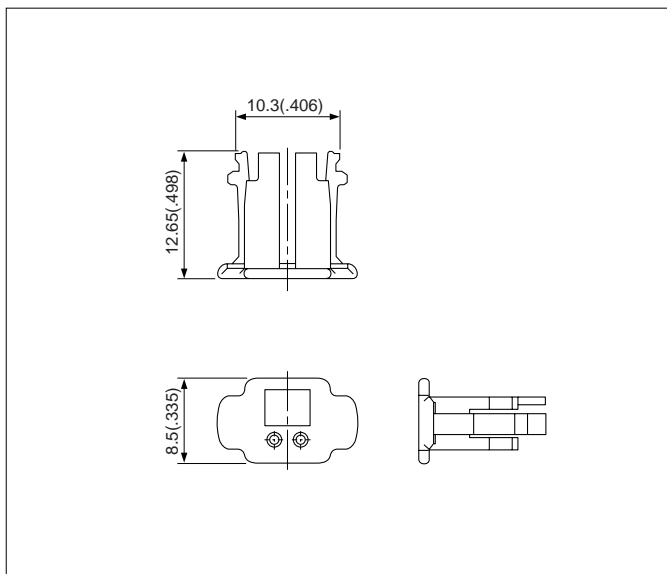


Circuits	Model No.	Q'ty/bag	Color
2	<b>SQS2L-02H-1A-Y</b>	1,000	Yellow

#### Material

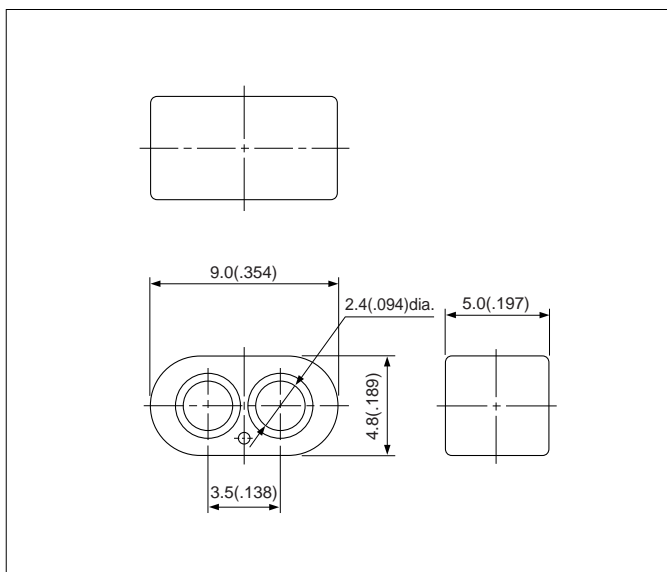
PBT

## CPA housing



Circuits	Model No.	Q'ty/bag	Color
2	<b>SQS2C-02H-1A-R</b>	2,000	Red
Material			
Glass-filled PBT			

## Ferrite



Circuits	Model No.	Q'ty/bag
2	<b>SQS2F-02-1T</b>	1,000

## Crimping machine, Applicator

Strip terminal	Crimping machine	Crimp applicator MKS-L	
		Dies	Crimp applicator with dies
<b>SSQS2-A03GF-P-P</b>	AP-K2N	MK/SQS-A03-P	APLMK SQS-A03-P
<b>SSQS2-A03GI-P-P</b>			APLMK SQS-A03-P
<b>SSQS2-A04GF-P-P</b>			APLMK SQS-A04-P
<b>SSQS2-A04GI-P-P</b>			APLMK SQS-A04-P

Note: When crimping operation is conducted by using other than above applicator and die set, JST cannot guarantee the performance of connector.