

SQW CONNECTOR

Squib connectors

Features

●Mating

Intelligent CPA adopted. It enables the connector to be locked securely and prevents incomplete mating on the assembly line resulting in improved connector retention force.

●Terminal construction

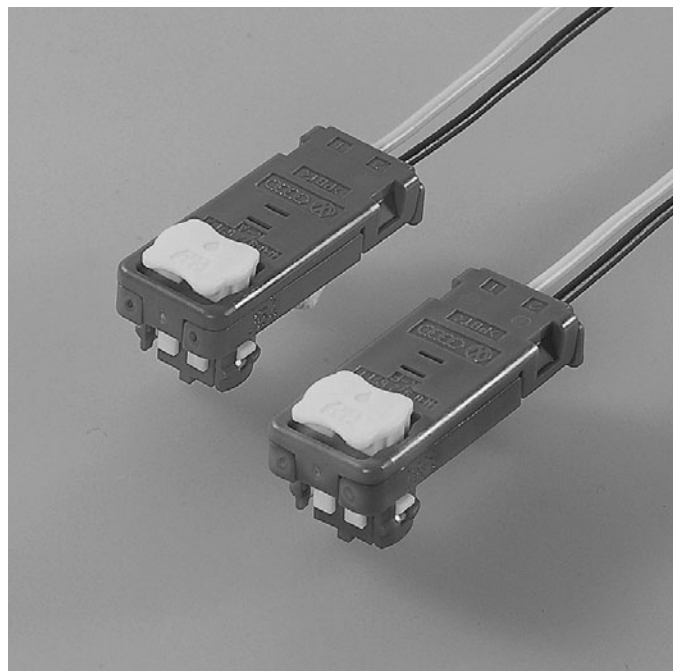
It is designed to prevent the deformation of the contact part when processing wire harness by protecting the contact part of each terminal with a box.

●Scooping (kojiri) preventive construction

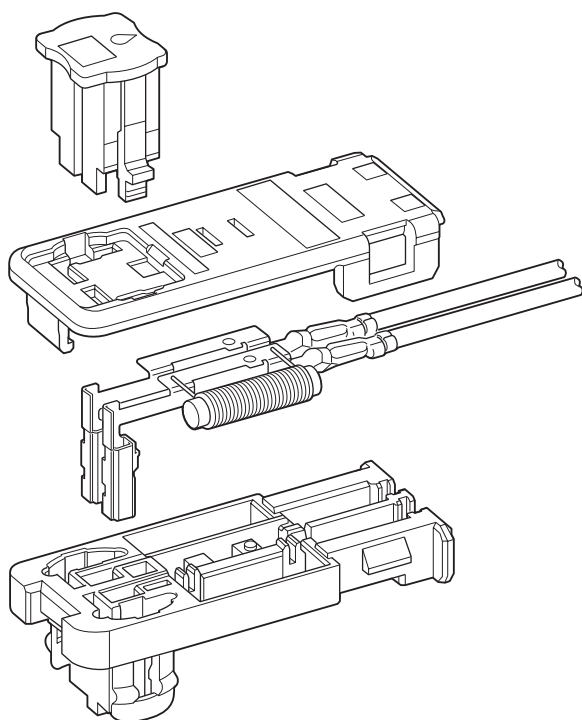
Using a shunt ring with a countermeasure for scooping (kojiri), the resistance to scooping (kojiri) insertion and withdrawal is improved.

●Noise suppression

High resistance to noise at the specific frequency range is achieved with a built-in coil.



This connector for air-bag has intelligent CPA, which allows locking the connector, incomplete mating detection and release of short-circuit at the same time and achieves high resistance to noise at the specific frequency range with a built-in coil.



Specifications

- Temperature range: -30°C to $+80^{\circ}\text{C}$
(including temperature rise in applying electrical current)
- Insulation resistance: $100\text{M}\Omega$ min.
- Applicable wire: 0.5mm^2

Note: In principle, only SQW connector as harness-processed product is supplied due to built-in coil.
Contact JST for details of available wire harness specification.

- * Contact JST if Lead-Free product is required.
- * Contact JST for details.

HTT

AIT

HCM

MIO

CPT

BMD

CIT

HIC

SQS

SQM

SQH

SQSII

SQW

SQF

SHUNT RING

FEL

FMT

FOX

CN

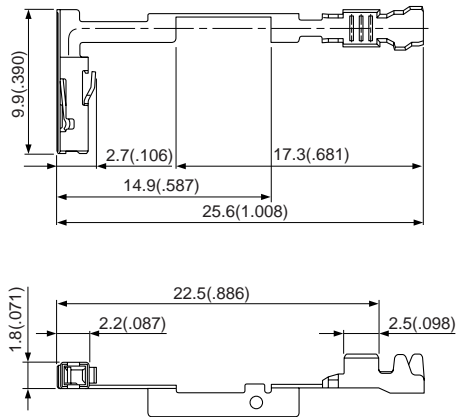
EA1

WPZ

JUNCTION BOX

INDEX

Female terminal

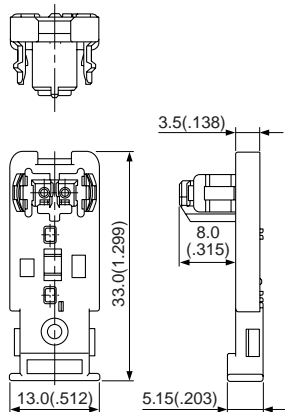


Model No.	Applicable wire range		Q'ty/reel
	Conductor (mm ²)	Insulation O.D. mm(in.)	
SSQW-A03GI-P-P	0.5	1.6(.063)	—

Material and Finish

Copper alloy, nickel-undercoated, Mating part; gold-plated

Female housing

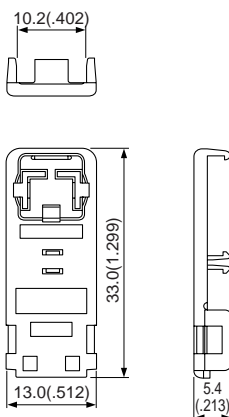


Model No.	Q'ty/box	Color
SQWR-02H-1A-LP	—	Purple
SQWR-02H-1B-M	—	Green
SQWR-02H-1C-D	—	Orange

Material

PBT

Cover housing

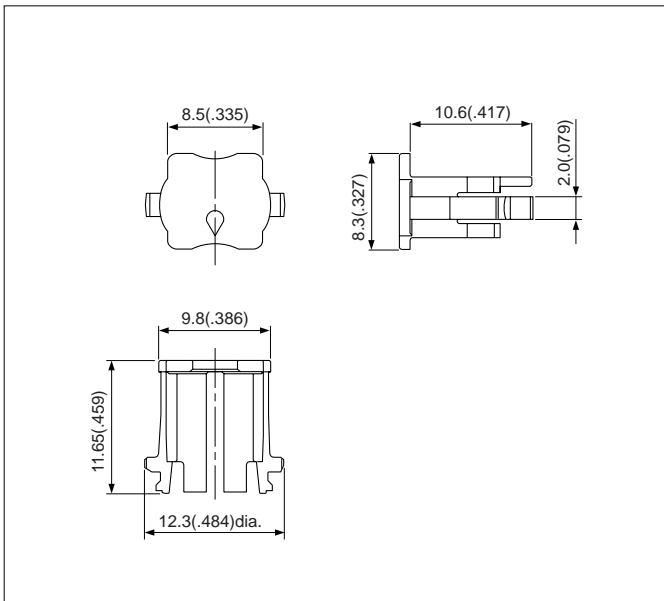


Model No.	Q'ty/box	Color
SQWL-02H-1-LP B	—	Purple
SQWL-02H-1-M A	—	Green
SQWL-02H-1-D	—	Orange

Material

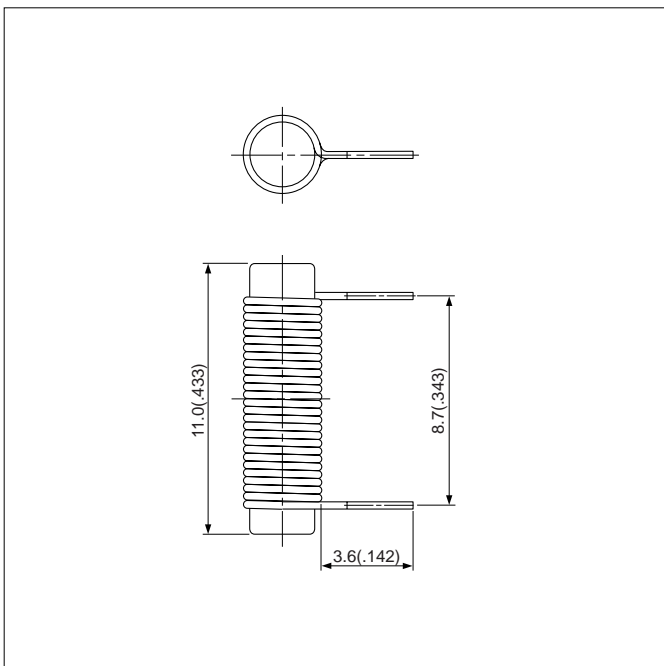
PBT

CPA housing



Model No.	Q'ty/box	Color
SQWC-02H-1A-Y	—	Yellow
Material		
Glass-filled PBT		

Coil



Model No.	Q'ty/box
SQWW-02-1A	—

- HT
- AIT
- HCM
- MIO
- CPT
- BMD
- CIT
- HIC
- SQS
- SQM
- SQH
- SQSI
- SQW**
- SQF
- SHUNT RING
- FEL
- FMT
- FOX
- CN
- EAT
- WPZ
- JUNCTION BOX
- INDEX