

Features

●Low insertion force, high contact reliability

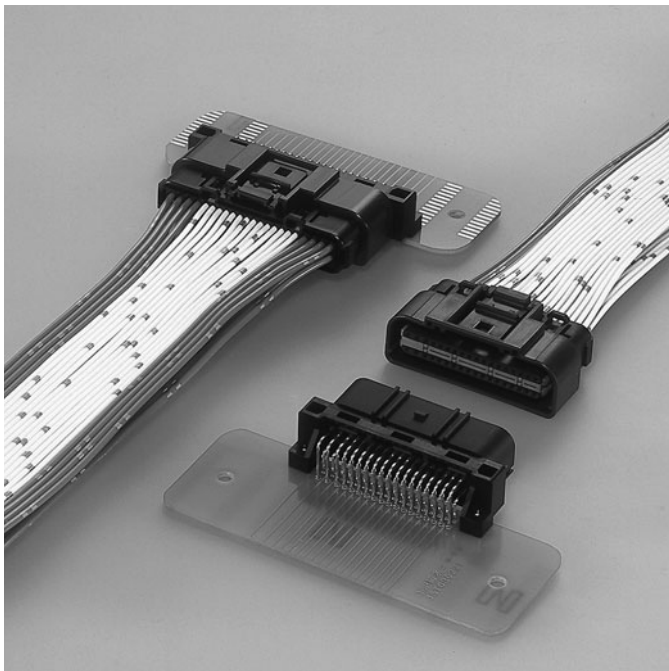
Gold plating is used for surface finish of contact part of a terminal so that low insertion force and high contact reliability are realized.

●Lock protection structure

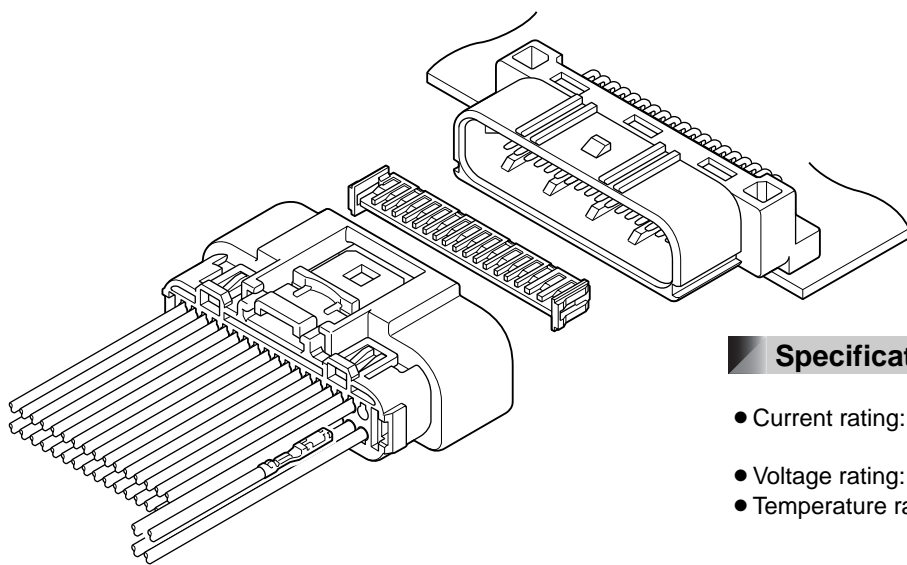
This connector has the lock protection structure that prevents serious deformation of lock and pinching wires. When mating connector, or assembling wire harness with header, it prevents breakage of lock.

●Waterproof

Mat seal is adopted for improving the workability of harness assembling.



This is a multi-circuit waterproof connector that achieves low profile and miniaturization.

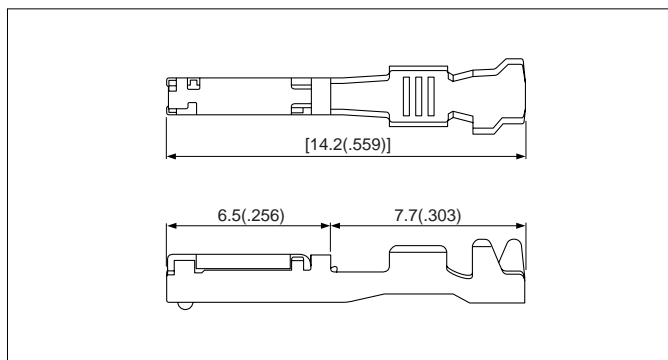


Specifications

- Current rating: Signal/3A AC, DC (0.5mm², Single circuit)
Power/7A AC, DC (1.25mm², Single circuit)
- Voltage rating: 200V AC, DC
- Temperature range: -40°C to +125°C
(including temperature rise in applying electrical current)
- Contact resistance: Initial value/5mΩ max.
After environmental testing/10mΩ max.
- Insulation resistance: 100MΩ min.
- Withstanding voltage: 1,000V AC/minute
- Applicable wire: Signal/0.3mm² to 0.5mm²
Power/0.75mm² to 1.25mm²

* Contact JST if Lead-Free product is required.
* Contact JST for details.

Female terminal

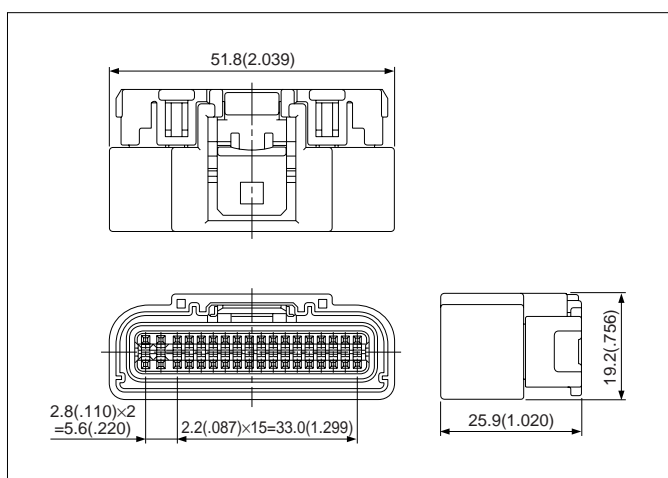


| Female terminal | Model No. | Applicable wire range | | Q'ty/reel |
|-----------------|-------------------------|------------------------------|---------------------------|-----------|
| | | Conductor (mm ²) | Insulation O.D. mm(in.) | |
| S | SWPZ-A031GG-M025 | 0.3 to 0.5 | 1.4 to 1.8 (.055 to .071) | 8,000 |
| M | SWPZ-A041GG-M025 | 0.75 to 1.25 | 1.8 to 2.2 (.071 to .087) | 6,000 |

Material and Finish

Copper alloy, nickel-undercoated, Mating part; gold-plated
Crimping part; tin-plated (reflow treatment)

Female housing

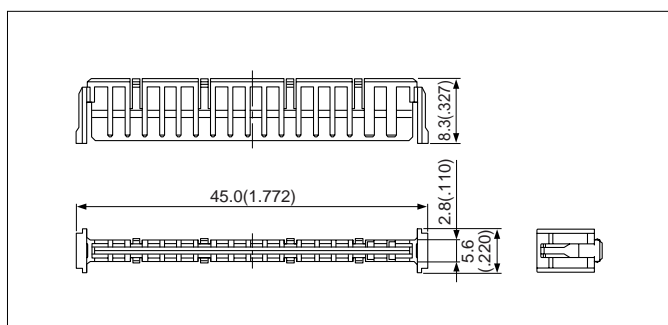


| Circuits | Model No. | Q'ty/box |
|----------|----------------------|----------|
| 36 | WPZFBC-36-KKA | 192 |

Material

Housing: PBT, black
Connector seal: Silicon, brown
Seal cover: PBT, black
Wire seal: Silicon, brown

Retainer

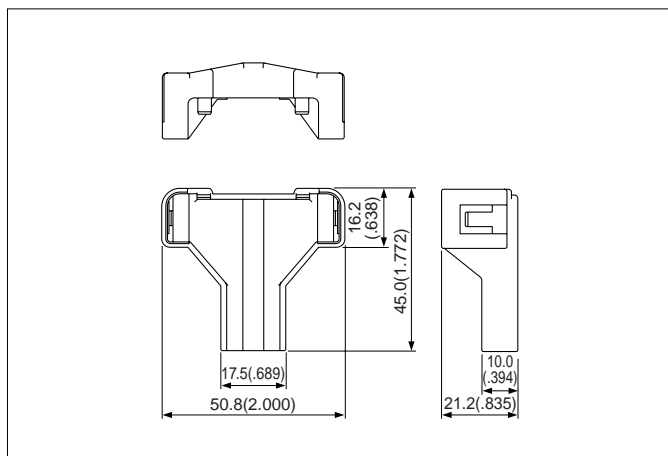


| Circuits | Model No. | Q'ty/box |
|----------|------------------|----------|
| 36 | WPZT-36-P | 150 |

Material

PBT, light purple

Wire cover

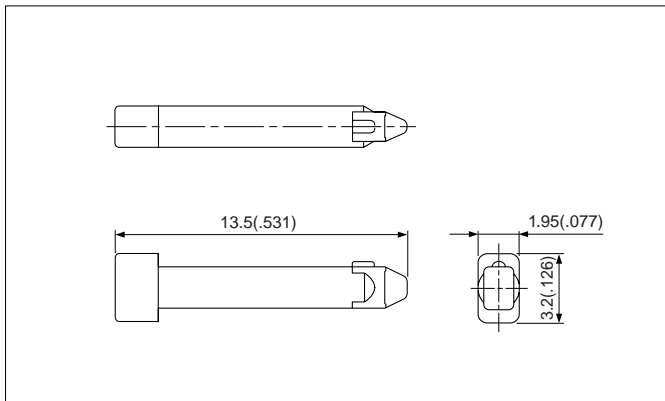


| Model No. | Q'ty/box |
|-------------------|----------|
| WPZC-36-WV | 100 |

Material

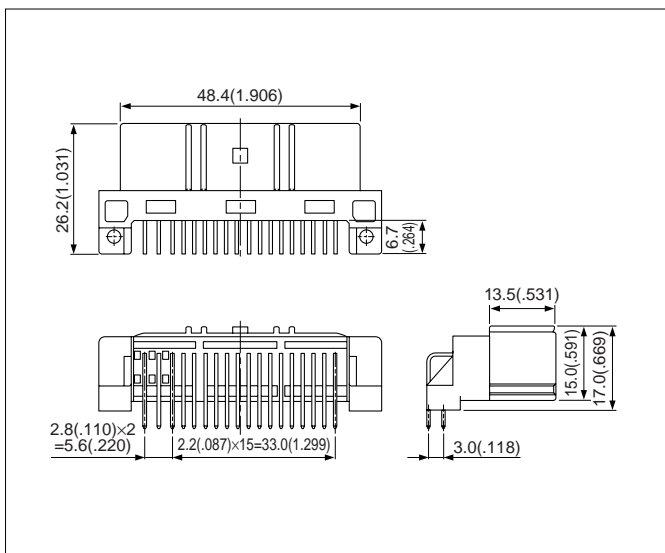
PP, white

Dummy plug



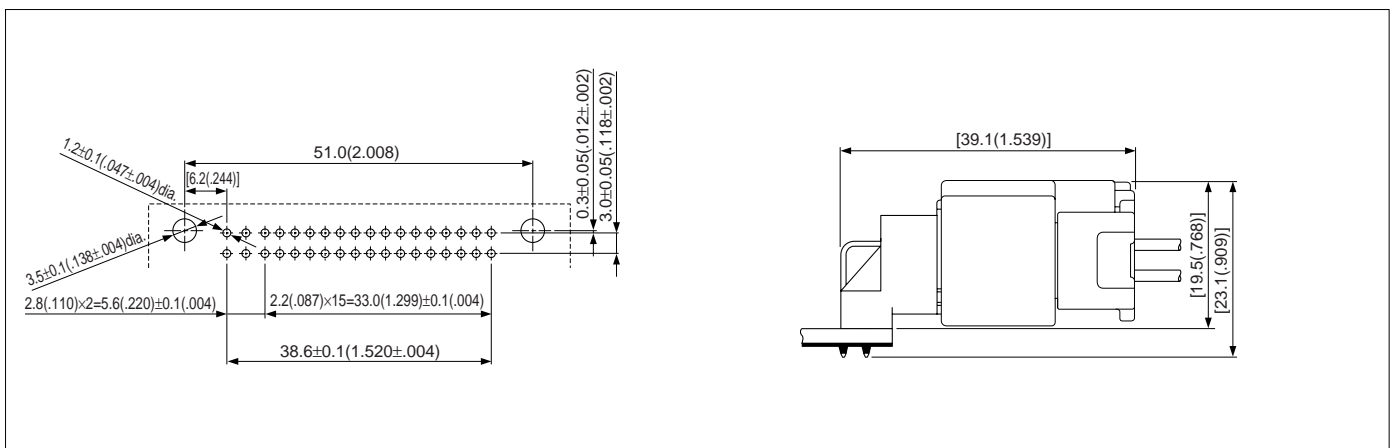
| Model No. | Q'ty/box |
|-------------------|----------|
| WPZD-P | 3,000 |
| Material | |
| PBT, light purple | |

Header



| Circuits | Model No. | Q'ty/box |
|--|-------------|----------|
| 36 | S36B-WPZK-A | 192 |
| Material and Finish | | |
| Pin: Brass, nickel-undercoated, Mating part: gold-plated Solder tail: tin/copper alloy-plated | | |
| Housing: PBT, black | | |

PC board layout and Assembly layout



Note: 1. Tolerances are non-cumulative: $\pm 0.05\text{mm}$ ($\pm 0.002''$) for all centers.
2. Hole dimensions differ according to the kind of PC board and piercing method.
The dimensions above should serve as a guideline. Contact JST for details.

Crimping machine, Applicator

| Strip terminal | Crimping machine | Crimp applicator MKS-L | |
|------------------|------------------|------------------------|----------------------------|
| | | Dies | Crimp applicator with dies |
| SWPZ-A031GG-M025 | AP-K2N | MK/SWPZ-A031-025 | APLMK SWPZ-A031-025 |
| SWPZ-A041GG-M025 | | MK/SWPZ-A041-025 | APLMK SWPZ-A041-025 |

Note: When crimping operation is conducted by using other than above applicator and die set, JST cannot guarantee the performance of connector.

HIT
AIT
HCM
MIO
CPT
BMD
CIT
HIC
SQS
SQM
SQH
SQSI
SQW
SQF
SHUNTING
FEL
FMT
FOX
CN
EA1
WPZ
JUNCTION BOX
INDEX