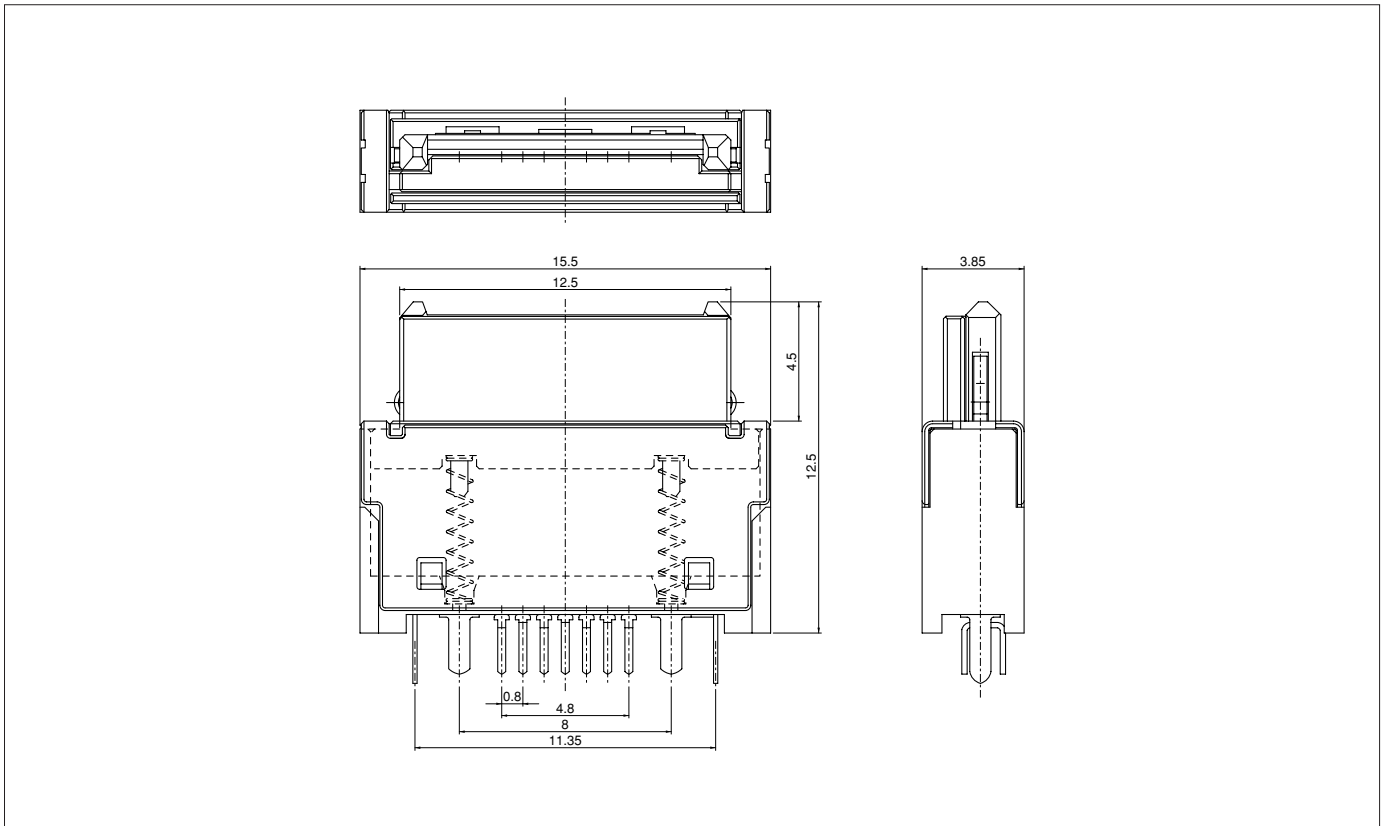


CRK CONNECTOR

Plug



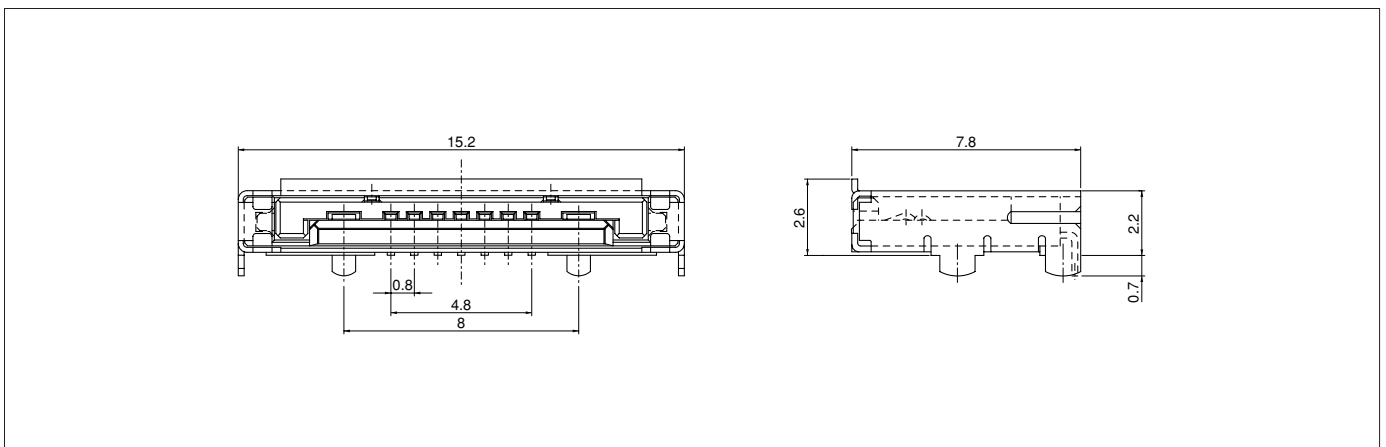
Circuits	Model No.	Q'ty / box
9	09PTD-CRK-GE	600

Material and Finish

Housing: Heat resisting resin, UL94V-0, black
 Contact: Copper alloy, nickel-undercoated, selective gold-plated
 Shell: Copper alloy, nickel-undercoated, tin-plated
 Shutter: Heat resisting resin, UL94V-0, black
 Cover shell: Copper alloy, tin-plated
 Spring: Stainless steel wire

RoHS compliance This product displays (LF) on a label.

Receptacle



Circuits	Model No.	Q'ty / box
9	09RSA-CRK-GE	1,800

Material and Finish

Housing: Heat resisting resin, UL94V-0
 Contact: Copper alloy, nickel-undercoated, selective gold-plated
 Shell: Copper alloy, nickel-undercoated, tin-plated
 Shutter: Heat resisting resin, UL94V-0
 Spring: Stainless steel wire

RoHS compliance This product displays (LF)(SN) on a label.