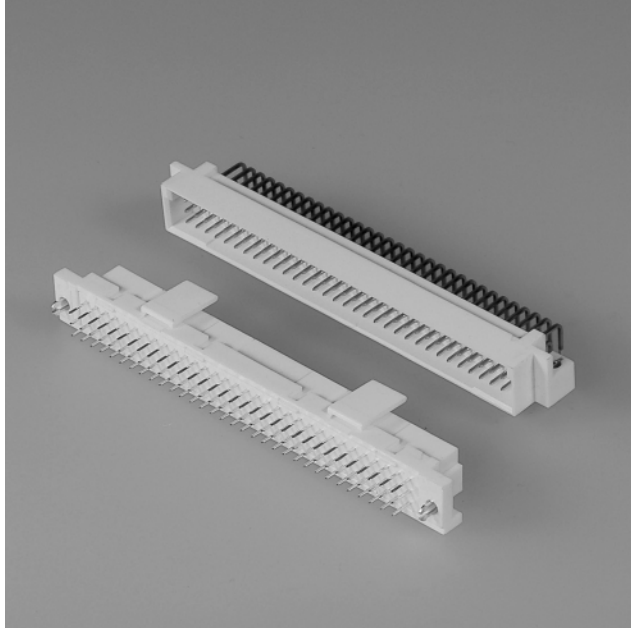
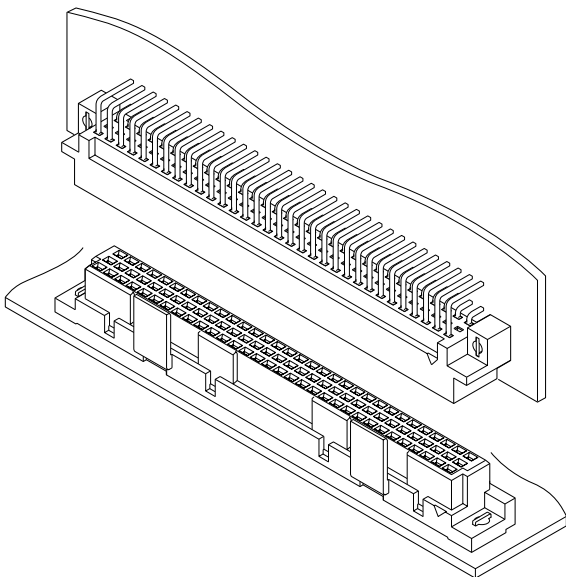


DIN CONNECTOR

Board-to-board connectors



Multicircuit and self-supporting style board-to-board connector



Features

- **Conforms to DIN standards**

- **Secure locking mechanism**

This mechanism securely holds housings and improves resistance to vibration and shock of PC board. The friction lock connector is also available.

- **Secure locking on PC board**

The DIN connector has hook pins that allows it to be temporarily mounted on the PC board. This prevents connector from lifting or changing position while it is being mounted.

Specifications

- Current rating: 1.0A AC, DC
- Voltage rating: 50V AC, DC
- Temperature range: -25°C to +85°C
(including temperature rise in applying electrical current)
- Contact resistance: Initial value/30m Ω max.
After environmental testing/50m Ω max.
- Insulation resistance: 1,000M Ω min.
- Withstanding voltage: 800V AC/minute
- Applicable PC board thickness: 1.6mm
- * RoHS compliant products are published.
- * Refer to "General Instruction and Notice when using Terminals and Connectors" at the end of this catalog.
- * Contact JST for details.

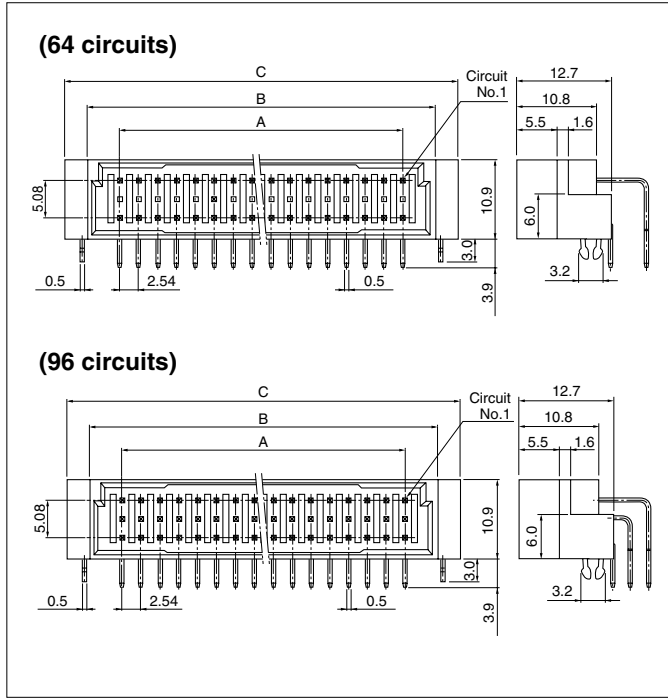
Standards

 Recognized E60389

 Certified LR20812

DIN CONNECTOR

Plug



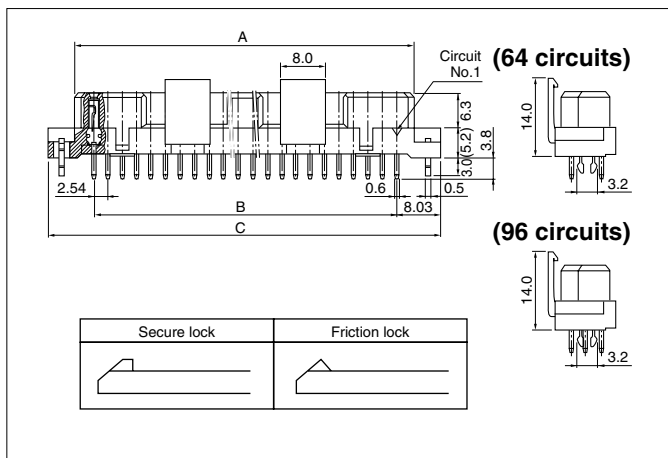
Circuits	Model No.	Dimensions (mm)			Q'ty / box
		A	B	C	
64	DIN-PS6464B-10	78.74	87.5	93.8	30
96	DIN-PS9696B-10	78.74	87.5	93.8	30

Material and Finish

Contact: Brass, nickel-undercoated, Mating part; gold-plated
Solder tail; tin-plated (reflow treatment)
Housing: Glass-filled PBT, UL94V-0
Reinforcing pin: Brass, copper-undercoated, tin-plated (reflow treatment)

RoHS compliance This product displays (LF)(SN) on a label.

Receptacle



Circuits	Model No.		Dimensions (mm)			Q'ty / box
	Secure lock type	Friction lock type	A	B	C	
64	DIN-R6464LB-10	DIN-R6464FLB-10	85.0	78.74	94.8	30
96	DIN-R9696LB-10	DIN-R9696FLB-10	85.0	78.74	94.8	30

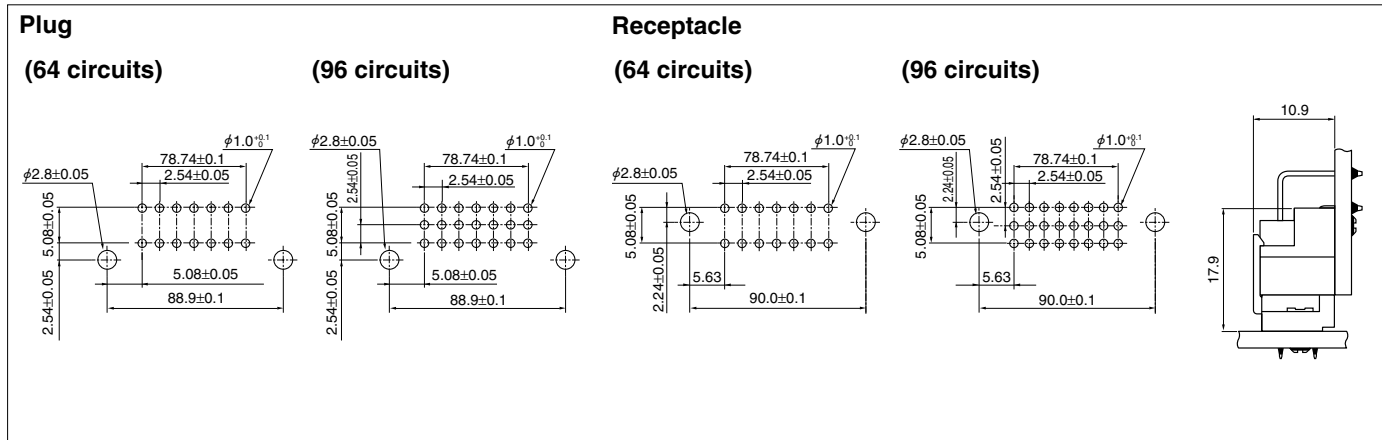
Material and Finish

Contact: Phosphor bronze, nickel-undercoated,
Mating part; gold-plated
Solder tail; tin-plated (reflow treatment)
Housing: Glass-filled PBT, UL94V-0
Holder: Glass-filled PBT, UL94V-0
Reinforcing pin: Brass, copper-undercoated, tin-plated (reflow treatment)

RoHS compliance This product displays (LF)(SN) on a label.

DIN CONNECTOR

PC board layout (viewed from component side) and Assembly layout



Note:

1. Tolerances are non-cumulative: ± 0.05 mm for all centers.
2. Hole dimensions differ according to the kind of PC board and piercing method.
The dimensions above should serve as a guideline. Contact JST for details.