

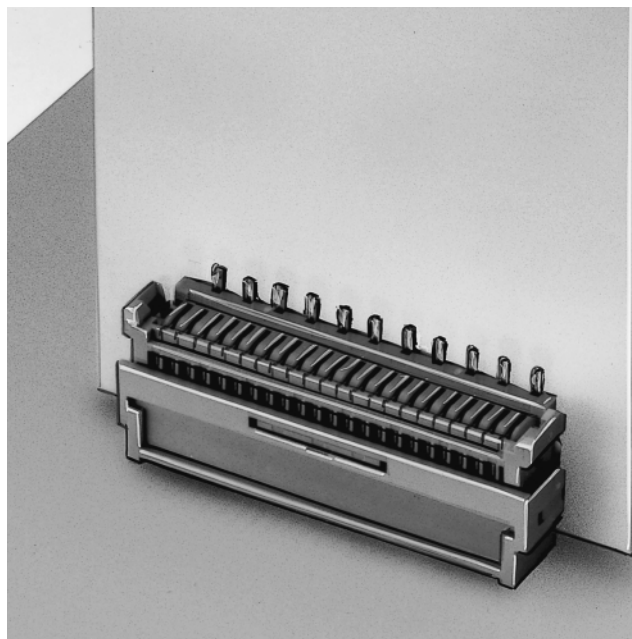


JST

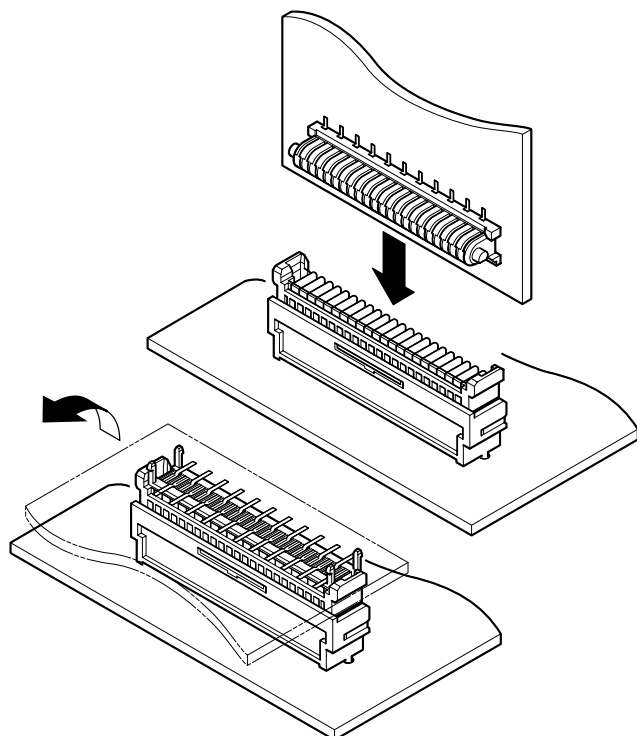
1.5mm
pitch

HQM CONNECTOR

Hinge type Board-to-board Connectors



Hinge type board to board connectors which allow mated PCB's to move 90° in respect to one another while electricity is turned on. The hinge compensates for slight misalignments between circuit boards to assure a secure connection even if the boards are out of line up to 0.5mm. Thus design and circuit checks can be as easily made as opening a door.



Features

• **Hinged connection**

With hinge construction, the HQM connector features flexibility. Thus this board to board connector allows mated PCB's to move 90° in respect to one another while electricity is turned on.

• **Flexible connection by absorbing circuit board misalignment**

The hinge compensates for slight misalignments between circuit boards to assure a secure connection even if the boards are out of line up to 0.5mm. Thus design and circuit checks can be as easily made as opening a door.

• **Connector halves can be mated after mounting on circuit boards**

Connector halves can be mated after mounting on circuit boards. The boards can then be rotated 90°. This will ease equipment maintenance by allowing access to tight spaces.

Specifications

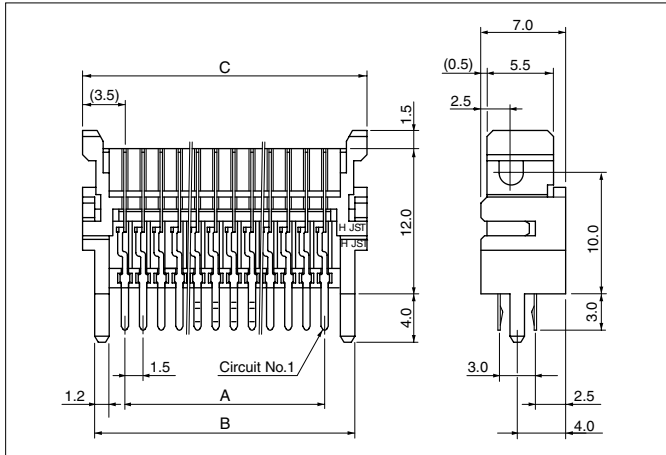
- Current rating: 1.0A AC, DC
- Voltage rating: 100V AC, DC
- Temperature range: -25°C to +85°C
(including temperature rise in applying electrical current)
- Contact resistance: Initial value/40m Ω max.
After environmental testing/60m Ω max.
- Insulation resistance: 500M Ω min.
- Withstanding voltage: 500V AC/minute
- Applicable PC board thickness: 1.6mm
- * RoHS compliant products are published.
- * Refer to "General Instruction and Notice when using Terminals and Connectors" at the end of this catalog.
- * Contact JST for details.

Standards

 Recognized E60389

 Certified LR20812

Plug



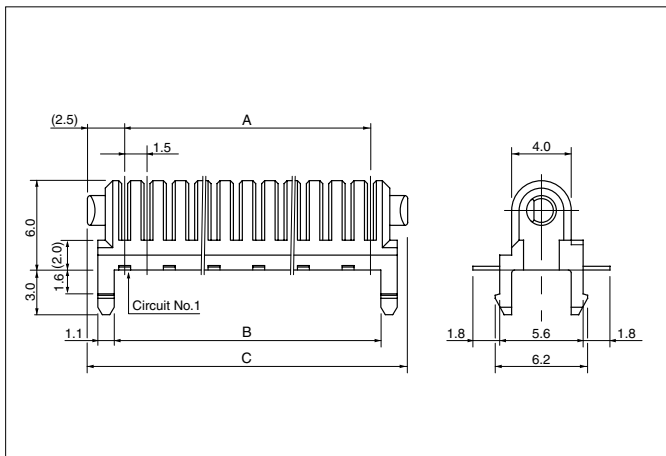
Circuits	Model No.	Dimensions (mm)			Q'ty / box
		A	B	C	
21	21P-HQM-1	30.0	35.0	37.0	180
22	22P-HQM-1	31.5	36.5	38.5	150
23	23P-HQM-1	33.0	38.0	40.0	150
24	24P-HQM-1	34.5	39.5	41.5	150

Material and Finish

Contact: Phosphor bronze, tin-plated (reflow treatment)
Housing: Glass-filled PA 66, UL94V-0

RoHS compliance

Receptacle



Circuits	Model No.	Dimensions (mm)			Q'ty / box
		A	B	C	
21	21R-HQM	30.0	31.4	35.0	240
22	22R-HQM	31.5	32.9	36.5	200
23	23R-HQM	33.0	34.4	38.0	200
24	24R-HQM	34.5	35.9	39.5	200

Material and Finish

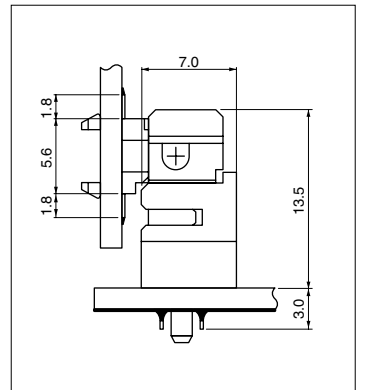
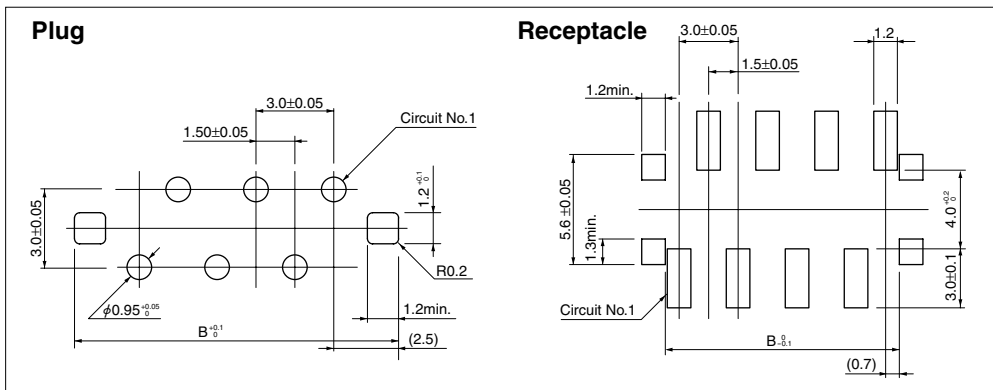
Contact: Phosphor bronze, tin-plated (reflow treatment)
Housing: Glass-filled PA 66, UL94V-0

RoHS compliance

Note: These products are for manual soldering.

PC board layout (viewed from component side)

Assembly layout



Note:

1. Tolerances are non-cumulative: $\pm 0.05\text{mm}$ for all centers.
2. Hole dimensions differ according to the kind of PC board and piercing method. The dimensions above should serve as a guideline. Contact JST for details.