



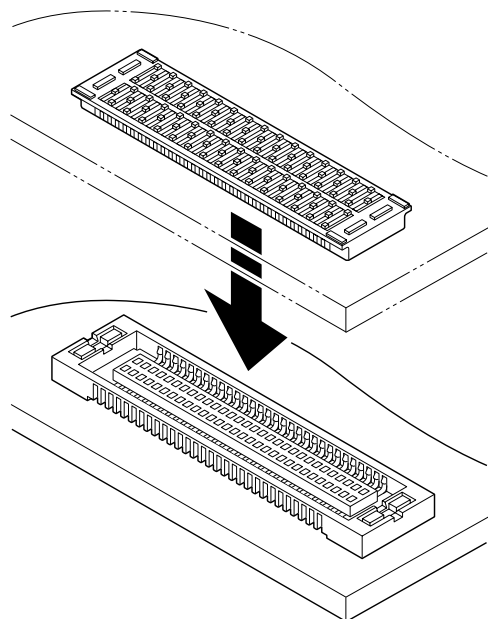
0.4mm
pitch

JAL CONNECTOR

Board-to-board connectors



SMT configuration 0.4mm pitch board-to-board connector with 4-row staggered leads that are located just below the surface of the wafer. With the CSP (chip size package) technology, mounting area on the board is minimized.



Features

- **Minimized mounting area on the board**

Bottom lead method reduces the projected PC board area.

- **Low profile**

Only 1.5mm height after assembly.

- **Recommended and developed for small equipment such as DVC and mobile equipment**

Specifications

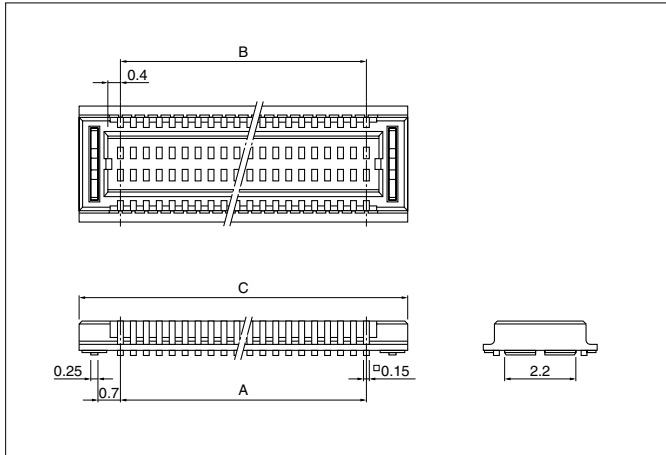
- Current rating: 0.3A AC, DC
- Voltage rating: 30V AC, DC
- Temperature range: -25°C to +85°C
(including temperature rise in applying electrical current)
- Contact resistance: Initial value/40m Ω max.
After environmental testing/30m Ω max.
(variation from initial value)
- Insulation resistance: 800M Ω min.
- Withstanding voltage: 200V AC/minute
- * RoHS compliant products are published.
- * Refer to "General Instruction and Notice when using Terminals and Connectors" at the end of this catalog.
- * Contact JST for details.

Standards

Recognized E60389

Certified LR20812

Plug



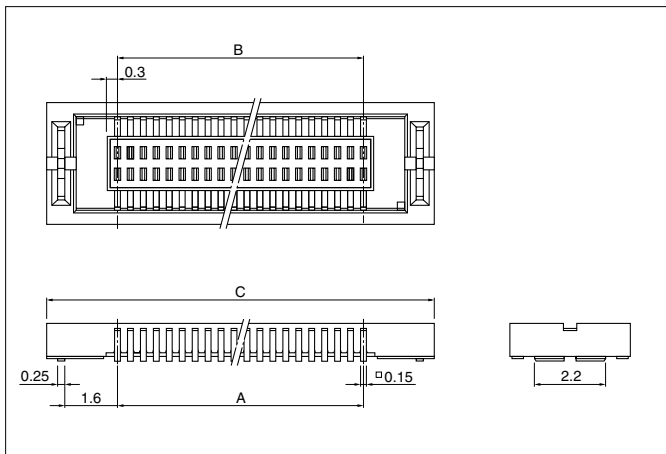
Cir- cuits	Model No.	Dimensions (mm)			Q'ty / reel
		A	B	C	
60	60P-JALK-G1-TF	11.6	11.6	14.15	3,000
72	72P-JALK-G1-TF	14.0	14.0	16.55	3,000
88	88P-JALK-G1-TF	17.2	17.2	19.75	3,000

Material and Finish

Contact: Copper alloy, nickel-undercoated, gold-plated
 Housing: Heat resisting resin, UL94V-0
 Solder tab: Copper alloy, copper-undercoated, tin-plated (reflow treatment)

RoHS compliance This product displays (LF)(SN) on a label.
 Note: The products listed above are supplied on embossed-tape.

Receptacle



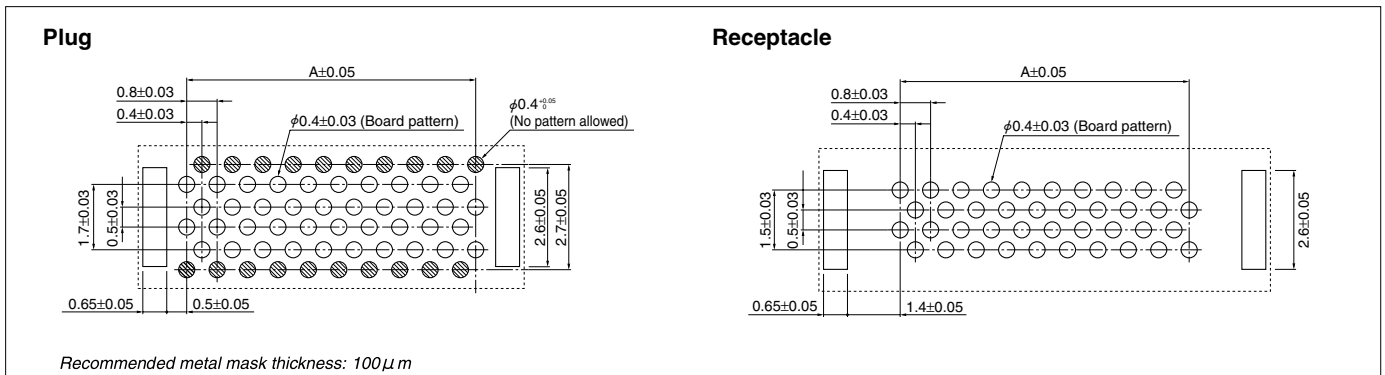
Cir- cuits	Model No.	Dimensions (mm)			Q'ty / reel
		A	B	C	
60	60R-JALK-G1-TF	11.6	11.6	15.95	3,000
72	72R-JALK-G1-TF	14.0	14.0	18.35	3,000
88	88R-JALK-G1-TF	17.2	17.2	21.55	3,000

Material and Finish

Contact: Copper alloy, nickel-undercoated, gold-plated
 Housing: Heat resisting resin, UL94V-0
 Solder tab: Copper alloy, copper-undercoated, tin-plated (reflow treatment)

RoHS compliance This product displays (LF)(SN) on a label.
 Note: The products listed above are supplied on embossed-tape.

PC board layout (viewed from soldering side)

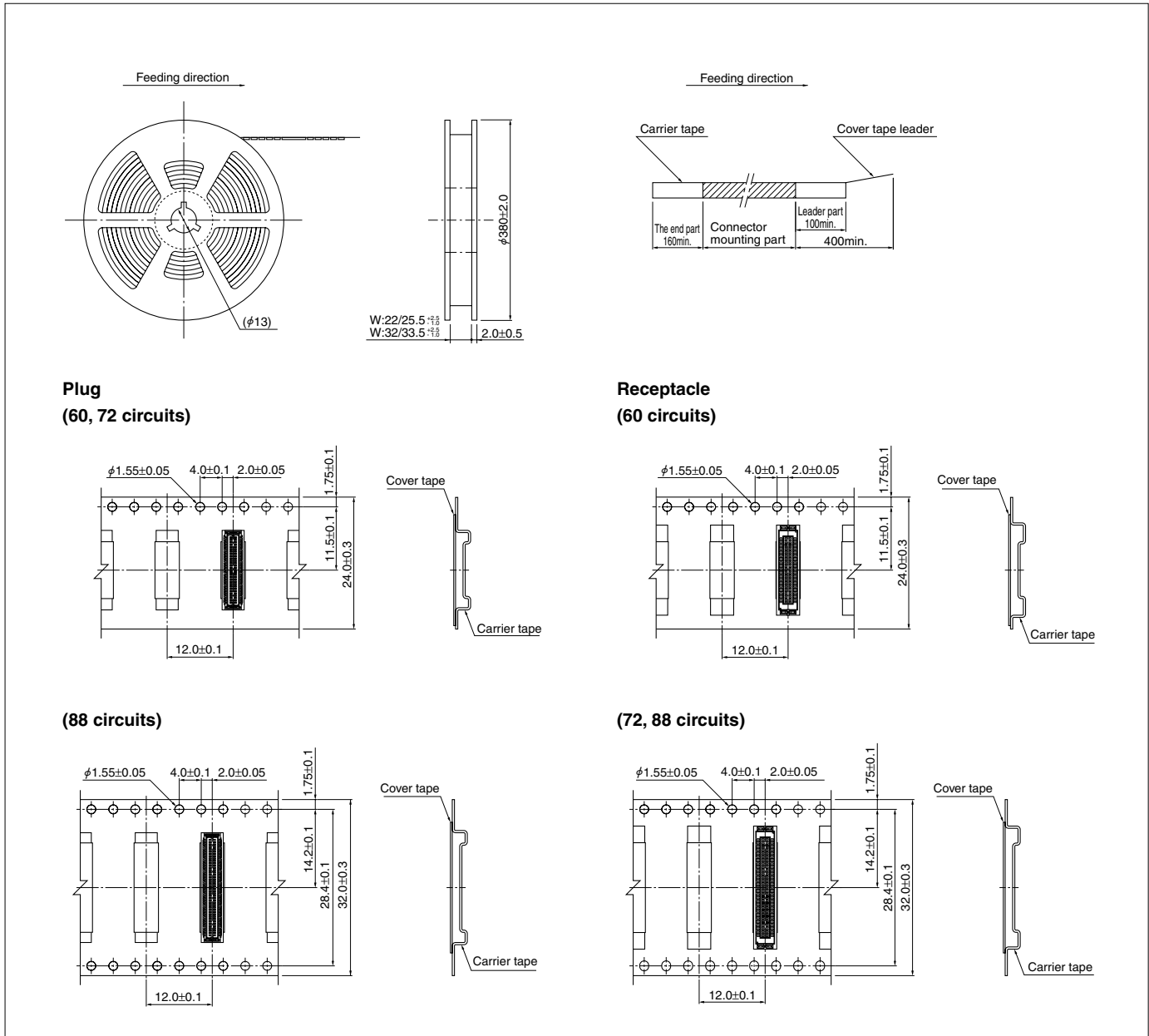


Note:

1. Tolerances are non-cumulative: ± 0.03 mm for all centers.
2. Hole dimensions differ according to the kind of PC board and piercing method. The dimensions above should serve as a guideline. Contact JST for details.

JAL CONNECTOR

Taping specifications



- Note:
- Specifications conform to JIS C 0806. The tape width, connector loading recess square hole dimensions, etc. are determined by the number of circuits and external shape of the connector to be loaded.
 - Specifications are subject to change without prior notice.

Assembly layout

