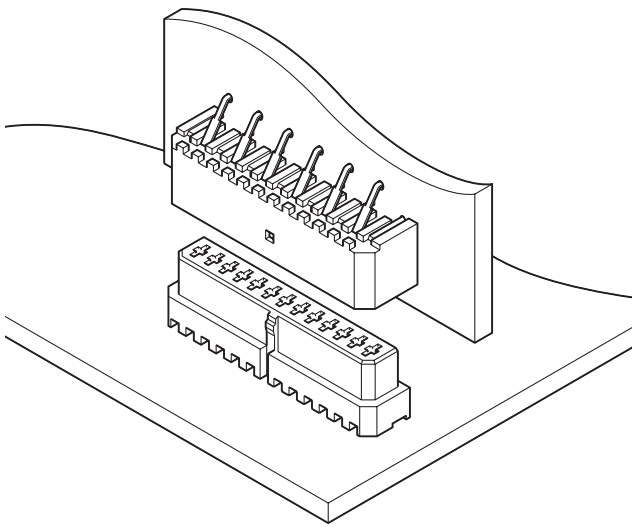


JE CONNECTOR

1.25mm pitch/Board-to-board connectors



The JE connector is a compact, board-to-board connector only 6.8mm high and 3.6mm wide. Its mating part has a 1.25mm pitch, single row construction. High contact pressure dual beam fork contacts are combined with a housing lock mechanism to ensure a reliable connection.

- A compact design to meet today's needs
- Secure locking and reliable connection
- Box shaped housing
- Easy mounting and no flux problems

Specifications

- Current rating: 1.0A AC, DC
- Voltage rating: 50V AC, DC
- Temperature range: -25°C to +85°C
(including temperature rise in applying electrical current)
- Contact resistance: Initial value/20m Ω max.
After environmental testing/40m Ω max.
- Insulation resistance: 500M Ω min.
- Withstanding voltage: 500V AC/minute
- Applicable PC board thickness: 1.6mm
- * RoHS compliant products are published.
- * Refer to "General Instruction and Notice when using Terminals and Connectors" at the end of this catalog.
- * Contact JST for details.

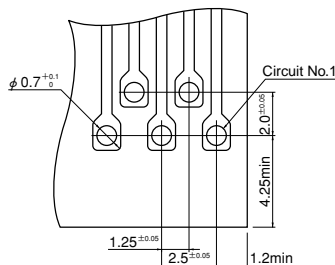
Standards

Recognized E60389

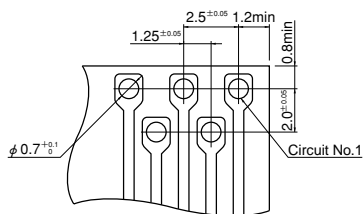
Certified LR20812

PC board layout (viewed from soldering side) and Assembly layout

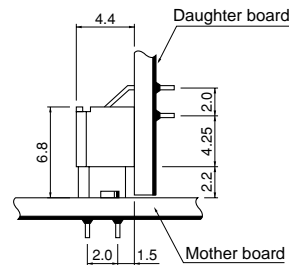
Plug



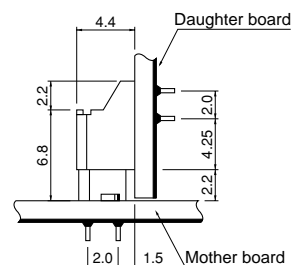
Receptacle



Without stopper



With stopper

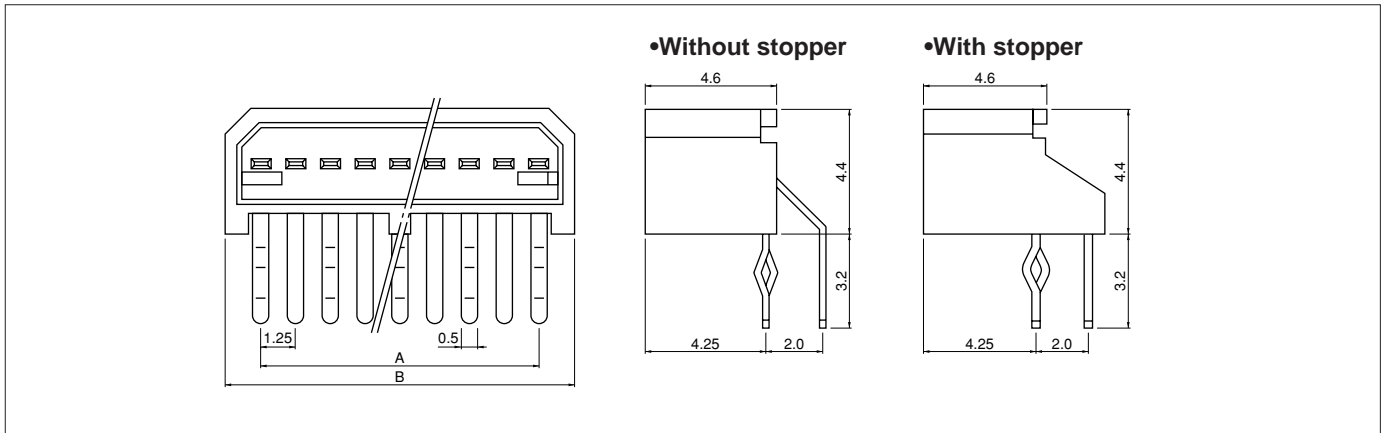


Note: 1. Tolerances are non-cumulative: $\pm 0.05\text{mm}$ for all centers.
2. Hole dimensions differ according to the kind of PC board and piercing method. The dimensions above should serve as a guideline. Contact JST for details.

Note: The daughter board should be secured. For details of the securing method, contact JST.

JE CONNECTOR

Plug



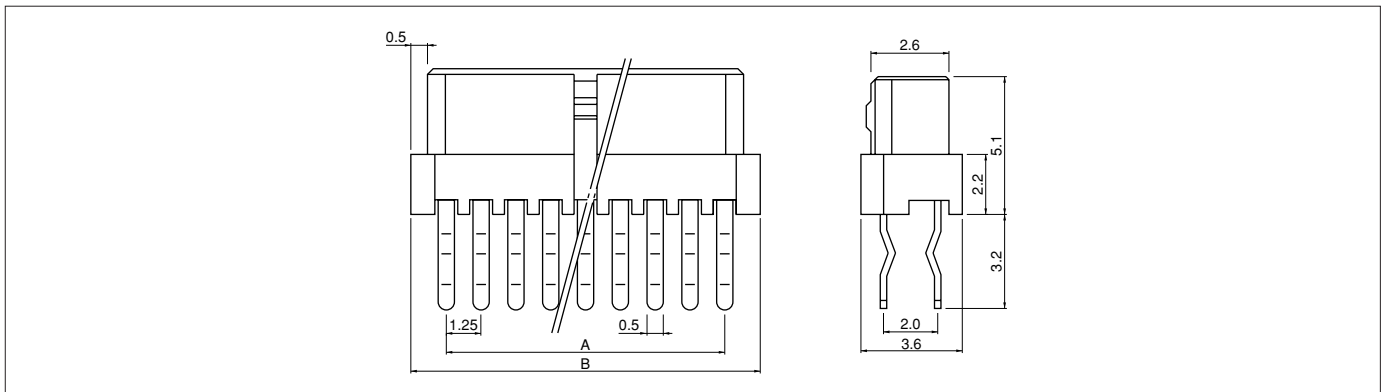
Circuits	Model No.		Dimensions (mm)		Qty / box
	Without stopper	With stopper	A	B	
5	05PS-JE	05PSL-JE	5.0	7.4	1,400
7	07PS-JE	07PSL-JE	7.5	9.9	1,050
9	09PS-JE	09PSL-JE	10.0	12.4	800
11	11PS-JE	11PSL-JE	12.5	14.9	700
13	13PS-JE	13PSL-JE	15.0	17.4	600
15	15PS-JE	15PSL-JE	17.5	19.9	500
17	17PS-JE	17PSL-JE	20.0	22.4	450
19	19PS-JE	19PSL-JE	22.5	24.9	400

Material and Finish

Contact: Brass, tin-plated (reflow treatment)
Housing: Glass-filled PA 66, UL94V-0

RoHS compliance

Receptacle



Circuits	Model No.	Dimensions (mm)		Qty / box
		A	B	
5	05R-JE	5.0	7.4	1,000
7	07R-JE	7.5	9.9	1,000
9	09R-JE	10.0	12.4	1,700
11	11R-JE	12.5	14.9	1,400
13	13R-JE	15.0	17.4	1,200
15	15R-JE	17.5	19.9	1,000
17	17R-JE	20.0	22.4	900
19	19R-JE	22.5	24.9	800

Material and Finish

Contact: Phosphor bronze, copper-undercoated, tin-plated (reflow treatment)
Housing: Glass-filled PA 66, UL94V-0

RoHS compliance This product displays (LF)(SN) on a label.