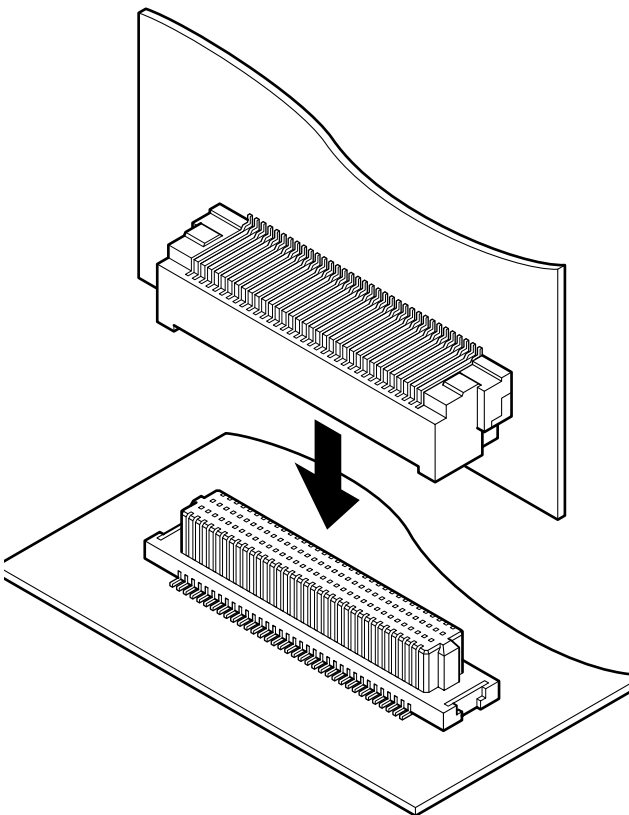


JMD CONNECTOR

Board-to-board connectors

JST

0.5mm
pitch



Features

• Smooth connection

Thanks to the cantilever type contacts, mating is very smooth.

• Distortion preventive construction

Box-shaped plug housing has the guide ribs on both ends, which prevents distortion, and offsetting the rib from the center axis provides the mating directionality.

• Wide range of circuits

No. of circuits available are from 20 to 100, every 10 circuits.

• Embossed taping for automatic mounting

This connector is supplied in embossed tape packaging, for mounting by automatic placement machines.

Specifications

- Current rating: 0.5A AC, DC
- Voltage rating: 50V AC, DC
- Temperature range: -25°C to +85°C
(including temperature rise in applying electrical current)
- Contact resistance: Initial value/50m Ω max.
After environmental testing/100m Ω max.
- Insulation resistance: 50M Ω min.
- Withstanding voltage: 100V AC/minute
- * RoHS compliant products are published.
- * Refer to "General Instruction and Notice when using Terminals and Connectors" at the end of this catalog.
- * Contact JST for details.

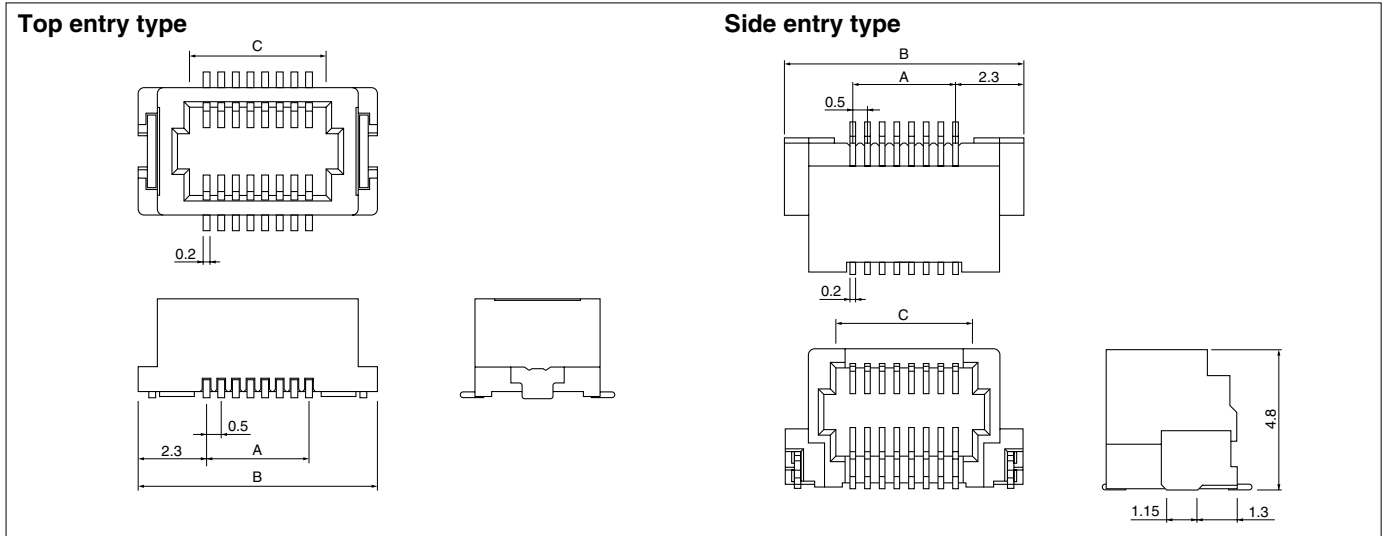
Standards

 Recognized E60389

 Certified LR20812

JMD CONNECTOR

Plug



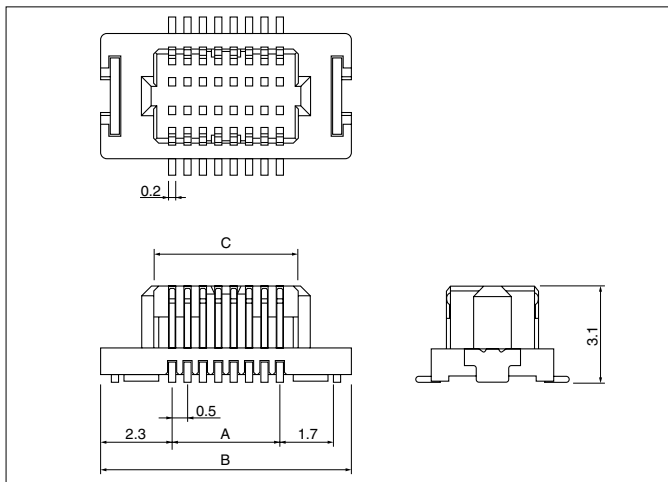
Circuits	Model No.				Dimensions (mm)			Q'ty / reel
	Top entry type			Side entry type	A	B	C	
	4.5mm	5.0mm	6.0mm					
20	20P-JMDSS-G-1-TF	—	—	20PS-JMDSS-G-1-TF	4.5	9.1	5.7	1,500
30	—	30P5.0-JMDSS-G-1-TF	—	30PS-JMDSS-G-1-TF	7.0	11.6	8.2	1,500
40	40P-JMDSS-G-1-TF	40P5.0-JMDSS-G-1-TF	—	40PS-JMDSS-G-1-TF	9.5	14.1	10.7	1,500
50	50P-JMDSS-G-1-TF	—	50P6.0-JMDSS-G-1-TF	50PS-JMDSS-G-1-TF	12.0	16.6	13.2	1,500
60	60P-JMDSS-G-1-TF	—	60P6.0-JMDSS-G-1-TF	60PS-JMDSS-G-1-TF	14.5	19.1	15.7	1,500
70	70P-JMDSS-G-1-TF	—	70P6.0-JMDSS-G-1-TF	70PS-JMDSS-G-1-TF	17.0	21.6	18.2	1,500
80	80P-JMDSS-G-1-TF	—	—	80PS-JMDSS-G-1-TF	19.5	24.1	20.7	1,500
100	100P-JMDSS-G-1-TF	—	—	100PS-JMDSS-G-1-TF	24.5	29.1	25.7	1,500

Material and Finish

Contact: Phosphor bronze, nickel-undercoated, gold-plated
Housing: PA 6T, UL94V-0
Solder tab: Brass, copper-undercoated, tin-plated (reflow treatment)

RoHS compliance This product displays (LF)(SN) on a label.
Note: The products listed above are supplied on embossed-tape.

Receptacle



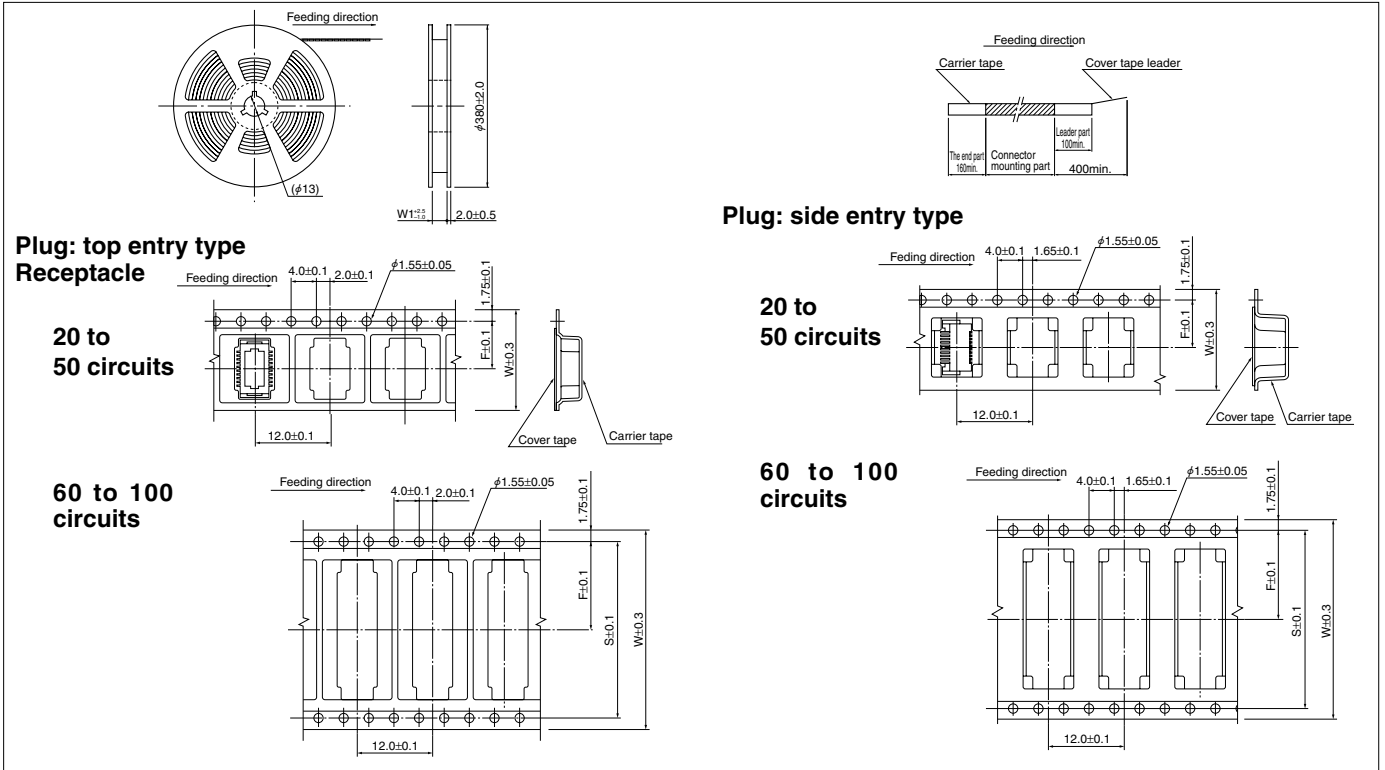
Circuits	Model No.	Dimensions (mm)			Q'ty / reel
		A	B	C	
20	20R-JMDSS-G-1-TF(S)	4.5	9.1	5.7	1,500
30	30R-JMDSS-G-1-TF(S)	7.0	11.6	8.2	1,500
40	40R-JMDSS-G-1-TF(S)	9.5	14.1	10.7	1,500
50	50R-JMDSS-G-1-TF(S)	12.0	16.6	13.2	1,500
60	60R-JMDSS-G-1-TF(S)	14.5	19.1	15.7	1,500
70	70R-JMDSS-G-1-TF(S)	17.0	21.6	18.2	1,500
80	80R-JMDSS-G-1-TF(S)	19.5	24.1	20.7	1,500
100	100R-JMDSS-G-1-TF(S)	24.5	29.1	25.7	1,500

Material and Finish

Contact: Phosphor bronze, nickel-undercoated, gold-plated
Housing: PA 6T, UL94V-0
Solder tab: Brass, copper-undercoated, tin-plated (reflow treatment)

RoHS compliance This product displays (LF)(SN) on a label.
Note: The products listed above are supplied on embossed-tape.

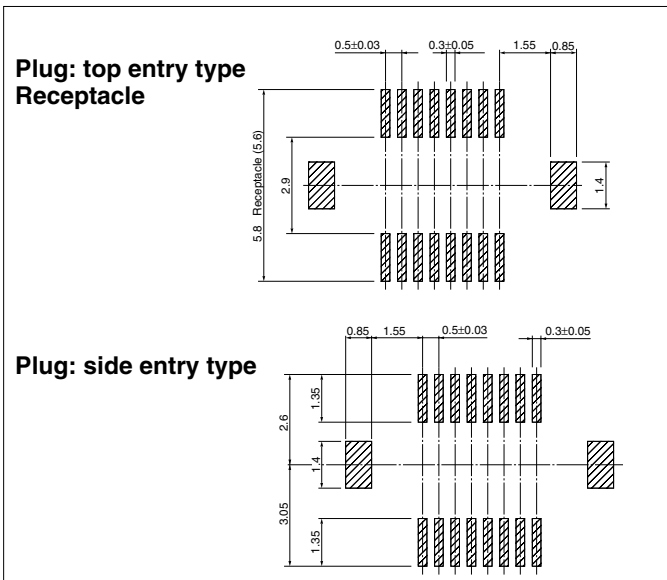
Taping specifications



Cir- cuits	Dimensions (mm)				Q'ty / reel
	F	S	W	W1	
20	7.5	—	16.0	17.5	1,500
30	11.5	—	24.0	25.5	1,500
40	11.5	—	24.0	25.5	1,500
50	11.5	—	24.0	25.5	1,500
60	14.2	28.4	32.0	32.0	1,500
70	14.2	28.4	32.0	32.0	1,500
80	20.2	40.4	44.0	44.0	1,500
100	20.2	40.4	44.0	44.0	1,500

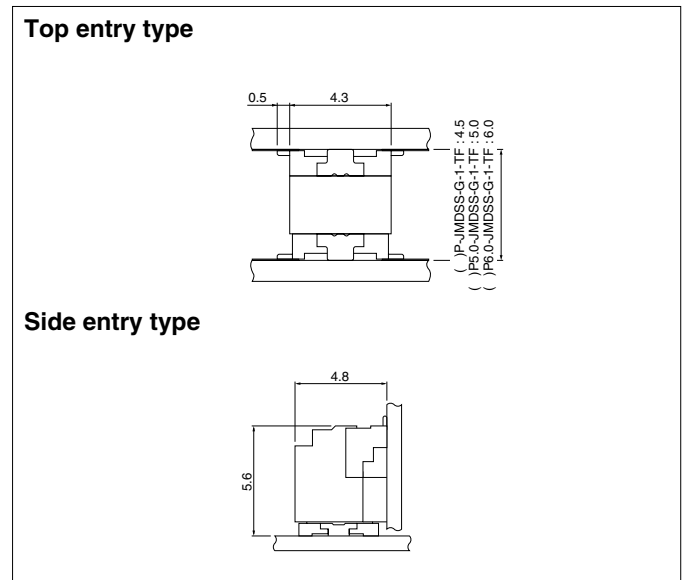
Note: 1. Specifications conform to JIS C 0806. The tape width, connector loading recess square hole dimensions, etc. are determined by the number of circuits and external shape of the connector to be loaded.
2. Specifications are subject to change without prior notice.

PC board layout (viewed from component side)



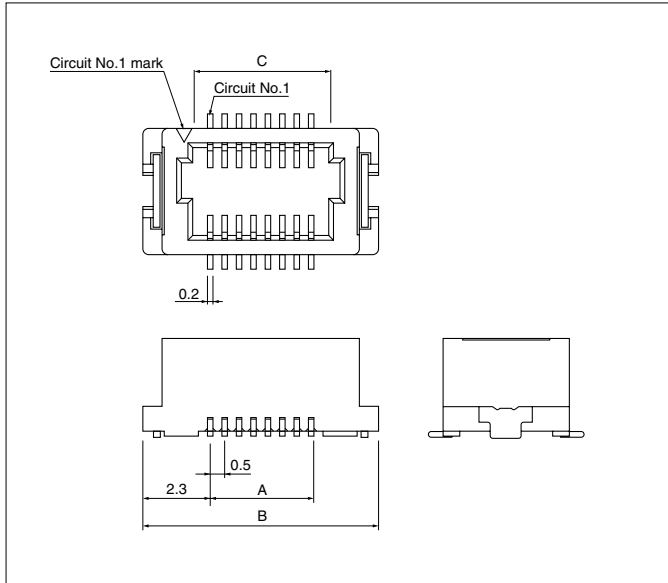
Note:
1. Tolerances are non-cumulative: $\pm 0.03\text{mm}$ for all centers.
2. The dimensions above should serve as a guideline. Contact JST for details.

Assembly layout



JMD CONNECTOR

Plug with polarizing key



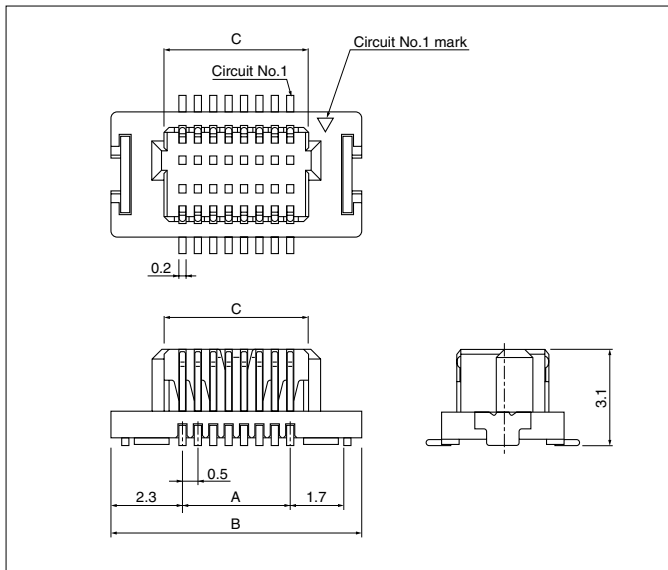
Cir- cuits	Model No.	Dimensions (mm)			Q'ty / reel
	Stacking height /4.5mm	A	B	C	
60	60P-JMDHS-GAN-1A-TF (A)	14.5	19.1	15.7	1,500

Material and Finish

Contact: Phosphor bronze, nickel-underplated, gold-plated (nickel-stripe)
Housing: PA6T, UL94V-0, gray
Solder tab: Brass, copper-undercoated, tin-plated (reflow treatment)

RoHS compliance This product displays (LF)(SN) on a label.
This products listed above are supplied on embossed-tape.

Receptacle with polarizing key



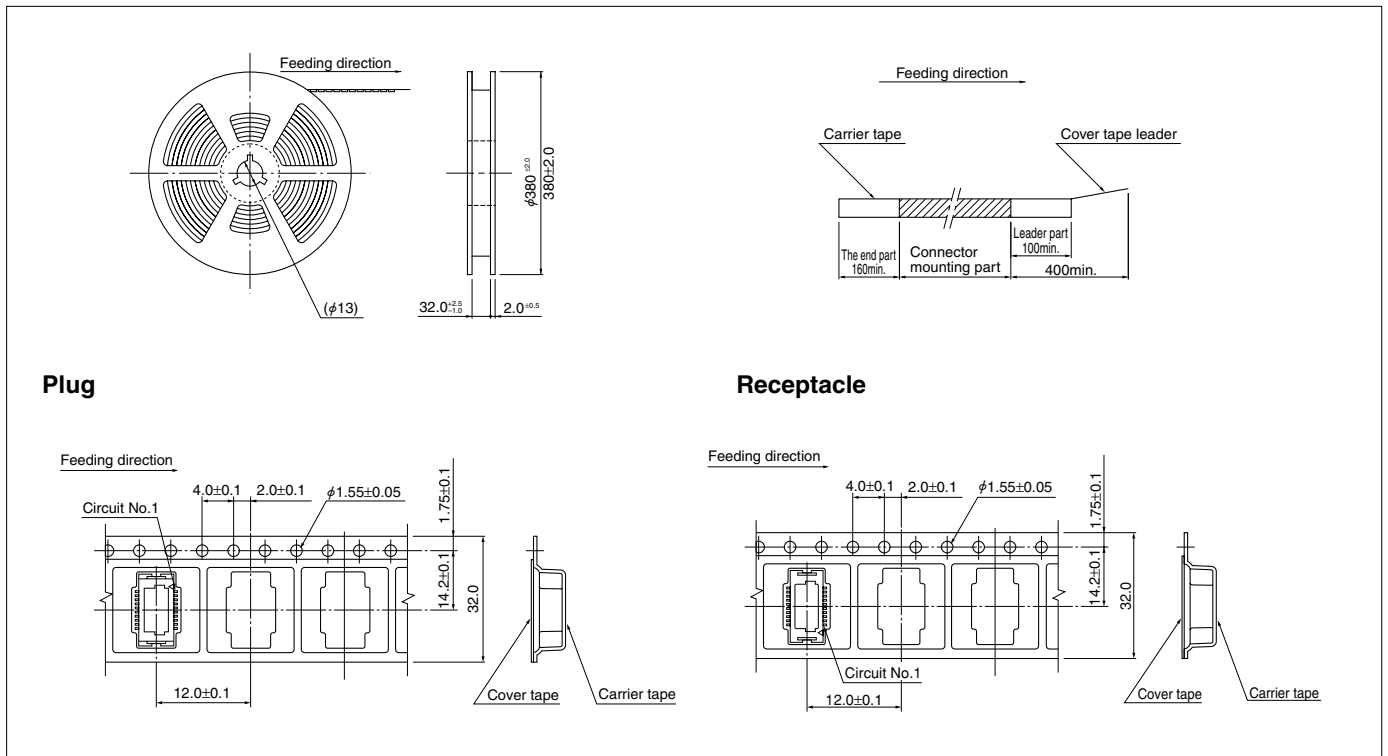
Cir- cuits	Model No.	Dimensions (mm)			Q'ty / reel
	Stacking height /4.5mm	A	B	C	
60	60R-JMDHS-GAN-1A-TF (SA)	14.5	19.1	15.7	1,500

Material and Finish

Contact: Phosphor bronze, nickel-underplated, gold-plated (nickel-stripe)
Housing: PA6T, UL94V-0, gray
Solder tab: Brass, copper-undercoated, tin-plated (reflow treatment)

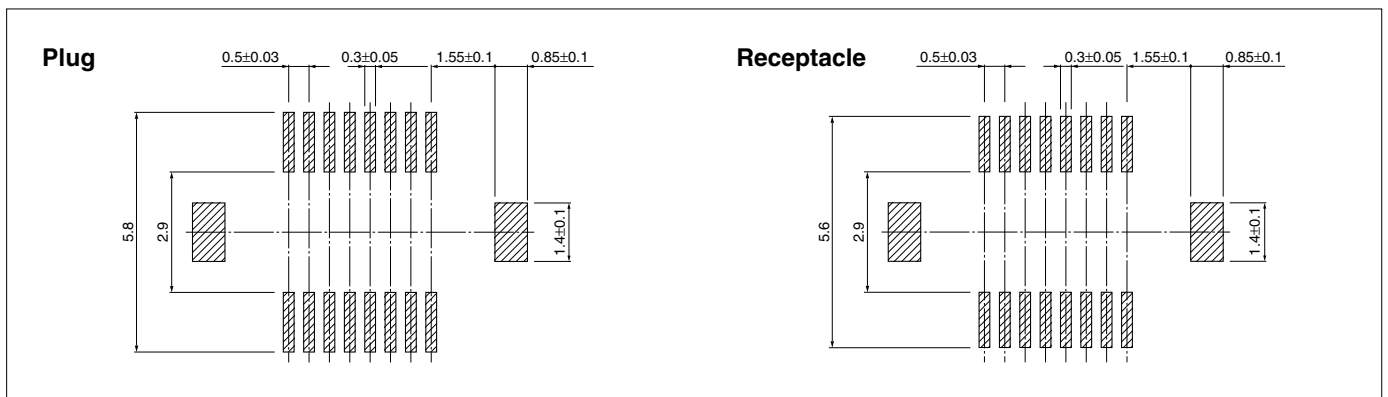
RoHS compliance This product displays (LF)(SN) on a label.
This products listed above are supplied on embossed-tape.

Taping specifications / with polarizing key



Note: 1. Specifications conform to JIS C 0806. The tape width, connector loading recess square hole dimensions, etc. are determined by the number of circuits and external shape of the connector to be loaded.
 2. Specifications are subject to change without prior notice.

PC board layout (viewed from component side) / with polarizing key



Note: 1. Tolerances are non-cumulative: -0.03mm for all centers.
 2. The dimensions above should serve as a guideline. Contact JST for details.

Assembly layout / with polarizing key

