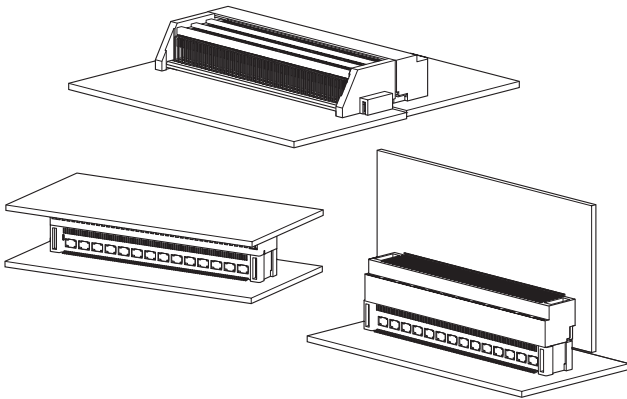




# JU CONNECTOR

0.6mm pitch/Board-to-board connectors



*JU connector is developed upon recent market requirement, which demands higher density for digitized electronic equipment. Various mating combination can be chosen at your purpose vertically/horizontally, both plug and receptacle are available top and side entry. Box type wafer prevents from scattered flux equipped with polarized shape which guides correct mating. Longer mating stroke stabilize and secure mating and contact performance.*

- Higher density contributes
- Various combination
- Lower insertion force

## Specifications

- Current rating: 0.5A AC, DC
- Voltage rating: 50V AC, DC
- Temperature range: -25°C to +85°C  
(including temperature rise in applying electrical current)
- Contact resistance: Initial value/80m Ω max.  
After environmental testing/100m Ω max.
- Insulation resistance: 50M Ω min.
- Withstanding voltage: 100V AC/minute
- Applicable PC board thickness: 1.6mm
- \* RoHS compliant products are published.
- \* Refer to "General Instruction and Notice when using Terminals and Connectors" at the end of this catalog.
- \* Contact JST for details.

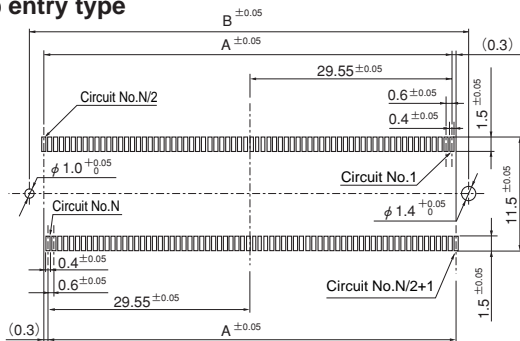
## Standards

Recognized E60389

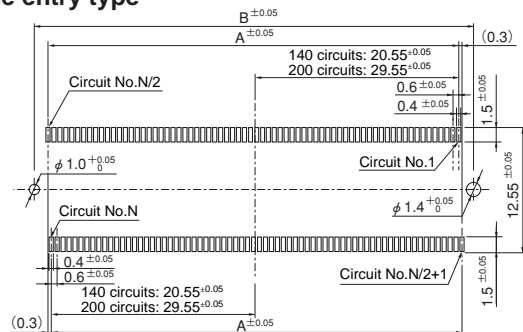
Certified LR20812

## PC board layout (viewed from component side)

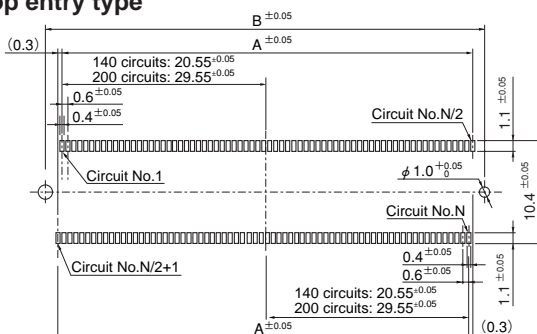
### Plug Top entry type



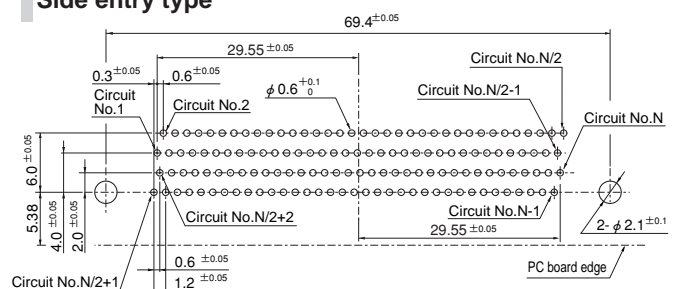
### Plug Side entry type



### Receptacle Top entry type



### Receptacle Side entry type



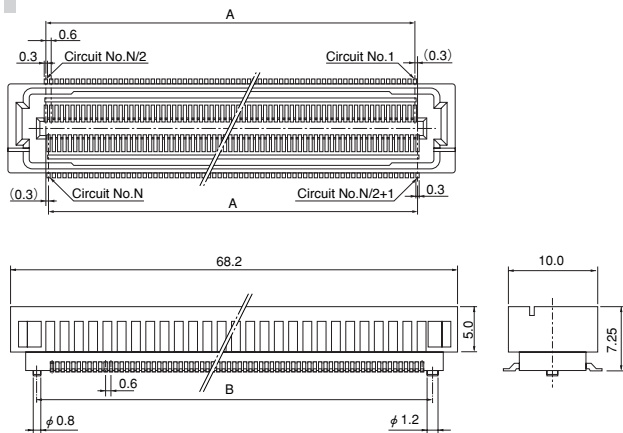
Note: 1. Tolerances are non-cumulative: ±0.05mm for all centers.

2. Hole dimensions differ according to the kind of PC board and piercing method. The dimensions above should serve as a guideline. Contact JST for details.

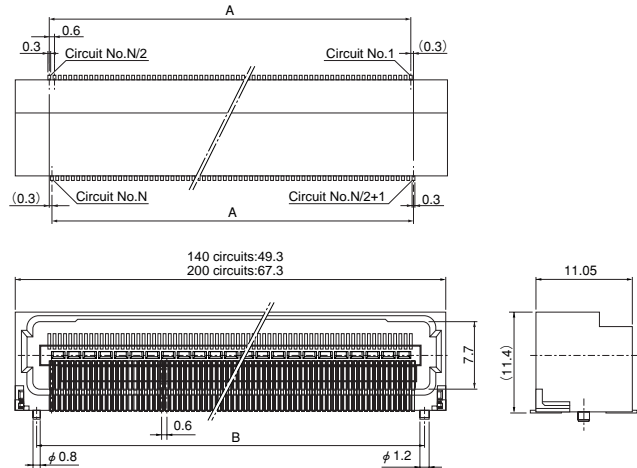
# JU CONNECTOR

## Plug

### Top entry type



### Side entry type



Cir- cuits	Model No.		Dimensions(mm)		Q'ty / box	
	Top entry type	Side entry type	A	B	Top entry type	Side entry type
140	—	<b>140PS-JUK-G-B(A)</b>	41.4	44.5	—	60
200	<b>200P-JUK-G-B</b>	<b>200PS-JUK-G-B(A)</b>	59.4	62.5	75	60

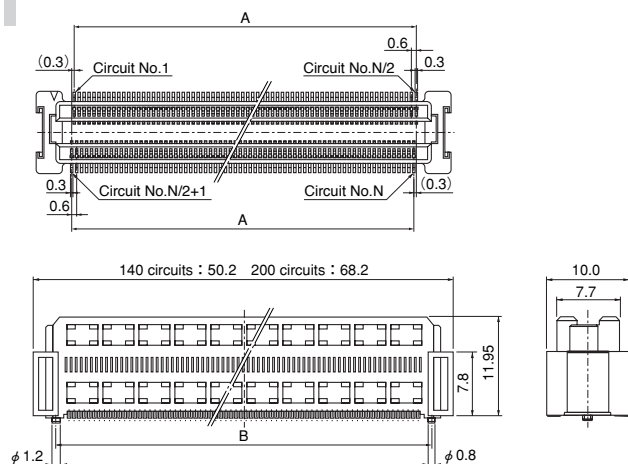
#### Material and Finish

Contact: Copper alloy, nickel-undercoated, gold-plated  
Housing: LCP, UL94V-0

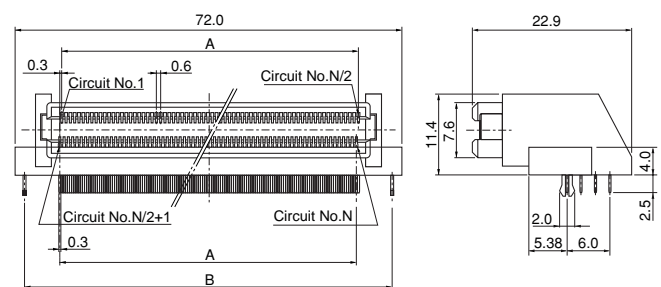
RoHS compliance

## Receptacle

### Top entry type



### Side entry type



### Top entry type

Cir- cuits	Model No.	Dimensions(mm)		Q'ty / box
		A	B	
140	<b>140R-JUK-G-B</b>	41.4	44.5	45
200	<b>200R-JUK-G-B</b>	59.4	62.5	45

#### Material and Finish

Contact: Copper alloy, nickel-undercoated, gold-plated  
Housing: LCP, UL94V-0

RoHS compliance

### Side entry type

Cir- cuits	Model No.	Dimensions(mm)		Q'ty / box
		A	B	
200	<b>200RS-JUK-GB</b>	59.4	69.4	128

#### Material and Finish

Contact: Copper alloy, nickel-undercoated, Mating part: gold-plated  
Solder tail: tin/copper alloy-plated  
Housing: LCP, UL94V-0  
Locator: Synthetic resin  
Solder tab: Copper-alloy, tin-plated (reflow treatment)

RoHS compliance