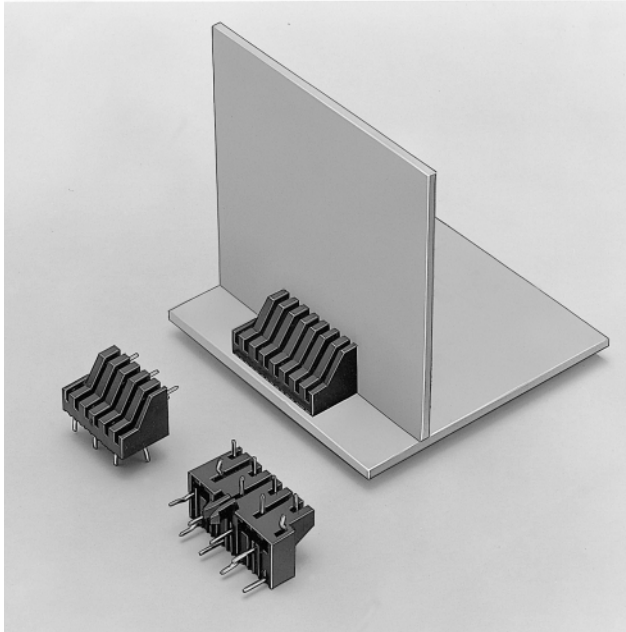




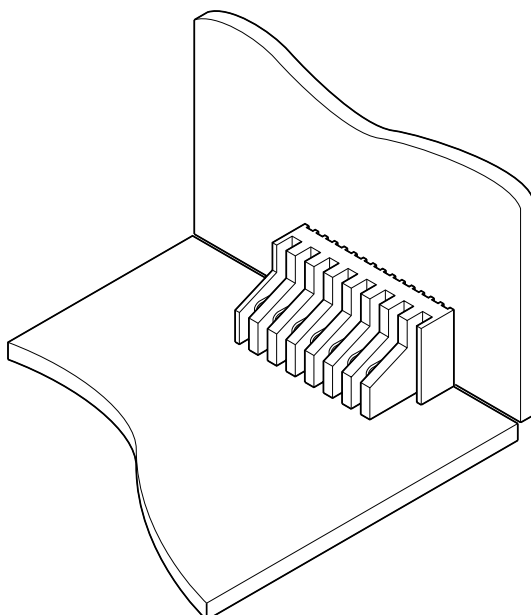
2.5mm
pitch

MBS HEADER

Headers



The MBS headers can be used to directly connect PC boards.
The staggered pins improve the mechanical strength of the daughter card restraining system.
The MBS header is supplied radial-taped for automatic mounting.



Features

• **Tape specifications conform to JIS standards**

The tape specifications for this header conform to JIS standards for radially lead components on tape (JIS C0805). The header can thus be loaded into most general-purpose radial lead component insertion machines.

• **Staggered pins**

The 2.5mm pitch staggered pins increase the mechanical stability and strength of the connector's solder points. The MBS connector also features solder crack preventing materials.

• **Temporary board retention feature**

The MBS header has a locking boss that allows it to be temporarily mounted on the printed circuit board. This prevents the header from lifting or changing position while it is being processed.

Specifications

- Current rating: 1.0A AC, DC
- Voltage rating: 250V AC, DC
- Temperature range: -25°C to +85°C
(including temperature rise in applying electrical current)
- Applicable PC board thickness: 1.6mm
- * RoHS compliant products are published.
- * Refer to "General Instruction and Notice when using Terminals and Connectors" at the end of this catalog.
- * Contact JST for details.

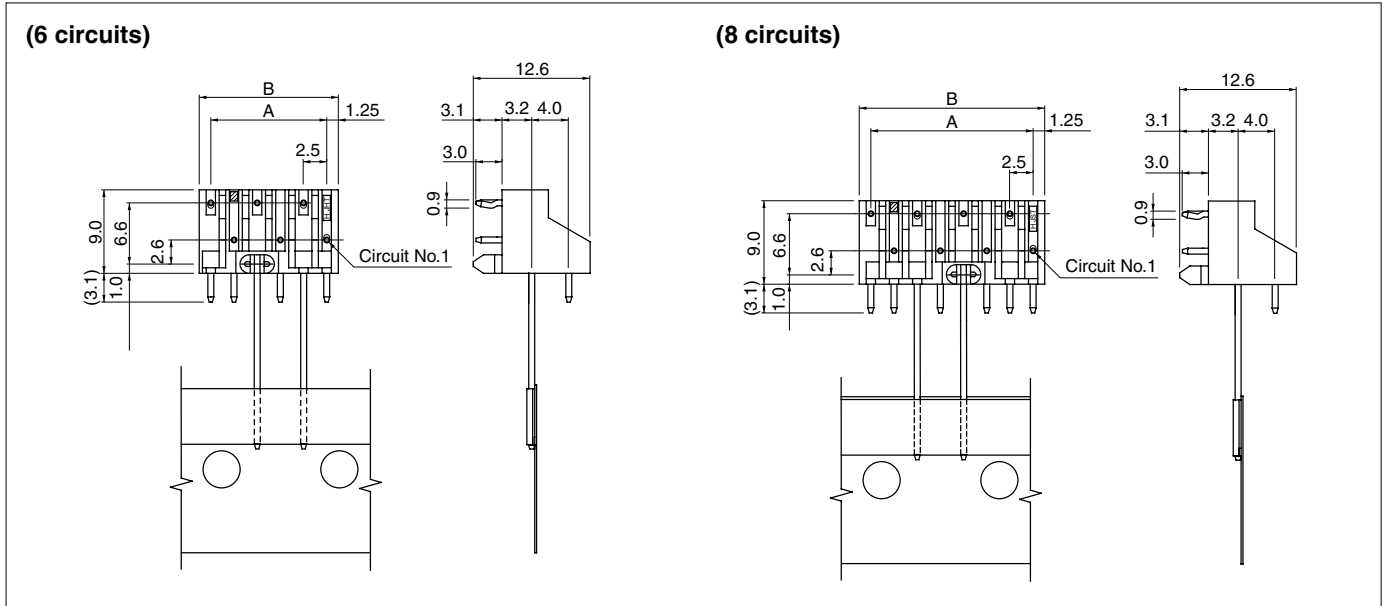
Standards

 Recognized E60389

 Certified LR20812

MBS HEADER

Header



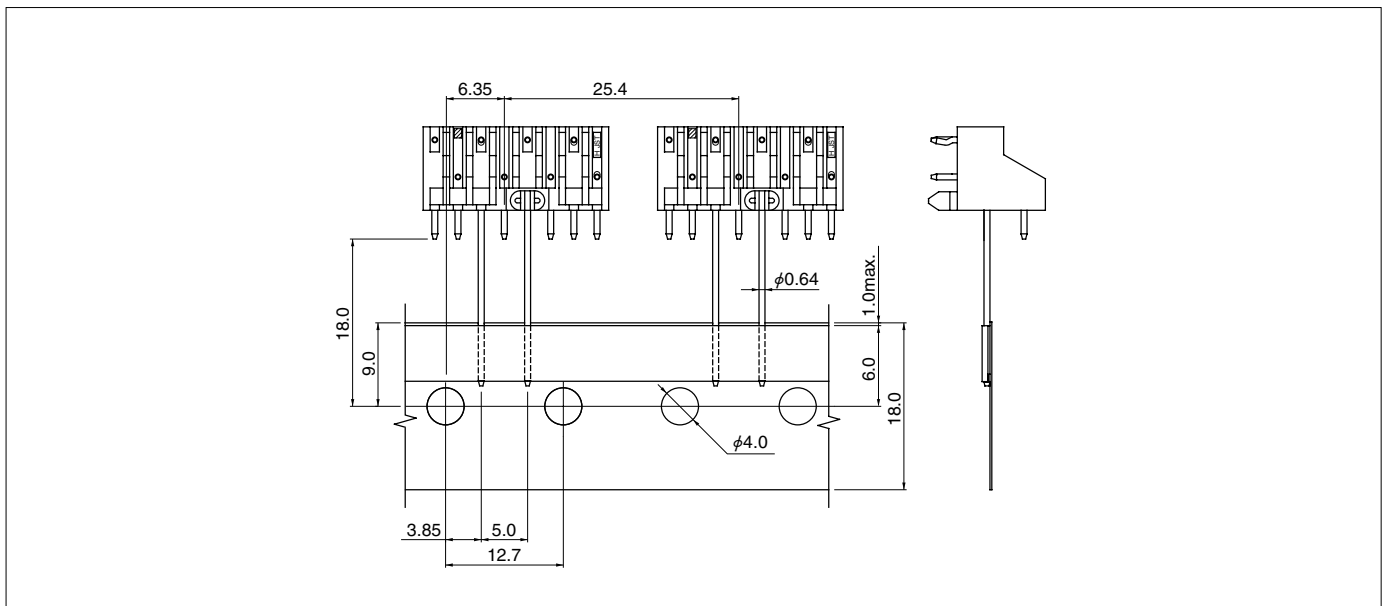
Circuits	Model No.	Dimensions (mm)		Q'ty / box
		A	B	
6	MBS06P-1T	12.5	15.0	300
8	MBS08P-1T	17.5	20.0	300

Material and Finish

Post: Brass copper-undercoated, tin-plated (reflow treatment)
 Wafer: Glass-filled PBT, UL94V-0

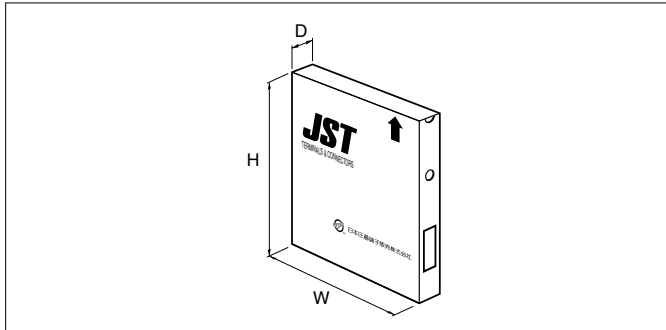
RoHS compliance This product displays (LF)(SN) on a label.

Tape dimensions



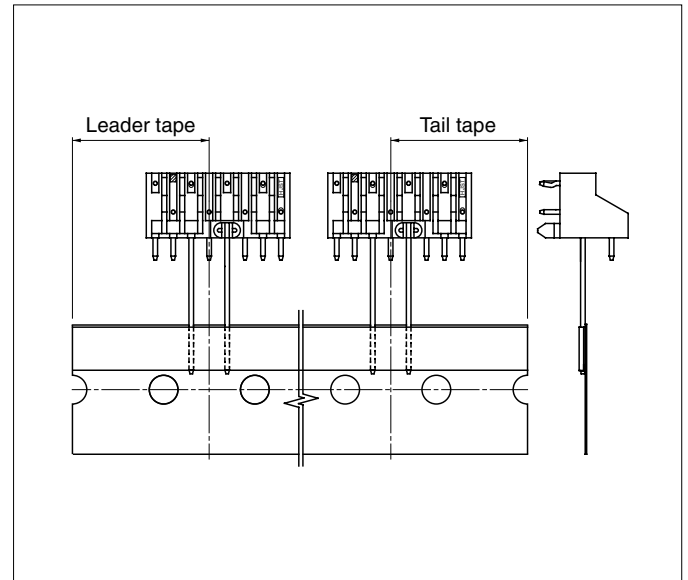
Note: Conforms to JIS C 0806.

Packaging specifications

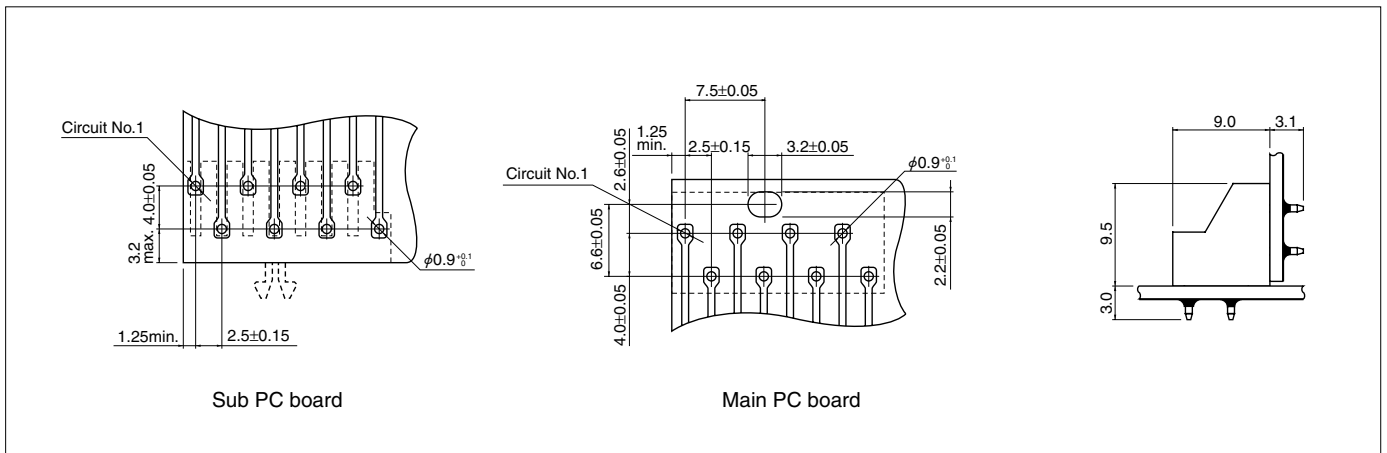


Package type	Flat pack (zigzag folded)
Distance between folds	24 indexing holes per fold [304.8mm]
Box size	316(W)x45(D)x314(H)mm
Distance between the end of the tape and the first connector's center line (either end)	19.05mm

Note: Products with different packaging specifications are also available.
Contact JST for details.



PC board layout (viewed from soldering side) and Assembly layout



Note:

1. Tolerances are non-cumulative: $\pm 0.05\text{mm}$ for all centers.
2. Hole dimensions differ according to the kind of PC board and piercing method.
The dimensions above should serve as a guideline. Contact JST for details.