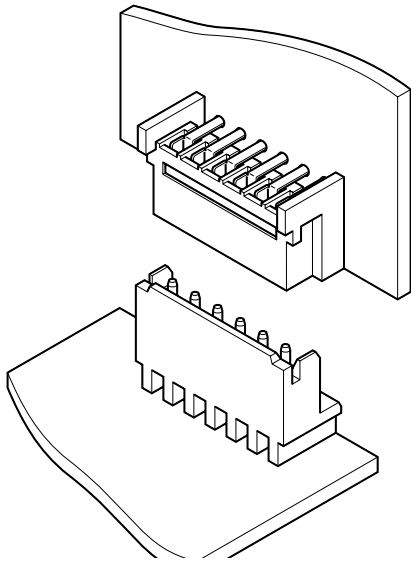


MQ CONNECTOR

2.0mm pitch/Board-to-board connectors



Measuring 2.0mm in pitch, 9.2mm in mounting height and 5.5mm in thickness, this board-to-board connector makes high-density mounting of components in electronic products possible. It is ideal for small electronic products, such as portable VCRs and video cameras, which require high-density mounting and high reliability.

- **Back-up support spring construction**
- **Easy insertion**
- **Board retention feature**

Specifications

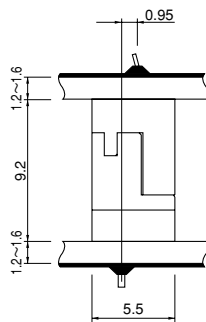
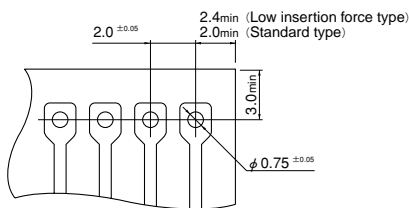
- Current rating: 1.0A AC, DC
- Voltage rating: 250V AC, DC
- Temperature range: -25°C to +85°C
(including temperature rise in applying electrical current)
- Contact resistance: Initial value/10m Ω max.
After environmental testing/20m Ω max.
- Insulation resistance: 1,000M Ω min.
- Withstanding voltage: 800V AC/minute
- Applicable PC board thickness: 1.2 to 1.6mm
- * RoHS compliant products are published.
- * Refer to "General Instruction and Notice when using Terminals and Connectors" at the end of this catalog.
- * Contact JST for details.

Standards

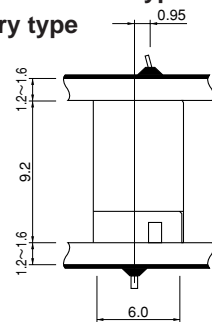
- Ⓜ Recognized E60389
- Ⓢ Certified LR20812
- Ⓜ R9351042

PC board layout (viewed from soldering side) and Assembly layout

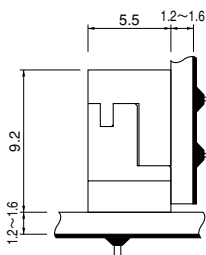
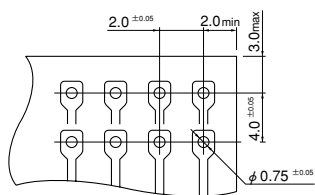
Top entry type



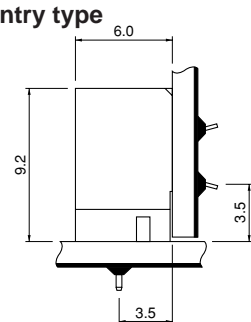
Low insertion force type Top entry type



Side entry type



Low insertion force type Side entry type



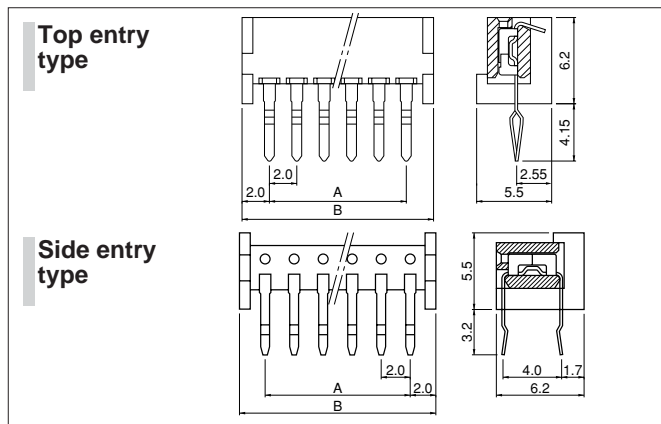
Note: 1. The PC board layout of the header is identical to that of the top entry receptacle.

2. Tolerances are non-cumulative: ±0.05mm for all centers.

3. Hole dimensions differ according to the kind of PC board and piercing method. The dimensions above should serve as a guideline. Contact JST for details.

MQ CONNECTOR

Receptacle



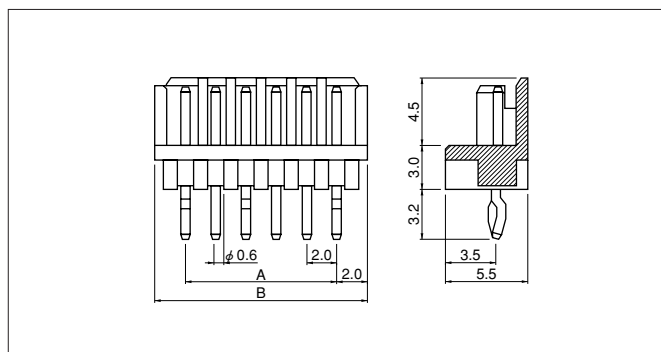
Circuits	Model No.		Dimensions (mm)		Qty / box	
	Top entry type	Side entry type	A	B	Top entry type	Side entry type
5	05MQ-BT	05MQ-ST	8.0	12.0	500	500
6	06MQ-BT	06MQ-ST	10.0	14.0	500	500
7	07MQ-BT	07MQ-ST	12.0	16.0	500	500
8	08MQ-BT	08MQ-ST	14.0	18.0	500	250
9	09MQ-BT	09MQ-ST	16.0	20.0	500	250
10	10MQ-BT	10MQ-ST	18.0	22.0	250	250
12	12MQ-BT	12MQ-ST	22.0	26.0	250	250

Material and Finish

Contact: Phosphor bronze, tin-plated (reflow treatment)
Housing: PA 66, UL94V-0, natural

RoHS compliance

Shrouded header



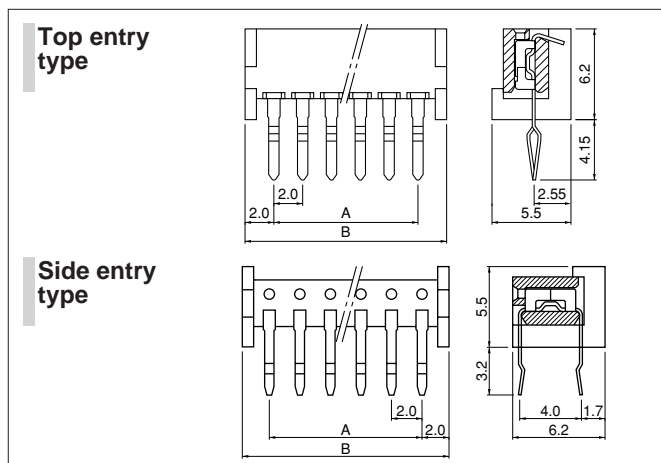
Circuits	Model No.	Dimensions (mm)		Qty/box
		A	B	
5	B5P-MQ	8.0	12.0	500
6	B6P-MQ	10.0	14.0	500
7	B7P-MQ	12.0	16.0	500
8	B8P-MQ	14.0	18.0	500
9	B9P-MQ	16.0	20.0	500
10	B10P-MQ	18.0	22.0	250
12	B12P-MQ	22.0	26.0	200

Material and Finish

Pin: Brass, copper-undercoated, tin-plated (reflow treatment)
Wafer: PA 66, UL94V-0, natural

RoHS compliance This product displays (LF)(SN) on a label.

Low insertion force type Receptacle



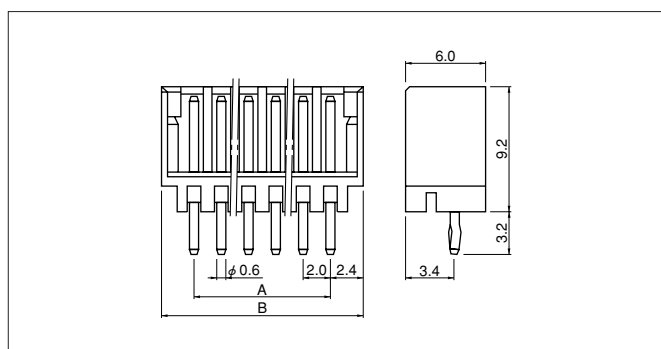
Circuits	Model No.		Dimensions (mm)		Qty/box	
	Top entry type	Side entry type	A	B	Top entry type	Side entry type
4	04MQ-BT-L	04MQ-ST-L	6.0	10.0	500	500
5	05MQ-BT-L	05MQ-ST-L	8.0	12.0	500	500
6	06MQ-BT-L	06MQ-ST-L	10.0	14.0	500	500
7	07MQ-BT-L	07MQ-ST-L	12.0	16.0	500	500
8	08MQ-BT-L	08MQ-ST-L	14.0	18.0	500	250
9	09MQ-BT-L	09MQ-ST-L	16.0	20.0	500	250
10	10MQ-BT-L	10MQ-ST-L	18.0	22.0	250	250
12	12MQ-BT-L	12MQ-ST-L	22.0	26.0	250	250

Material and Finish

Contact: Phosphor bronze, tin-plated (reflow treatment)
Housing: PA 66, UL94V-0, natural

RoHS compliance

Low insertion force type Shrouded header



Circuits	Model No.	Dimensions (mm)		Qty/box
		A	B	
4	B4P-MQ-C	6.0	10.8	500
5	B5P-MQ-C	8.0	12.8	500
6	B6P-MQ-C	10.0	14.8	500
7	B7P-MQ-C	12.0	16.8	250
8	B8P-MQ-C	14.0	18.8	250
9	B9P-MQ-C	16.0	20.8	250
10	B10P-MQ-C	18.0	22.8	250
12	B12P-MQ-C	22.0	26.8	200

Material and Finish

Pin: Brass, copper-undercoated, tin-plated (reflow treatment)
Wafer: PA 66, UL94V-0

RoHS compliance This product displays (LF)(SN) on a label.