

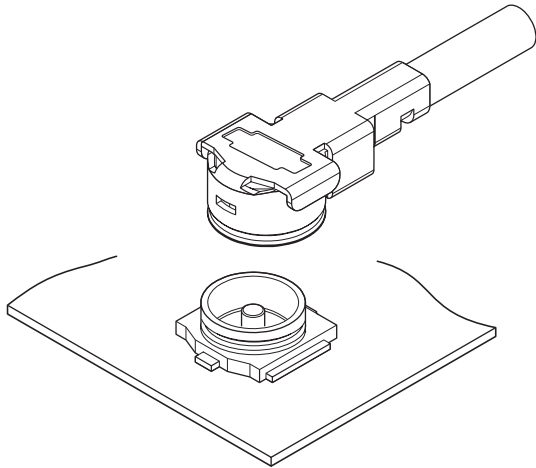


AYU3 CONNECTOR

Co-axial connector



Frequency up to 6GHz



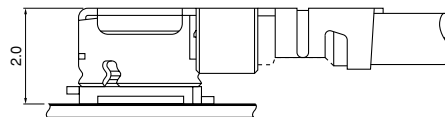
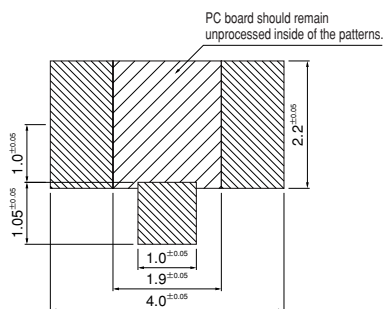
Miniaturized coaxial connector that responds to miniaturized telecommunications apparatus.

- **Space saving design**
- **High performance of electrical feature**
- **Embossed taping for automatic mounting**

Specifications

- Characteristic impedance: 50Ω
- Frequency range: 0.045MHz to 6GHz
- Voltage standing wave ratio: 1.3 max.
- Temperature range: -25°C to +85°C
(including temperature rise in applying electrical current)
- Withstanding voltage: 200V AC/minute
- * RoHS compliant products are published.
- * Refer to "General Instruction and Notice when using Terminals and Connectors" at the end of this catalog.
- * Contact JST for details.

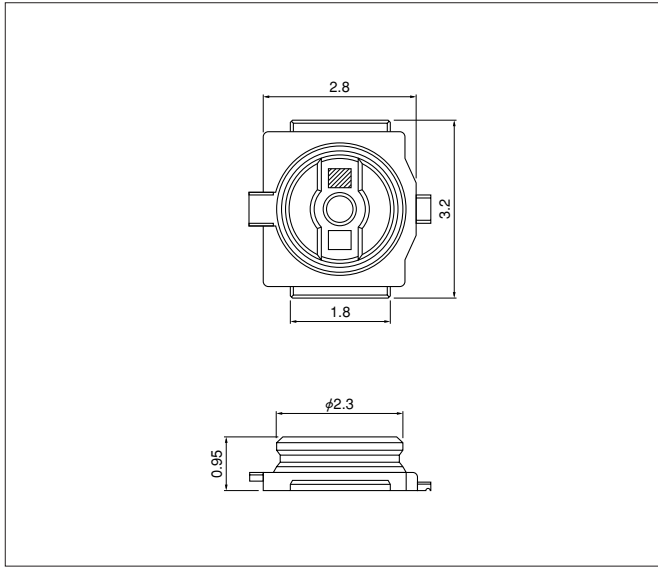
PC board layout (viewed from component side) and Assembly layout



Note: Tolerances are non-cumulative: ±0.05mm for all centers. The dimensions above should serve as a guideline. Contact JST for details.

AYU3 CONNECTOR

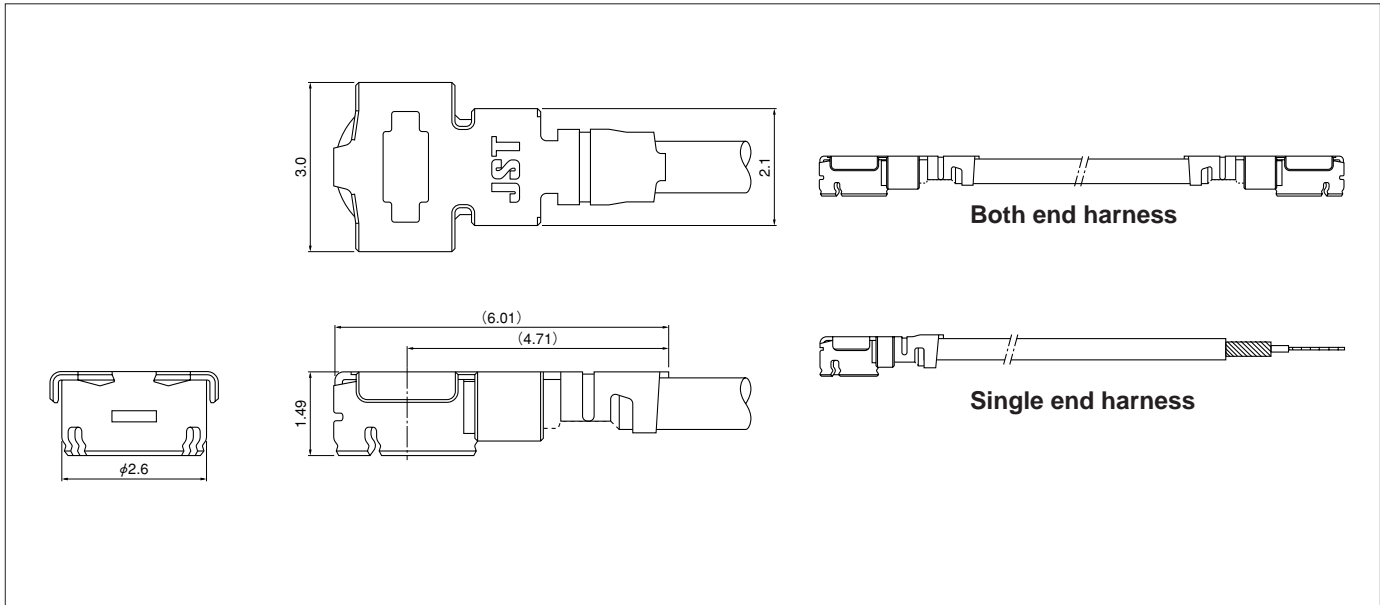
Base



Model No.	Material and Finish	Qty / reel
AYU3-1P-02271-120	Contact: Copper alloy, nickel-undercoated, gold-plated Housing: Heat resisting resin, UL94V-0 Shell: Copper alloy, copper-undercoated, silver-plated	3,000

RoHS compliance

Socket (Harness assembly)



Model No.	Material and Finish
AYU3-1S26-XXXX-000V (Both end harness)	Contact: Copper alloy, nickel-undercoated, gold-plated Housing: Thermoplastic resin, UL94V-0 Shell: Copper alloy, copper-undercoated, silver-plated
AYU3-1S26-SYYYY-ZZZV (Single end harness)	

Note: 1. Contact JST for RoHS compliance of harness assembly.

2. The following alphabet and number shall be put in the model No.

X...alphabet denotes cable end treatment

Y...number denotes harness length

Z...number denotes strip length

V...alphabet denotes color identification

Example 1...Cable end treatment: both end harness, harness length: 251mm, wire color: yellow

Model No.: AYU3-1S26-D0251-000Y

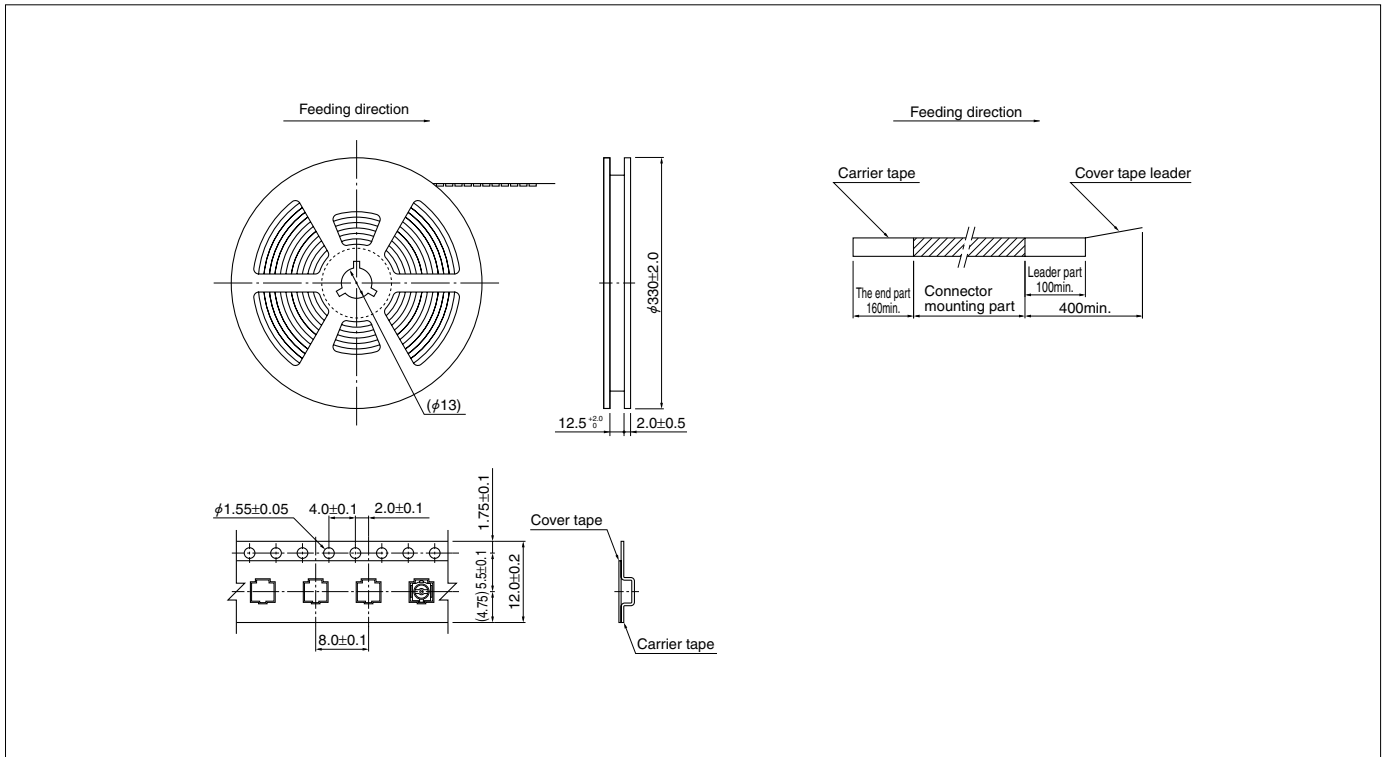
Example 2...Cable end treatment: single end harness, harness length: 200mm, strip length: [conductor 2.0mm, dielectric 1.0mm, braided 1.0mm], wire color: red

Model No.: AYU3-1S26-S0200-211R

3. Contact JST for details about overall length and cable and treatment.

AYU3 CONNECTOR

Taping specifications



Note: 1. Specifications conform to JIS C 0806. The tape width, connector loading recess square hole dimensions, etc. are determined by the number of circuits and external shape of the connector to be loaded.
2. Specifications are subject to change without prior notice.