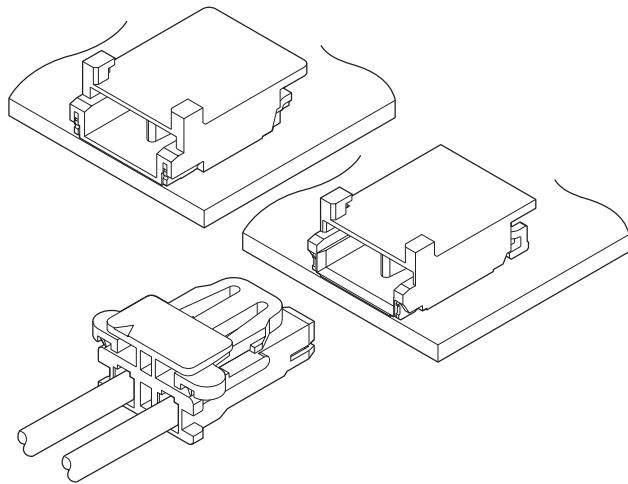




BD CONNECTOR (3.5mm)

3.5mm pitch/Disconnectable Crimp style connectors



Board-to-wire connector with high withstanding voltage, used for power supply of LCD (Liquid Crystal Display) back light.

- Secure locking mechanism
- High withstand voltage design
- Low profile
- Compatibility

Specifications

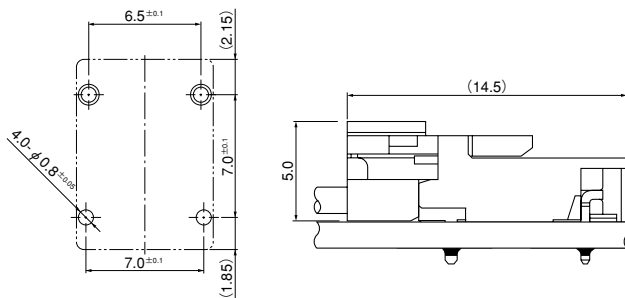
- Current rating: 1.0A AC, DC (AWG #24)
- Voltage rating: 1,400V AC, DC
- Temperature range: -25°C to +85°C
(including temperature rise in applying electrical current)
- Contact resistance: Initial value/10m Ω max.
After environmental testing/20m Ω max.
- Insulation resistance: 1,000M Ω min.
- Withstanding voltage: 3,800V AC/minute
- Applicable wire: AWG #28 to #24
- * RoHS compliant products are published.
- * Refer to "General Instruction and Notice when using Terminals and Connectors" at the end of this catalog.
- * Contact JST for details.

Standards

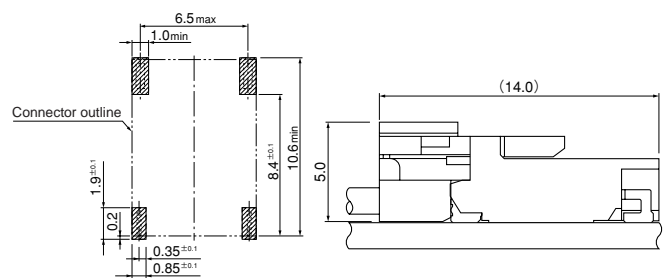
Recognized E60389

PC board layout (viewed from component side) and Assembly layout

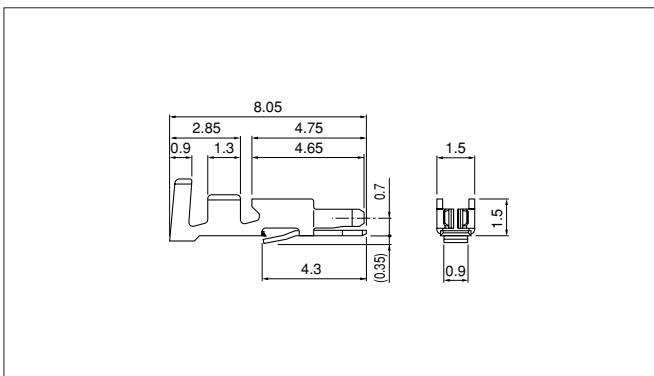
Through-hole type



SMT type



Contact



Model No.	Applicable wire		Insulation O.D. (mm)	Q'ty / reel
	mm ²	AWG#		
SBHS-002T-P0.5A	0.08~0.22	28~24	0.9~1.7	10,000

Material and Finish

Phosphor bronze, tin-plated (reflow treatment)

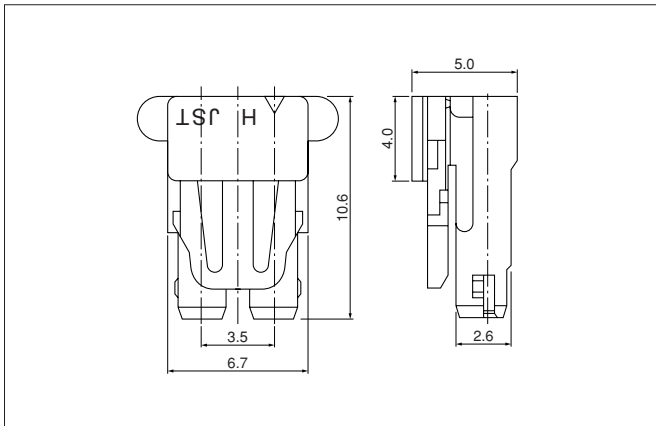
RoHS compliance

Note: Contact JST for SBHS-002T-P0.5.

Contact	Crimping machine	Applicator		
		Crimp applicator	Dies	Crimp applicator with dies
SBHS-002T-P0.5A	AP-K2N	MKS-L	MK/SBHS-002-05	APLMK SBHS002-05

BD CONNECTOR (3.5mm)

Housing



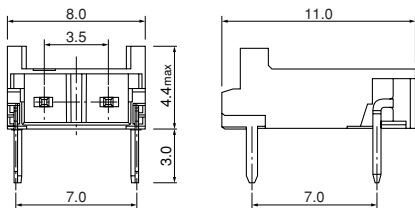
Circuits	Model No.	Q'ty / bag
2	BDMR-02VS-2	1,000

Material
PA 66, UL94V-0, natural (white)

RoHS compliance

Header

Through-hole type



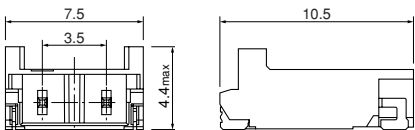
Through-hole type

Circuits	Model No.	Q'ty / box
2	S02-BDS-3-B	1,000

Material and Finish
Press pin: Brass, Copper-undercoated, tin-plated (reflow treatment) Wafer: Heat resisting resin, UL94V-0, natural (ivory) Solder tab: Brass, Copper-undercoated, tin-plated (reflow treatment)

RoHS compliance This product displays (LF)(SN) on a label.

SMT type



SMT type

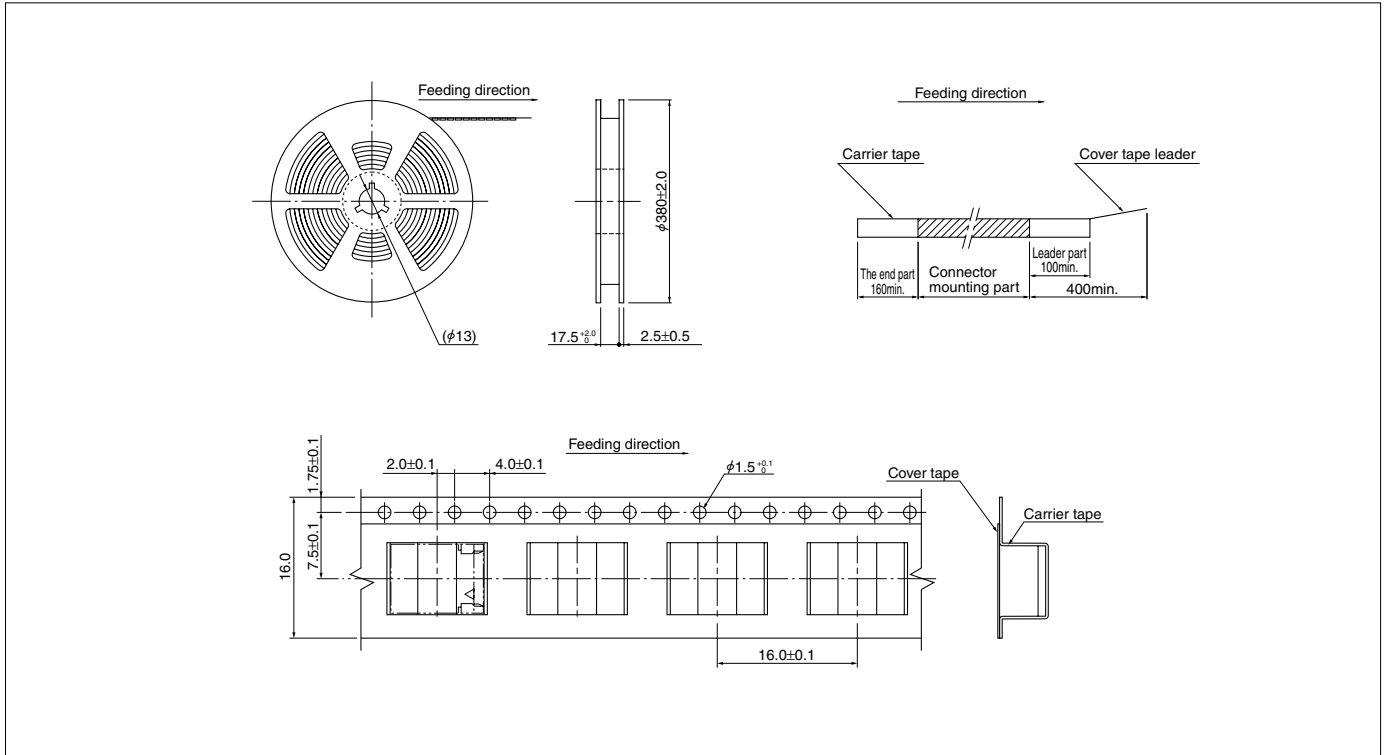
Circuits	Model No.	Q'ty / reel
2	SM02-BDS-3-TB	1,000

Material and Finish
Post: Brass, Copper-undercoated, tin-plated (reflow treatment) Wafer: Heat resisting resin, UL94V-0, natural (ivory) Solder tab: Brass, Copper-undercoated, tin-plated (reflow treatment)

RoHS compliance This product displays (LF)(SN) on a label.
Note: The product listed above is supplied on embossed tape.

BD CONNECTOR (3.5mm)

Taping specifications



Note:

1. Specifications conform to JIS C 0806. The tape width, connector loading recess square hole dimensions, etc. are determined by the number of circuits and external shape of the connector to be loaded.
2. Specifications are subject to change without prior notice.