

JST

Crimp

2.3mm
pitch

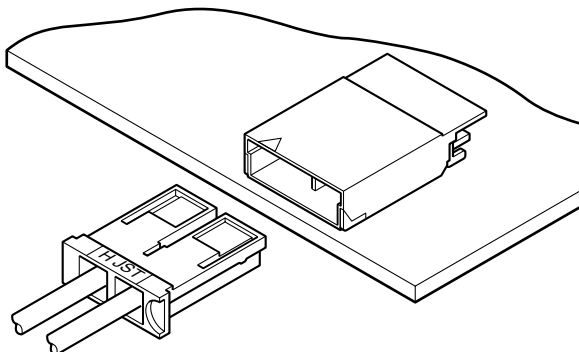
BHL CONNECTOR

Disconnectable Crimp style connectors

Emboss Tape



Low profile connector with high withstanding voltage, designed for connecting liquid crystal display backlight lamps to their starters. The BHL connector is 2.8mm thick, so the mounting height is only 3.0mm.



Features

• Contact lances

Contacts are secured in the housing by their spring action, thus fully shrouded. This helps improve the withstanding voltage.

• Anti-misinsertion housing

The housing has mis-insertion preventive guides on both sides. Housing locks prevent release of the housing that might result from vibration or shock.

Specifications

- Current rating: 1.0A AC, DC (AWG #24)
 - Voltage rating: 1,400V AC, DC
 - Temperature range: -25°C to +85°C
(including temperature rise in applying electrical current)
 - Contact resistance: Initial value/10m Ω max.
After environmental testing/20m Ω max.
 - Insulation resistance: 1,000M Ω min.
 - Withstanding voltage: 3,800V AC/minute
 - Applicable wire: Conductor/AWG #28 to #24
Insulation O. D./0.9 to 1.7mm
- * RoHS compliant products are published.
* Refer to "General Instruction and Notice when using Terminals and Connectors" at the end of this catalog.
* Contact JST for details.

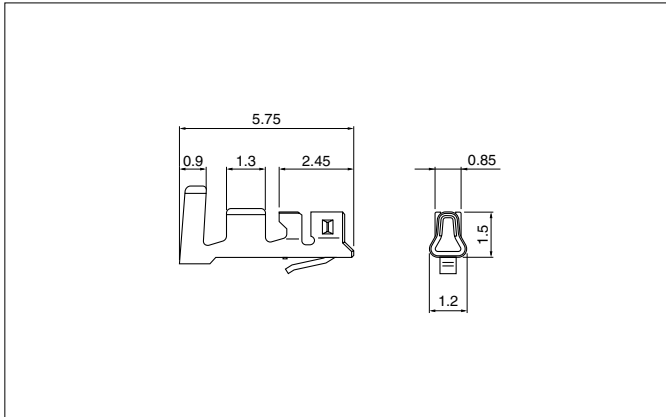
Standards

Recognized E60389

Certified LR20812

BHL CONNECTOR

Contact



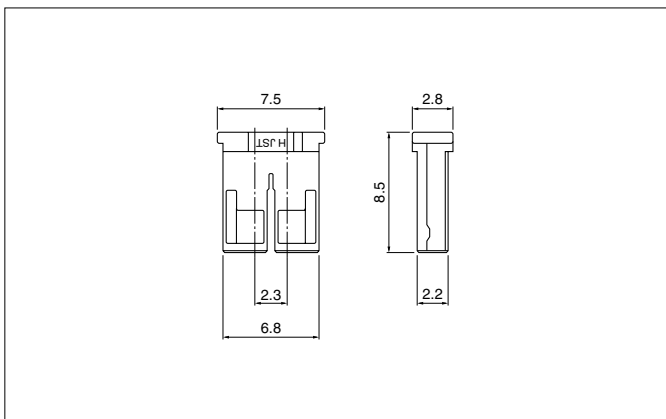
| Model No. | Applicable wire | | | Q'ty / reel |
|-----------------------|-----------------|----------|----------------------|-------------|
| | mm ² | AWG # | Insulation O.D. (mm) | |
| SBHL-002T-P0.5 | 0.08 to 0.22 | 28 to 24 | 0.9 to 1.7 | 10,000 |

Material and Finish

Phosphor bronze, tin-plated (reflow treatment)

RoHS compliance

Housing



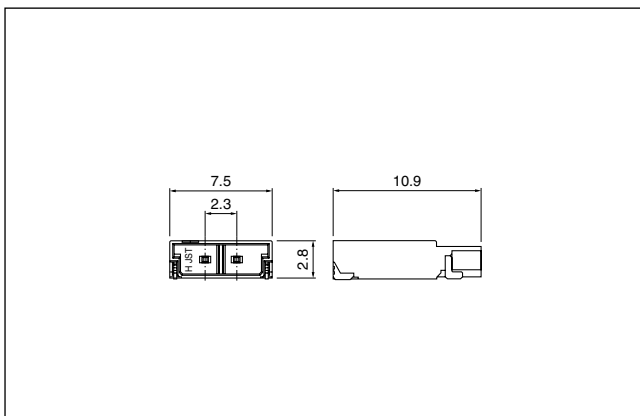
| Circuits | Model No. | Q'ty / bag |
|----------|------------------|------------|
| 2 | BHLR-02VS | 1,000 |

Material

Thermoplastic resin, UL94V-0, black

RoHS compliance

Shrouded header



| Circuits | Model No. | Q'ty / reel |
|----------|------------------------|-------------|
| 2 | SM02B-BHLS-1-TB | 1,500 |

Material and Finish

Post: Copper alloy, copper-undercoated, tin-plated (reflow treatment)

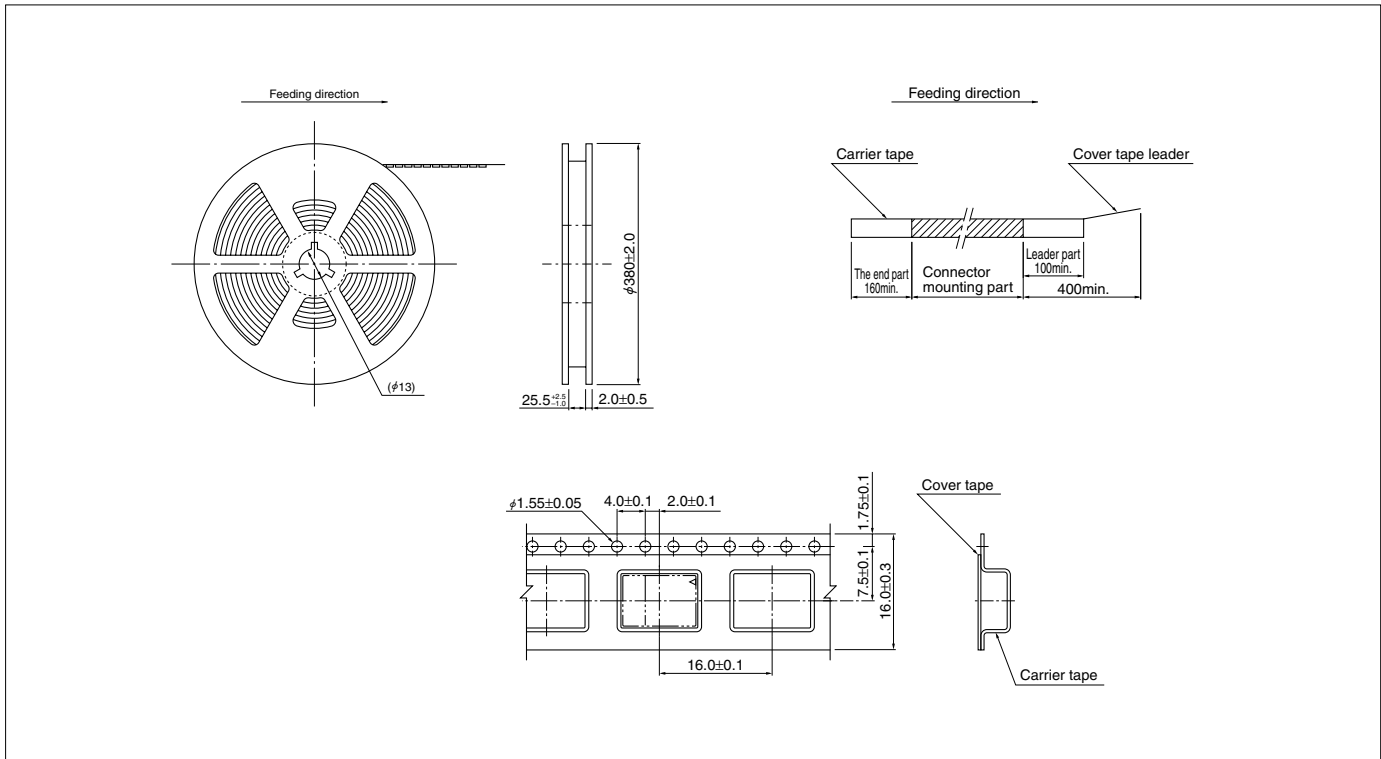
Wafer: Heat resisting resin, UL94V-0, natural (ivory)

Solder tab: Copper alloy, copper-undercoated, tin-plated (reflow treatment)

RoHS compliance This product displays (LF)(SN) on a label.
Note: The products listed above are supplied on embossed-tape.

BHL CONNECTOR

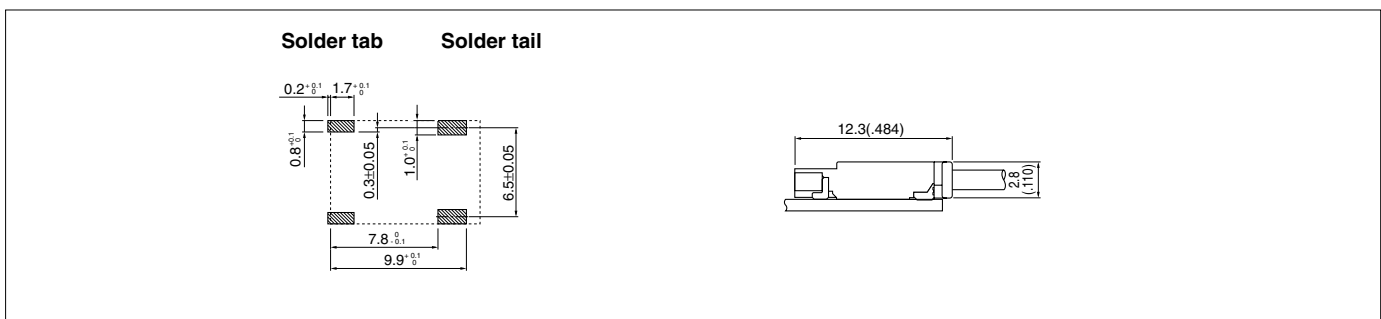
Taping specifications



Note:

- Specifications conform to JIS C 0806. The tape width, connector loading recess square hole dimensions, etc. are determined by the number of circuits and external shape of the connector to be loaded.
- Specifications are subject to change without prior notice.

PC board layout (viewed from component side) and Assembly layout



Note:

- Tolerances are non-cumulative: $\pm 0.05\text{mm}$ for all centers.
- Hole dimensions differ according to the kind of PC board and piercing method. The dimensions above should serve as a guideline. Contact JST for details.

Crimping machine, Applicator

| Contact | Crimping machine | Crimp applicator | Dies | Crimp applicator with dies |
|----------------|------------------|------------------|----------------|----------------------------|
| SBHL-002T-P0.5 | AP-K2N | MKS-L | MK/SBHL-002-05 | APLMK SBHL002-05 |
| | | - | - | - |