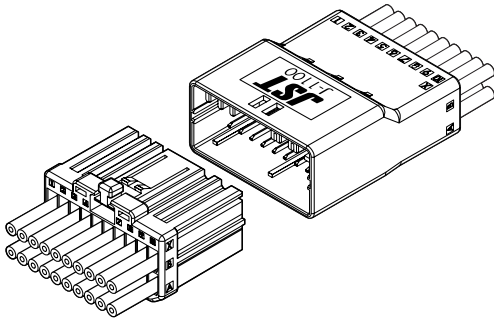
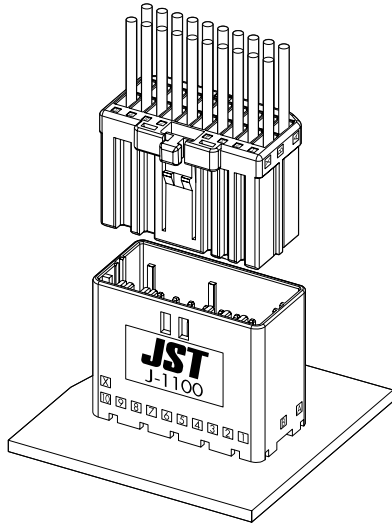




# JFA CONNECTOR J1000 SERIES

2.2mm pitch/Disconnectable Crimp style connectors(Wire-to-board/Wire-to-wire)



*It is a high reliability connector corresponding to demand of the miniaturization of electronic equipment and the wire size of AWG#18.*

- Double-spring construction
- Housing lance
- Clear “click feeling”

## Specifications

- Current rating: Refer to the following matrix table.
- Voltage rating: 125V AC, DC
- Temperature range:  $-55^{\circ}\text{C}$  to  $+105^{\circ}\text{C}$   
(including temperature rise in applying electrical current)
- Applicable wire: AWG #28 to #18 (0.08 to 0.82mm<sup>2</sup>)  
(Tin-plated annealed copper wire [stranded wire])  
(Insulation O.D./0.85 to 2.1mm)
- Applicable PC board thickness: 1.6mm

\*Contact JST for details.

\*RoHS compliant products are published

### Current rating

Unit: A

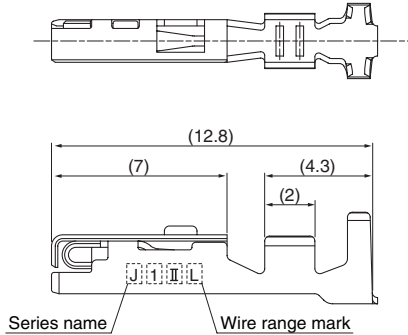
Circuits	Wire size (AWG)					
	#18	#20	#22	#24	#26	#28
1 (Note)	6.8	5.9	5.0	4.2	3.2	2.5
3	6.2	5.2	4.6	3.6	3.1	2.5
6	5.5	4.6	4.0	3.0	2.5	2.1
8	5.5	4.6	4.0	3.0	2.4	2.0
12	4.7	3.9	3.4	2.6	2.1	1.7
20	3.9	3.3	2.9	2.2	1.8	1.6

Note: Current rating value when applying only to 1-circuit of 3-circuit connector.

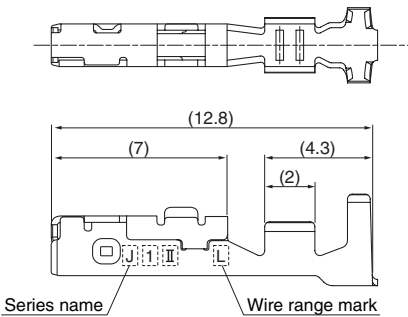
# JFA CONNECTOR/J1000 SERIES

## Receptacle contact

### Tin-plated



### Gold-plated



Strip contact Model No.	Applicable wire			Insulation O.D. (mm)	Q'ty / reel
	Nominal	mm <sup>2</sup>	AWG#		
<b>SF1F-002 (*) -P0.6</b>	M	0.08~0.22	28~24	0.85~1.43	—
<b>SF1F-21 (*) -P0.6</b>	L	0.30~0.82	22~18	1.60~2.10	5,000

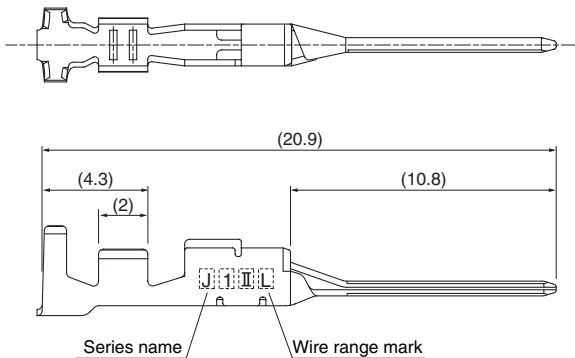
### Material and Finish

Copper alloy, tin-plated, gold-plated

### RoHS compliance

Note: Finish(\*) : T ..... Tin-plated  
GC ... Gold-plated

## Tab contact



Strip contact Model No.	Applicable wire			Insulation O.D. (mm)	Q'ty / reel
	Nominal	mm <sup>2</sup>	AWG#		
<b>SF1M-002 (*) -M0.6A</b>	M	0.08~0.22	28~24	0.85~1.43	—
<b>SF1M-21 (*) -M0.6A</b>	L	0.30~0.82	22~18	1.60~2.10	5,000

### Material and Finish

Copper alloy, tin-plated, gold-plated

### RoHS compliance

Note: Finish(\*) : T ..... Tin-plated  
GC ... Gold-plated

## Crimping machine, Applicator

Strip contact Model No.	Crimping machine	Crimp applicator	Dies	Crimp applicator with dies	Hand crimp tools
<b>SF1F-002 (*) -P0.6</b>		MKS-L	MK/SF1F/M002-06	APLMK SF1F/M002-06	Refer to page 576, 577.
<b>SF1M-002 (*) -M0.6A</b>	AP-K2N	—	—	—	Refer to page 576, 577.
<b>SF1F-21 (*) -P0.6</b>		MKS-L	MK/SF1F/M21-06	APLMK SF1F/M21-06	Refer to page 576, 577.
<b>SF1M-21 (*) -M0.6A</b>	AP-K2N	—	—	—	Refer to page 576, 577.

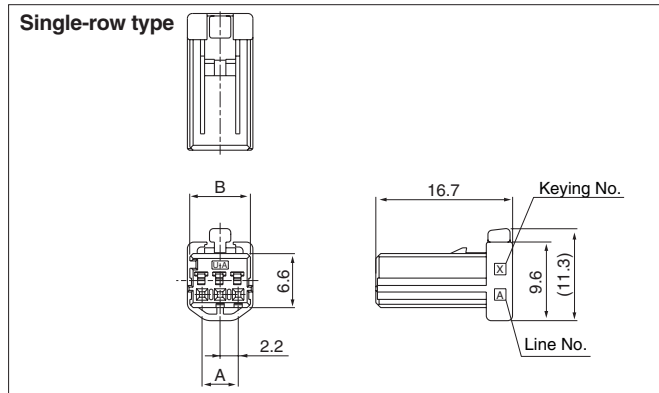
- Extraction tool for J1000 series: EJ-JFAJ1100
- Hand crimp tool uses the YRK series and refer to page 576, 577 for details

Note 1. Contact JST for fully automatic crimping applicator.

2. Finish(\*) : T ..... Tin-plated  
GC ... Gold-plated

# J1000 SERIES/J1100

## Receptacle housing



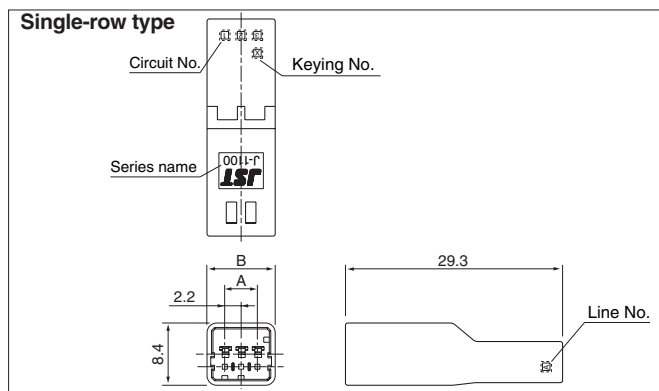
Circuits	Keying	Model No.	Dimensions (mm)		Q'ty / box
			A	B	
3	X	<b>J11SF-03V-KX</b>	4.4	7.4	1,200
	Y	<b>J11SF-03V-KY</b>	4.4	7.4	1,200

### Material

Glass-filled PBT, UL94V-0, black

### RoHS compliance

## Tab housing



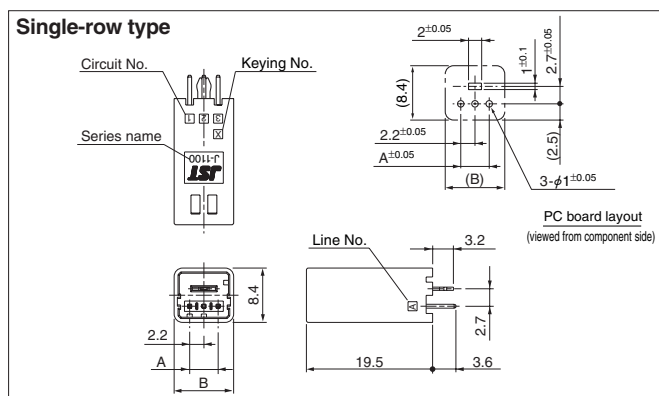
Circuits	Keying	Model No.	Dimensions (mm)		Q'ty / box
			A	B	
3	X	<b>J11SFM-03V-KX</b>	4.4	9.2	500
	Y	<b>J11SFM-03V-KY</b>	4.4	9.2	500

### Material

Glass-filled PBT, UL94V-0, black

### RoHS compliance

## Header Top entry type (Center locking type)



Circuits	Keying	Model No.	Dimensions (mm)		Q'ty / box
			A	B	
3	X	<b>B03B-J11SK-(*)XR</b>	4.4	9.2	625
	Y	<b>B03B-J11SK-(*)YR</b>	4.4	9.2	625

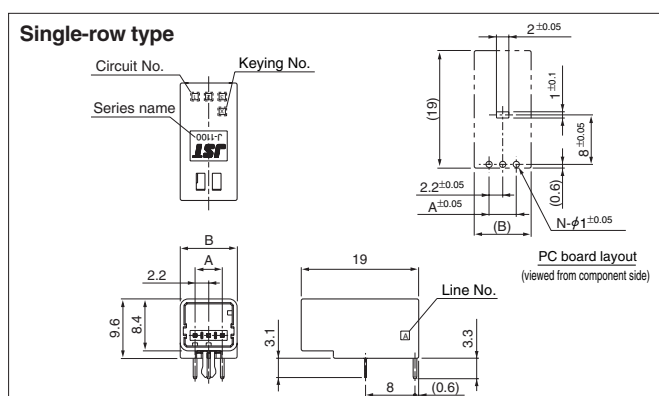
### Material and Finish

Post: Copper alloy, tin-plated, gold-plated  
Housing: Glass-filled PBT, UL94V-0, black  
Reinforcing metal fixture: Copper alloy, tin-plated

**RoHS compliance** Gold-plated product displays (LF) on a label.

Note: Finish(\*) : T ..... Tin-plated  
GW ... Gold-plated

## Header Side entry type (Center locking type)



Circuits	Keying	Model No.	Dimensions (mm)		Q'ty / box
			A	B	
3	X	<b>S03B-J11SK-(*)XR</b>	4.4	9.2	600
	Y	<b>S03B-J11SK-(*)YR</b>	4.4	9.2	600

### Material and Finish

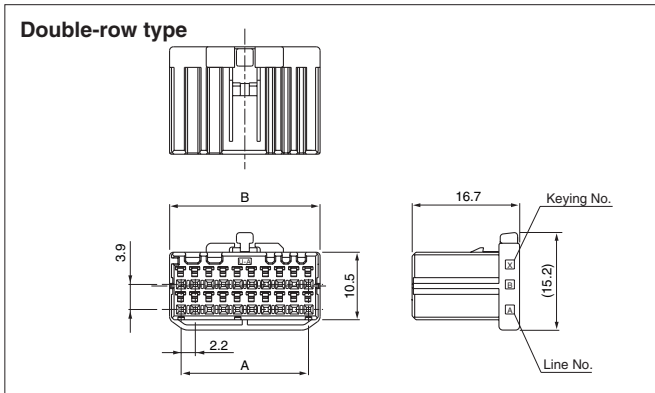
Post: Copper alloy, tin-plated, gold-plated  
Housing: Glass-filled PBT, UL94V-0, black  
Reinforcing metal fixture: Copper alloy, tin-plated

**RoHS compliance** Gold-plated product displays (LF) on a label.

Note: Finish(\*) : T ..... Tin-plated  
GW ... Gold-plated

# J1000 SERIES/J1100

## Receptacle housing



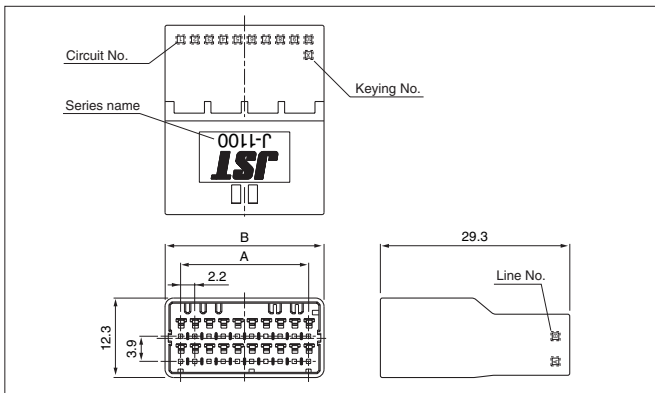
Circuits	Keying	Model No.	Dimensions (mm)		Q'ty / box
			A	B	
6	X	<b>J11DF-06V-KX</b>	4.4	8.0	800
	Y	<b>J11DF-06V-KY</b>	4.4	8.0	800
8	X	<b>J11DF-08V-KX</b>	6.6	10.2	500
	Y	<b>J11DF-08V-KY</b>	6.6	10.2	500
12	X	<b>J11DF-12V-KX</b>	11.0	14.6	400
	Y	<b>J11DF-12V-KY</b>	11.0	14.6	400
20	X	<b>J11DF-20V-KX</b>	19.8	23.4	250
	Y	<b>J11DF-20V-KY</b>	19.8	23.4	250
22	X	<b>J11DF-22V-KX</b>	22.0	25.6	—
	Y	<b>J11DF-22V-KY</b>	22.0	25.6	—
26	X	<b>J11DF-26V-KX</b>	26.4	30.0	—
	Y	<b>J11DF-26V-KY</b>	26.4	30.0	—
30	X	<b>J11DF-30V-KX</b>	30.8	34.4	—
	Y	<b>J11DF-30V-KY</b>	30.8	34.4	—

### Material

Glass-filled PBT, UL94V-0, black

**RoHS compliance**

## Tab housing



Circuits	Keying	Model No.	Dimensions (mm)		Q'ty / box
			A	B	
6	X	<b>J11DFM-06V-KX</b>	4.4	9.2	400
8	X	<b>J11DFM-08V-KX</b>	6.6	11.4	300
12	X	<b>J11DFM-12V-KX</b>	11.0	15.8	200
20	X	<b>J11DFM-20V-KX</b>	19.8	24.6	150

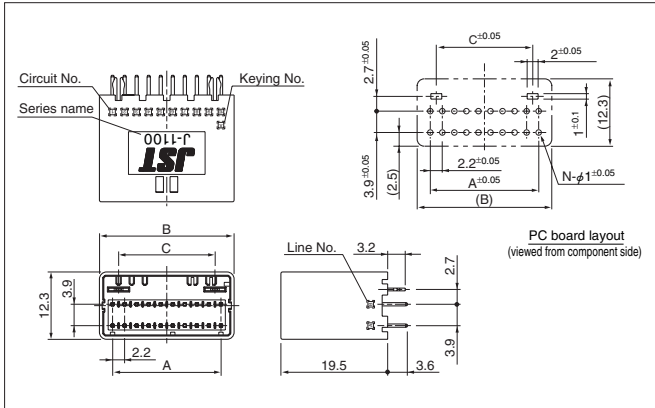
### Material

Glass-filled PBT, UL94V-0, black

**RoHS compliance**

# J1000 SERIES/J1100

## Header Top entry type (Center locking type)



Circuits	Keying	Model No.	Dimensions (mm)			Q'ty / box
			A	B	C	
6	X	<b>B06B-J11DK-(*)XR</b>	4.4	9.2	—	500
	Y	<b>B06B-J11DK-(*)YR</b>	4.4	9.2	—	500
8	X	<b>B08B-J11DK-(*)XR</b>	6.6	11.4	4.4	400
	Y	<b>B08B-J11DK-(*)YR</b>	6.6	11.4	4.4	400
12	X	<b>B12B-J11DK-(*)XR</b>	11.0	15.8	8.8	280
	Y	<b>B12B-J11DK-(*)YR</b>	11.0	15.8	8.8	280
20	X	<b>B20B-J11DK-(*)XR</b>	19.8	24.6	17.6	180
	Y	<b>B20B-J11DK-(*)YR</b>	19.8	24.6	17.6	180
22	X	<b>B22B-J11DK-(*)XR</b>	22.0	26.8	19.8	—
	Y	<b>B22B-J11DK-(*)YR</b>	22.0	26.8	19.8	—
26	X	<b>B26B-J11DK-(*)XR</b>	26.4	31.2	24.2	—
	Y	<b>B26B-J11DK-(*)YR</b>	26.4	31.2	24.2	—
30	X	<b>B30B-J11DK-(*)XR</b>	30.8	35.6	28.6	—
	Y	<b>B30B-J11DK-(*)YR</b>	30.8	35.6	28.6	—

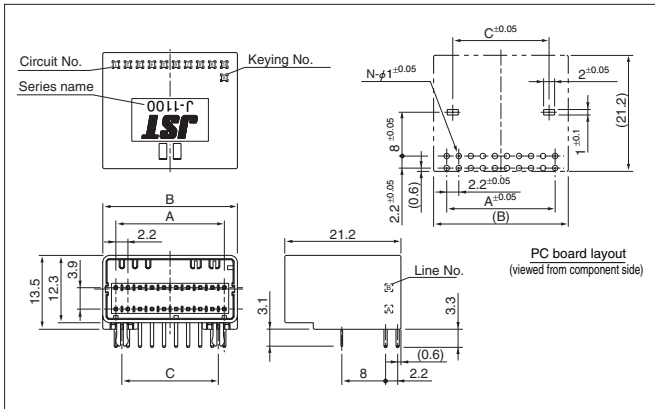
### Material and Finish

Post: Copper alloy, tin-plated, gold-plated  
Housing: Glass-filled PBT, UL94V-0, black  
Reinforcing metal fixture: Copper alloy, tin-plated

**RoHS compliance** Gold-plated product displays (LF) on a label.

Note: Finish(\*) : T ..... Tin-plated  
GW ... Gold-plated

## Header Side entry type (Center locking type)



Circuits	Keying	Model No.	Dimensions (mm)			Q'ty / box
			A	B	C	
6	X	<b>S06B-J11DK-(*)XR</b>	4.4	9.2	—	375
	Y	<b>S06B-J11DK-(*)YR</b>	4.4	9.2	—	375
8	X	<b>S08B-J11DK-(*)XR</b>	6.6	11.4	—	300
	Y	<b>S08B-J11DK-(*)YR</b>	6.6	11.4	—	300
12	X	<b>S12B-J11DK-(*)XR</b>	11.0	15.8	8.8	225
	Y	<b>S12B-J11DK-(*)YR</b>	11.0	15.8	8.8	225
20	X	<b>S20B-J11DK-(*)XR</b>	19.8	24.6	17.6	135
	Y	<b>S20B-J11DK-(*)YR</b>	19.8	24.6	17.6	135

### Material and Finish

Post: Copper alloy, tin-plated, gold-plated  
Housing: Glass-filled PBT, UL94V-0, black  
Reinforcing metal fixture: Copper alloy, tin-plated

**RoHS compliance** Gold-plated product displays (LF) on a label.

Note: Finish(\*) : T ..... Tin-plated  
GW ... Gold-plated

# JFA CONNECTOR/J1000 SERIES

## Model number identification

### Receptacle contact

**S F1 F - 21 T - P 0.6**

Form: S...Strip form

Series name

Kind of terminal: F...Receptacle contact

Applicable wire: 002...AWG#28 ~ AWG#24  
21...AWG#22 ~ AWG#18

Surface finish: T...Tin-plated, GC...Gold-plated

Material: P...Copper alloy

Terminal size

### Tab contact

**S F1 M - 21 T - M 0.6 A**

Form: S...Strip form

Series name

Kind of terminal: M...Tab contact

Applicable wire: 002...AWG#28 ~ AWG#24  
21...AWG#22 ~ AWG#18

Surface finish: T...Tin-plated, GC...Gold-plated

Material: M...Copper alloy

Terminal size

Auxiliary mark

### Receptacle housing

**J11 DF - 06 V - K X**

Series name

Type of connector: SF...Single-row type  
DF...Double-row type

No. of circuits: 3, 6, 8, 12, 20

Flammability: V...UL94V-0

Color indication: K...Black

Keying: X...X-Keying, Y...Y-Keying

### Tab housing

**J11 DFM - 06 V - K X**

Series name

Type of connector: SFM...Single-row type  
DFM...Double-row type

No. of circuits: 3, 6, 8, 12, 20

Flammability: V...UL94V-0

Color indication: K...Black

Keying: X...X-Keying

### Header

**B 06 B - J11 D K - T X R**

PC board mounting direction:  
B...Top entry type, S...Side entry type

No. of circuits: 3, 6, 8, 12, 20

Product name: Header

Series name

Rows: S...Single-row, D...Double-row

Color indication: K...Black

Surface finish: T...Tin-plated, GW...Gold-plated

Keying: X...X-Keying, Y...Y-Keying

Packaging form: R...Tray, M...Magazine stick