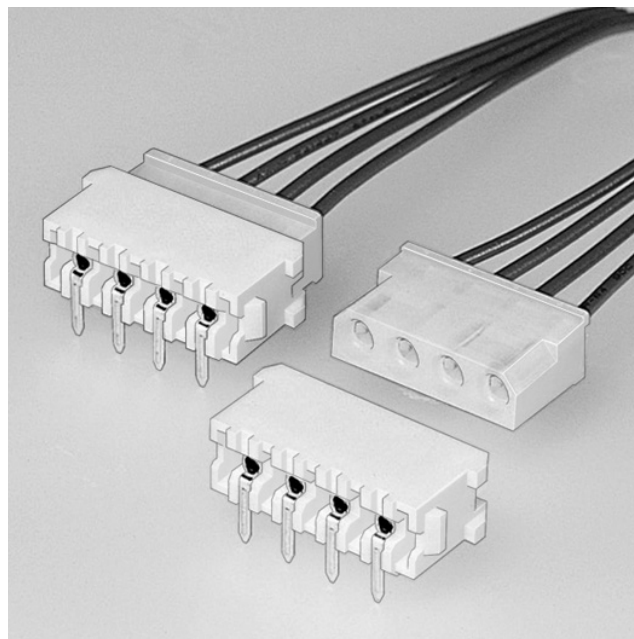


# LC-L CONNECTOR

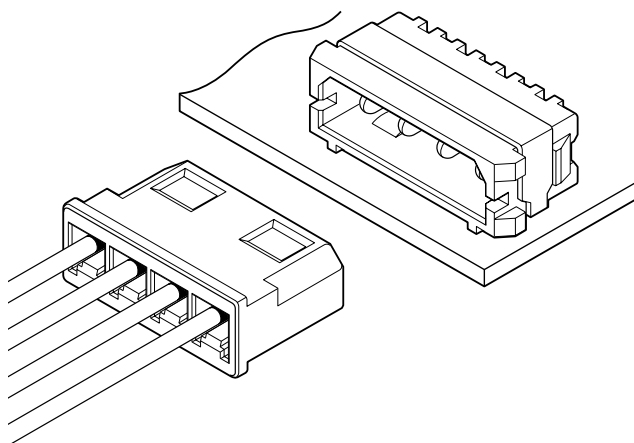
Disconnectable Crimp style connectors



The LC connector is for the secondary power circuit used in the office automation equipment, such as the 3.5inch HDD and MO, including the DVD.

This low-profile crimp type connector is designed to meet further miniaturization of the equipment.

The Plug Housing can also be mated with our LC connector (top and side entry types) and the power connection part of the LK connector.



## Features

### • Space-saving

The miniaturization (improved from 20.5mm to 13.5mm height) realizes radical space saving after mating and consequently will provide more space for wiring.

### • Lower insertion force

Insertion and withdrawal force are reduced by 40 to 50% compared to the existing type.

### • Double-crimping contact

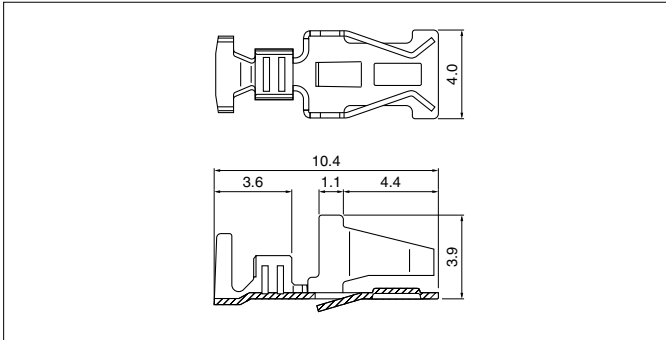
For an internal branching or jumper connection, a double-crimping type contact is adopted.

## Specifications

- Current rating: 5A AC, DC (AWG#20)
- Voltage rating: 250V AC, DC
- Temperature range: -25°C to +90°C  
(including temperature rise in applying electrical current)
- Contact resistance: Initial value/10m Ω max.  
After environmental testing/20m Ω max.
- Insulation resistance: 1,000M Ω min.
- Withstanding voltage: 1,500V AC/minute
- Applicable wire: 001 type: AWG#26 to #22, #26+#26  
02 type: AWG#20 to #18, #26+#24,  
#24+#24, #24+#22, #22+#22
- Applicable PC board thickness: 1.6mm
- Number of circuits: 4
- \* RoHS compliant products are published.
- \* Refer to "General Instruction and Notice when using Terminals and Connectors" at the end of this catalog.
- \* Contact JST for details.

# LC-L CONNECTOR

## Contact

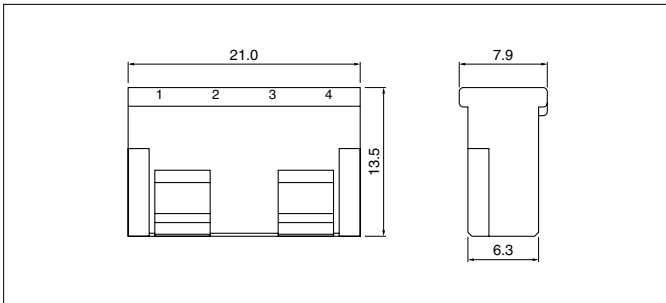


Model No.	Applicable wire			Q'ty / reel
	mm <sup>2</sup>	AWG #	Insulation O.D. (mm)	
SLC-001T-P2.0	0.13 to 0.33	26 to 22	1.3 to 1.7	3,000
	0.13 + 0.13	26 + 26	1.3 + 1.3	
SLC-02T-P2.0	0.5 to 0.75	20 to 18	1.9 to 2.1	3,000
	0.13+0.22 to 0.33+0.33	26 + 24 to 22 + 22	1.3 + 1.5 to 1.7 + 1.7	

Material and Finish
Phosphor bronze, tin-plated (reflow treatment)

RoHS compliance

## Housing

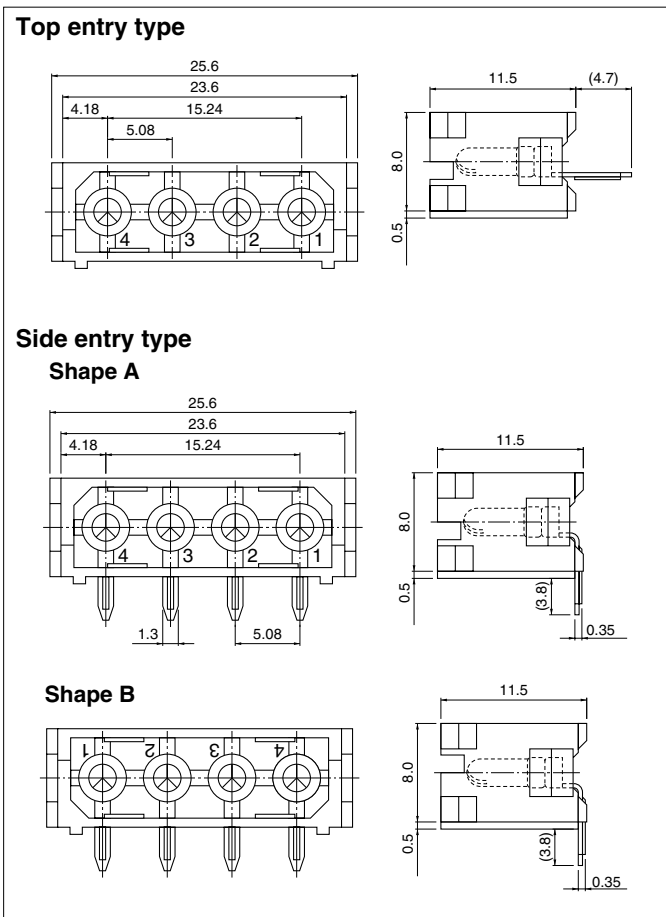


Model No.	Q'ty / bag
LCP-04L	500

Material
PA 66, UL94V-2

RoHS compliance

## Shrouded header



### Top entry type

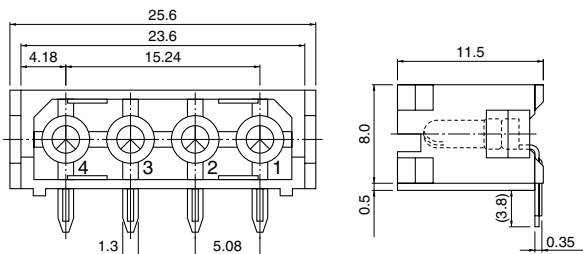
Model No.	Q'ty / box
LC-04T	100

Material and Finish
Contact: Brass, tin-plated (reflow treatment) Housing: PA 66, UL94V-0, natural (white)

RoHS compliance

### Side entry type

#### Shape A



### Side entry type

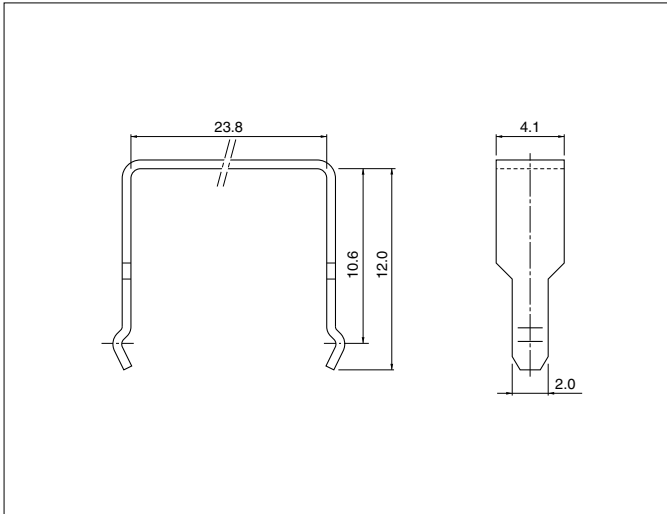
Shape	Model No.	Q'ty / box
A	LC-04A	100
B	LC-04B	

Material and Finish
Contact: Brass, tin-plated (reflow treatment) Housing: PA 66, UL94V-0, natural (white)

RoHS compliance

# LC-L CONNECTOR

## Housing clamp



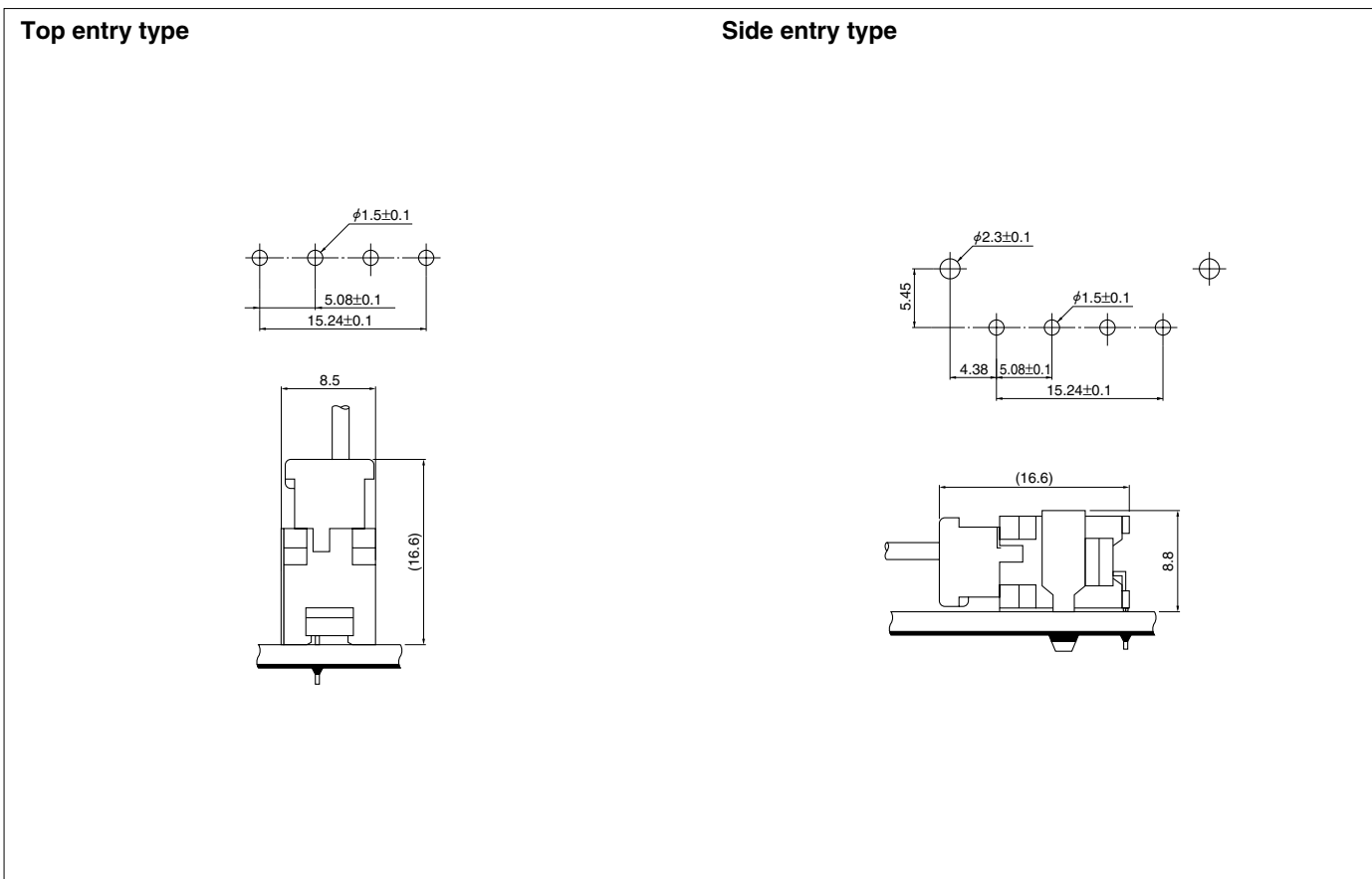
Model No.	Q'ty / box
<b>LCC-04</b>	500

### Material and Finish

Brass, copper-undercoated, tin-plated (reflow treatment)

**RoHS compliance**

## PC board layout (viewed from component side) and Assembly layout



Note:  
 1. Tolerances are non-cumulative:  $\pm 0.1$ mm for all centers.  
 2. Hole dimensions differ according to the kind of PC board and piercing method. The dimensions above should serve as a guideline. Contact JST for details.

## *Crimping machine, Applicator*

Contact	Crimping machine	Crimp applicator	Dies	Crimp applicator with dies
<b>SLC-001T-P2.0</b>	AP-K2N	MKS-L	MK/SLC-001-20	APLMK SLC001-20
		-	-	-

Contact	Crimping machine	Crimp applicator	Dies	Crimp applicator with dies
<b>SLC-02T-P2.0</b>	AP-K2N	MKS-L	MK/SLC-02-20	APLMK SLC02-20
		-	-	-