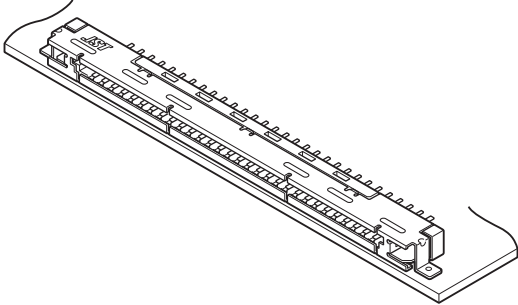


# LD-Y CONNECTOR RECEPTACLE

1.0mm pitch



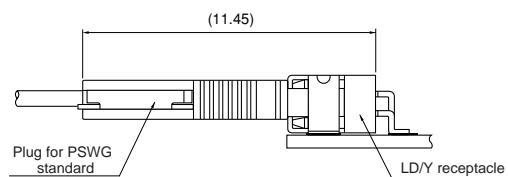
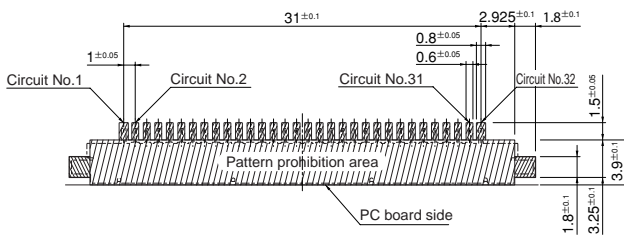
**This wire-to-board connector is designed for Internal I/O port in LCD Monitor/TV, and is with secure locking device that prevents the connector from coming off by wiring operation and/or vibration.**

- Impedance matching corresponding to high speed differential transmission
- Metal lock structure
- With metal shell

## Specifications

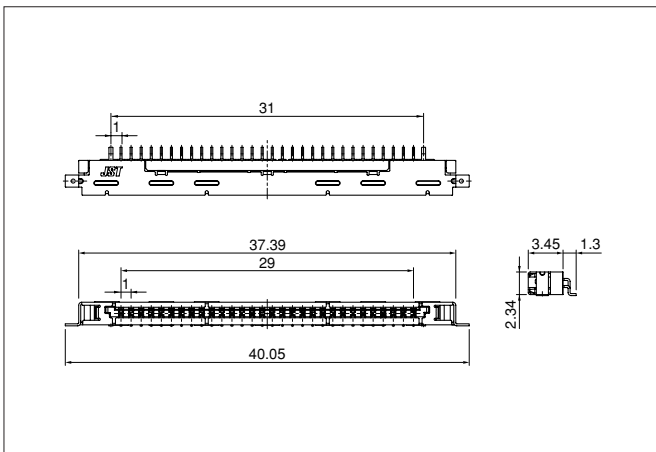
- Current rating: 0.3A AC, DC
- Voltage rating: 200V AC, DC
- Temperature range: -25°C to +85°C  
(including temperature rise in applying electrical current)
- Contact resistance: Initial value/40m Ω max.  
After environmental testing/80m Ω max.
- Insulation resistance: Initial value/100M Ω min.  
After environmental testing/50M Ω min.
- Withstanding voltage: Initial value/ 500V AC/minute  
After environmental testing/  
250VAC/minute
- \* RoHS compliant products are published.
- \* Refer to "General Instruction and Notice when using Terminals and Connectors" at the end of this catalog.
- \* Contact JST for details.

## PC board layout (viewed from component side) and Assembly layout



Note: 1. Tolerances are non-cumulative:  $\pm 0.05\text{mm}$  for all centers.  
2. The dimensions above should serve as a guideline. Contact JST for details.

## Receptacle



Circuits	Model No.	Q'ty / reel
30	<b>SM30B-LDYGLS-01-TB</b>	4,000

### Material and Finish

Contact: Copper alloy, nickel-undercoated, gold-plated  
Housing: Heat resisting resin, UL94V-0  
Shell: Stainless steel, nickel-undercoated, palladium-plated  
Ground bar: Copper alloy, nickel-undercoated, tin/copper alloy-plated

**RoHS compliance** This product displays (LF) on a label.