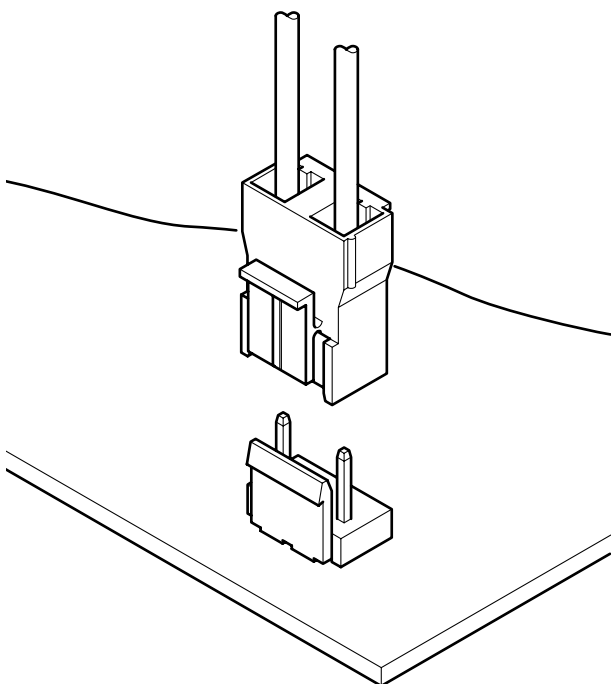


NVA CONNECTOR

7.92mm pitch/Disconnectable Crimp style connectors



7.92mm pitch crimp style, large current carrying capacity connector, that is best suited for various kinds of power supply circuits. Box-shaped contacts offer reliable connection.

- Housing lances
- Box contact
- Secure contact and mounting
- Applicable up to 10A

Specifications

- Current rating: 10A AC, DC (AWG #16)
- Voltage rating: 250V AC, DC
- Temperature range: -25°C to +85°C
(including temperature rise in applying electrical current)
- Contact resistance: Initial value/10m Ω max.
After environmental testing/20m Ω max.
- Insulation resistance: 1,000M Ω min.
- Withstanding voltage: 1,500V AC/minute
- Applicable wire: AWG #20 to #16
- Applicable PC board thickness: 1.6mm
- * RoHS compliant products are published.
- * Temperature Range:
The aforementioned temperature range of this connector is described in JST Standard Product Specification.
Maximum temperature registered in UL is 105°C.
- * Refer to "General Instruction and Notice when using Terminals and Connectors" at the end of this catalog.
- * Contact JST for details.

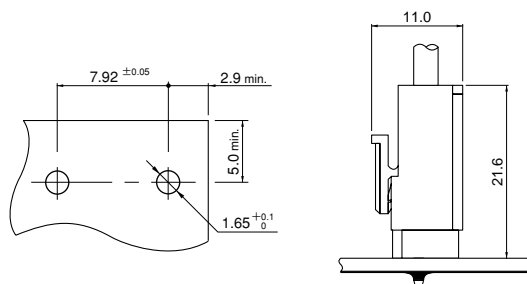
Standards

Recognized E60389

Certified LR20812

R9251675

PC board layout (viewed from component side) and Assembly layout

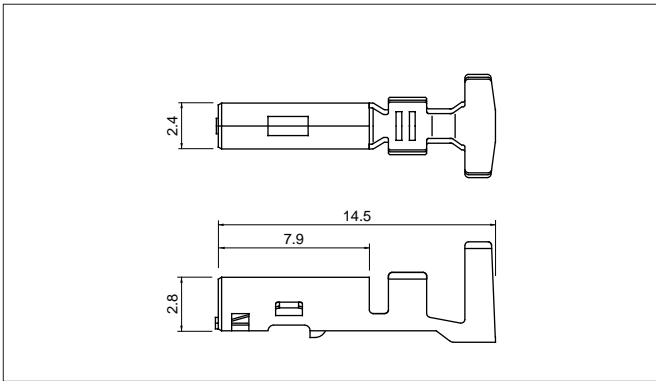


Note: 1. Tolerances are non-cumulative: ±0.05mm for all centers.

2. Hole dimensions differ according to the kind of PC board and piercing method. The dimensions above should serve as a guideline. Contact JST for details.

NVA CONNECTOR

Contact



Model No.	AWG #	Insulation O.D.(mm)	Q'ty / reel
SVT-41T-P1.1	20 ~16	3.9~2.7	2,500

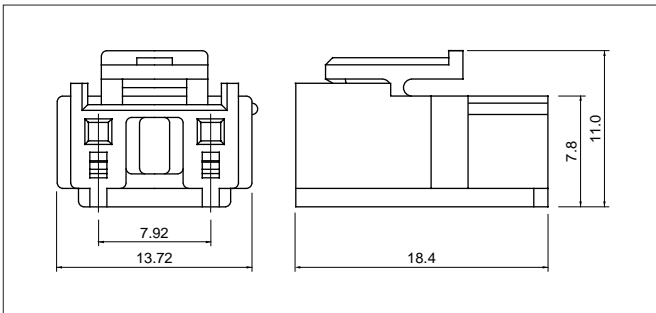
Material and Finish

Alloy (phosphor bronze system), tin-plated (reflow treatment)

RoHS compliance

Contact	Crimping machine	Applicator		
		Crimp applicator	Dies	Crimp applicator with dies
SVT-41T-P1.1	AP-K2N	MKS-L	MK/SVT-41-11	APLMK SVT41-11
		—	—	—

Housing



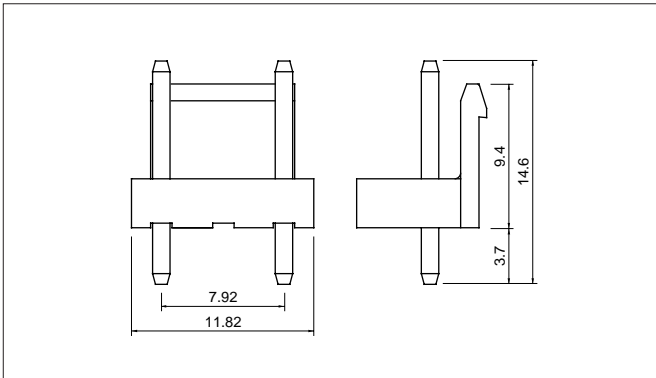
Circuit	Model No.	Q'ty / bag
2	NVAR-02VS	1,000

Material

PA 66, UL94V-0, natural (white)

RoHS compliance

Locking header



Circuit	Model No.	Q'ty / box
2	B2P3-VH	1,000

Material and Finish

Post: Brass, copper-undercoated, tin-plated (reflow treatment)
Wafer: PA 66, UL94V-0, natural (white)

RoHS compliance This product displays (LF)(SN) on a label.