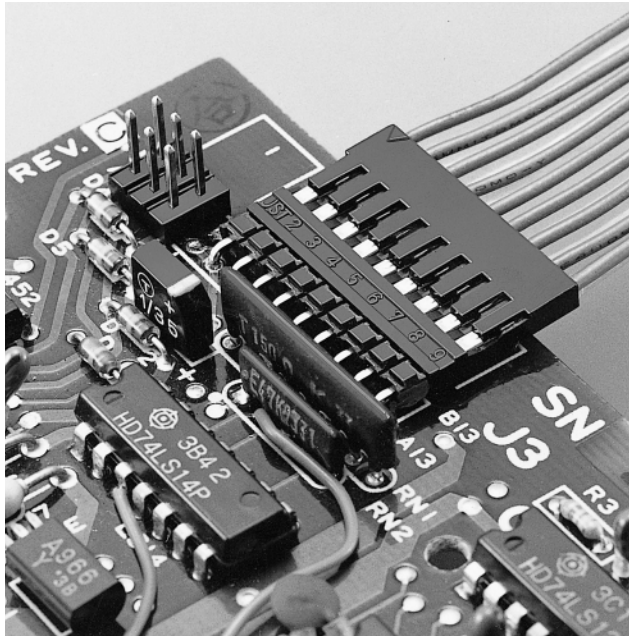


JST

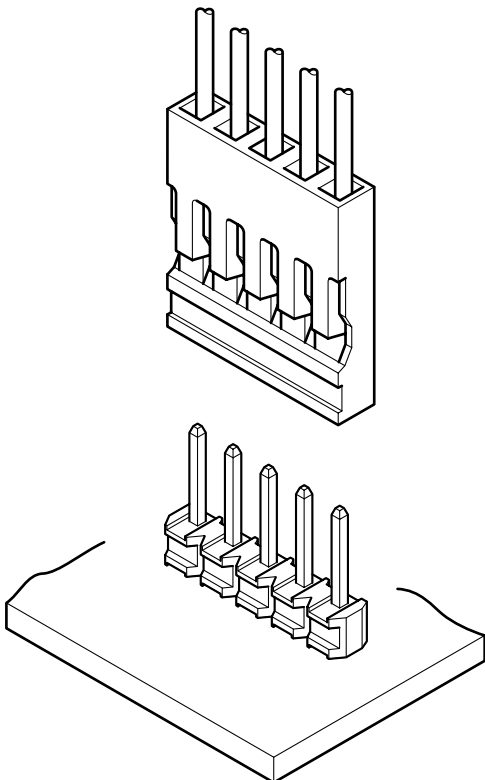
Crimp

2.54mm
pitch

RE CONNECTOR

Disconnectable Crimp style connectors

The RE connector was developed as a highly reliable, low-cost, crimp style connector for connecting wires to printed circuit boards. Well suited for completing the internal connections of office automation equipment, such as personal computers, office computers, and their peripheral devices.



Features

• **Reliable, yet low in cost**

Our unique, double-leaf spring contact withstands the stresses caused by repeated mating and unmating and ensures a stable high-pressure connection. The contacts and headers are selectively gold-plated to reduce costs. Depending on the application, fully tin-plated contacts and headers are available to further reduce costs.

• **Space-saving, high-density design**

Measuring only 16.54mm in height and 2.54mm thick when mounted on a printed circuit board, the RE connector and header require less mounting space and facilitate high-density circuit design.

• **Easy contact insertion**

A slight force is all that is needed to insert the contacts into the housing, because the housing has lances. The position of the contacts in the housing can be visually checked. This facilitates insertion of the contacts in the housing.

• **It can be cut to any length to provide a header with any number of circuits**

Notches are provided on the insulator that allow it to be cut to any length without using special tools.

Specifications

- Current rating: 2A AC, DC (5 circuits/AWG #24)
- Voltage rating: 250V AC, DC
- Temperature range: (including temperature rise in applying electrical current)
 - 55°C to +105°C (gold plated)
 - 55°C to +85°C (tin-plated)
- Contact resistance: Initial value/15m Ω max.
After environmental testing/30m Ω max.
- Insulation resistance: 1,000M Ω min.
- Withstanding voltage: 1,500V AC/minute
- Applicable wire: AWG #30 to #24
- Applicable PC board thickness: 1.2 to 1.6mm
- * RoHS compliant products are published.
- * Refer to "General Instruction and Notice when using Terminals and Connectors" at the end of this catalog.
- * Contact JST for details.

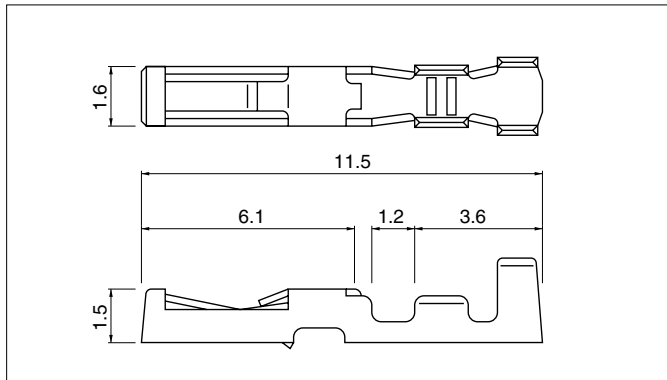
Standards

 Recognized E60389

 Certified LR20812

RE CONNECTOR

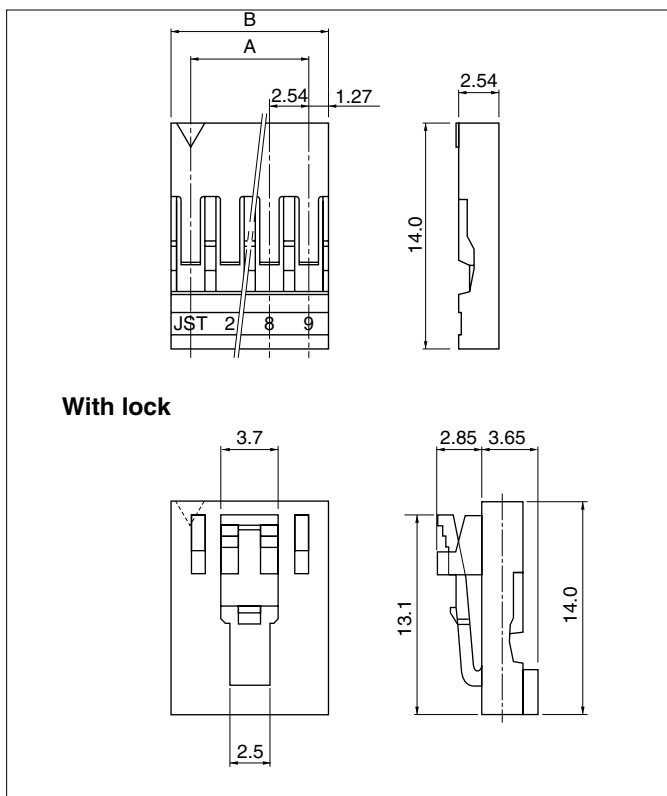
Contact



Model No.	Applicable wire			Finish	Q'ty / reel
	mm ²	AWG #	Insulation O.D. (mm)		
RF-SC2210	0.05 to 0.22	30 to 24	0.9 to 1.5	Nickel-undercoated, Mating part: gold-plated	10,000
RF-SC2290				Crimping part: tin-plated (reflow treatment)	
Material					
Phosphor bronze					

RoHS compliance RF-SC2210 displays (LF)(SN) on a label.

Housing



Circuits	Model No.	Dimensions (mm)		Q'ty / box
		A	B	
2	RE-02	2.54	5.08	1,000
4	RE-04	7.62	10.16	1,000
5	RE-05	10.16	12.70	1,000
8	RE-08	17.78	20.32	500
9	RE-09	20.32	22.86	500

Material				
PBT, UL94V-0, black				

RoHS compliance

With lock

Circuits	Model No.	Q'ty / box
4	RE-L04	1,000

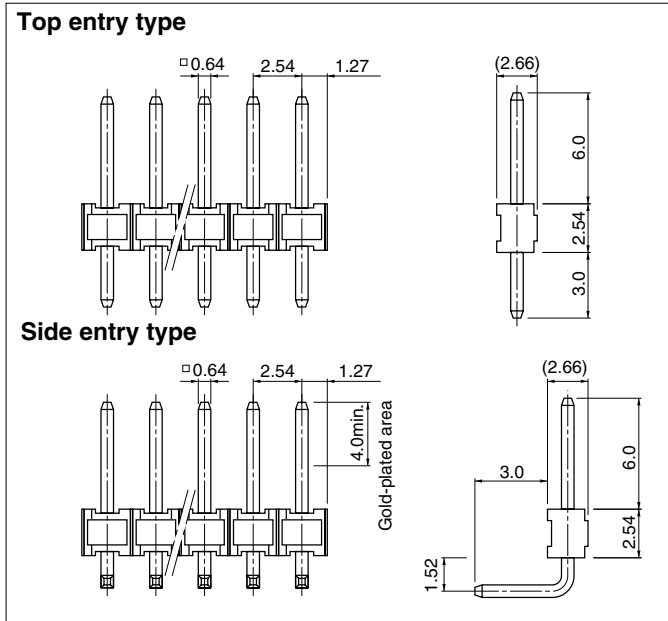
Material		
PA 66, UL94V-0		

RoHS compliance

Note: RE-L04 is not UL/CSA approved.

RE CONNECTOR

Header



Top entry type

Model No.	Material		Finish
	Wafer	Post	
RE-H(*) 2TD-1130	PBT, UL94V-0, black	Brass	Nickel-undercoated, gold-plated
RE-H(*) 2TD-1190			Copper-undercoated, tin-plated (reflow treatment)

Side entry type

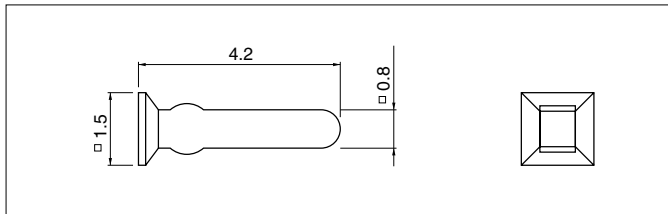
Model No.	Material		Finish
	Wafer	Post	
RE-H(*) 2SD-1110	PBT, UL94V-0, black	Brass	Nickel-undercoated, Mating part; gold-plated Solder tail; tin-plated (reflow treatment)
RE-H(*) 2SD-1190			Copper-undercoated, tin-plated (reflow treatment)

RoHS compliance Tin-plated product displays (LF)(SN) on a label.

Note:

1. A two-digit number (02 to 09) representing the number of circuits should be inserted in (*).
2. Determine the number depending on the number of circuits of the housing or header.
2. Contact JST for special products.

Polarizing key

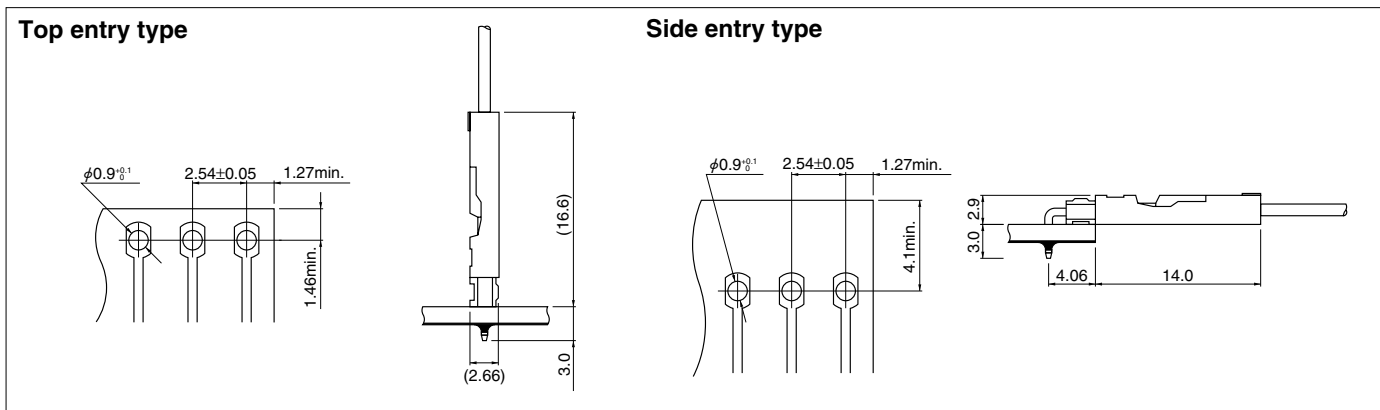


Model No.	Q'ty / bag
PK-RF-1	2,000
Material	
PBT, UL94V-0, natural (white)	

RoHS compliance

Polarizing key: The polarizing key in the housing prevents misinsertion of the connector to the header.

PC board layout (viewed from soldering side) and Assembly layout



Note:

1. Tolerances are non-cumulative: $\pm 0.05 \text{ mm}$ for all centers.
2. Hole dimensions differ according to the kind of PC board and piercing method. The dimensions above should serve as a guideline. Contact JST for details.

Crimping machine, Applicator

Contact	Crimping machine	Crimp applicator	Dies	Crimp applicator with dies
RF-SC2210 RF-SC2290	AP-K2N	MKS-L	MK/RF-SC22	APLMK RF-SC22
		—	—	—