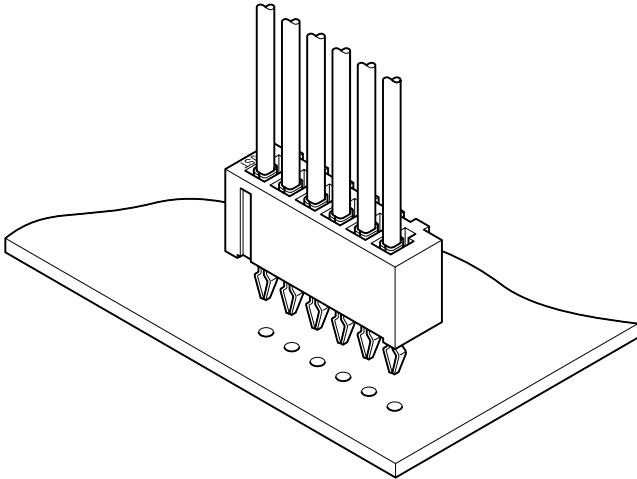


# SCN CONNECTOR

**2.5mm pitch/Board-in Crimp style connectors**



**This 2.5mm pitch multi-circuit board-in connector meets the needs for high-density mounting on printed circuit boards efficiently and economically. The connector can be used for VCRs, car stereo systems, audio products, and many other consumer-oriented electronic products.**

- Housing lances
- Secure mounting on printed circuit boards
- Two types of contacts

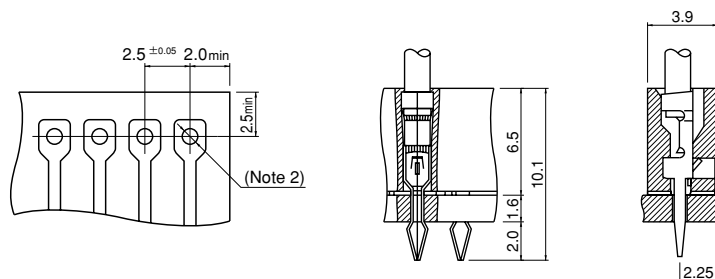
## Specifications

- Current rating: 3A AC, DC (AWG #22)
- Voltage rating: 250V AC, DC
- Temperature range: -25°C to +85°C  
(including temperature rise in applying electrical current)
- Insulation resistance: 1,000M  $\Omega$  min.
- Withstanding voltage: 800V AC/minute
- Applicable wire: AWG #28 to #22
- Applicable PC board thickness: 1.2mm, 1.6mm
- \* RoHS compliant products are published.
- \* Refer to "General Instruction and Notice when using Terminals and Connectors" at the end of this catalog.
- \* Contact JST for details.

## Standards

- Ⓜ Recognized E60389
- Ⓢ Certified LR20812

### PC board layout (viewed from soldering side) and Assembly layout



Note 1. Applicable PC board thickness: Type A 1.6mm  
Type B 1.6mm and 1.2mm.

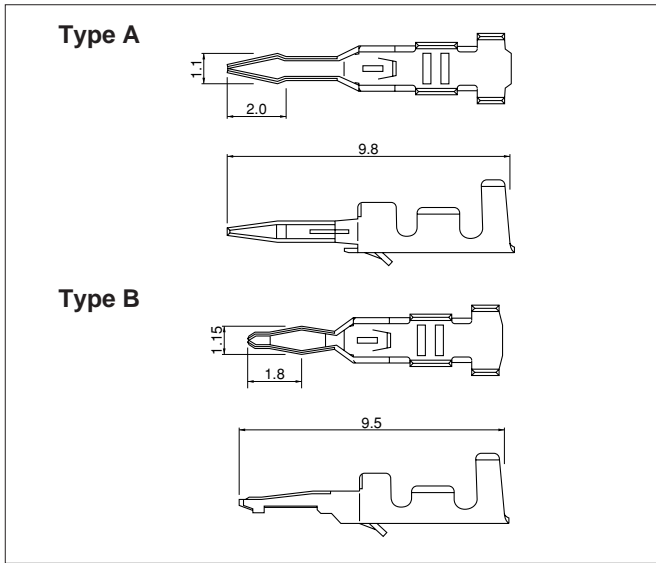
Note 2. Tolerances are non-cumulative:  $\pm 0.05$ mm  
Type A:  $1.0 \pm 0.05$ mm dia.  
Type B: 2 to 6 circuits/ $1.0 \pm 0.05$ mm dia.

7 circuits and more/Hole dimensions differ from the above values. Contact JST for details.

Note 3. Hole dimensions differ according to the kind of PC board and piercing method. The dimensions above should serve as a guideline. Contact JST for details.

# SCN CONNECTOR

## Contact



Model No.	Type	Applicable wire		Insulation O.D. (mm)	Material	Qty / reel
		mm <sup>2</sup>	AWG #			
SCN-001T-P1.0	A	0.08~0.33	28~22	0.9~1.7	Phosphor bronze	11,000
SCN-001T-1.0K	B				Brass	

### Finish

Tin-plated (reflow treatment)

### RoHS compliance

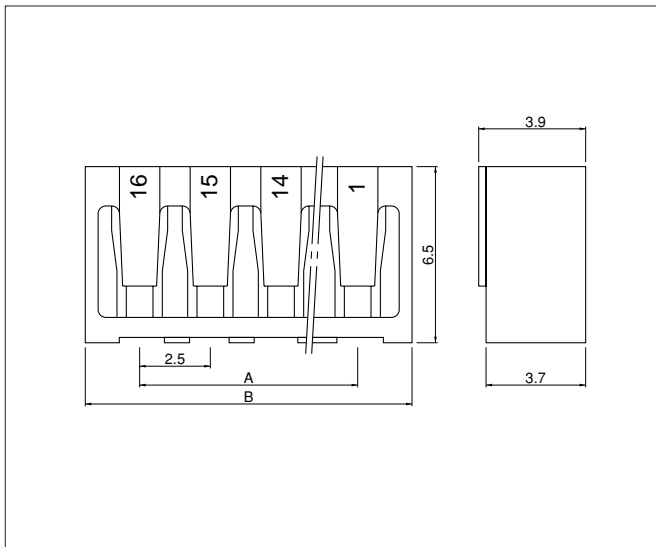
Note: 1. Contact JST if you require shielded wires, thin wires or other special wires.

2. Contact JST for brass products.

Contact	Crimping machine	Applicator		
		Crimp applicator	Dies	Crimp applicator with dies
SCN-001T-P1.0	AP-K2N	MKS-LS · MKS-L	MK/SCN-001-10	APLMK SCN001-10
SCN-001T-1.0K		*MKS-SC	SC/SCN-001-10	APLSC SCN001-10

Note: \*Strip-crimp applicator

## Housing



Cir-cuits	Model No.	Dimensions (mm)		Qty / bag
		A	B	
2	<b>2P-SCN</b>	2.5	6.5	1,000
3	<b>3P-SCN</b>	5.0	9.0	1,000
4	<b>4P-SCN</b>	7.5	11.5	1,000
5	<b>5P-SCN</b>	10.0	14.0	1,000
6	<b>6P-SCN</b>	12.5	16.5	1,000
7	<b>7P-SCN</b>	15.0	19.0	1,000
8	<b>8P-SCN</b>	17.5	21.5	1,000
9	<b>9P-SCN</b>	20.0	24.0	1,000
10	<b>10P-SCN</b>	22.5	26.5	1,000
11	<b>11P-SCN</b>	25.0	29.0	1,000
12	<b>12P-SCN</b>	27.5	31.5	1,000
13	<b>13P-SCN</b>	30.0	34.0	1,000
14	<b>14P-SCN</b>	32.5	36.5	1,000
15	<b>15P-SCN</b>	35.0	39.0	1,000
16	<b>16P-SCN</b>	37.5	41.5	1,000

### Material

PA 66, UL94V-0, ivory

### RoHS compliance

<For reference> As the color identification, the following alphabet shall be put in the underlined part. For availability, delivery and minimum order quantity, contact JST.

ex. **2P-SCN-oo**  
 (blank)...ivory  
 K...black R...red Y...yellow