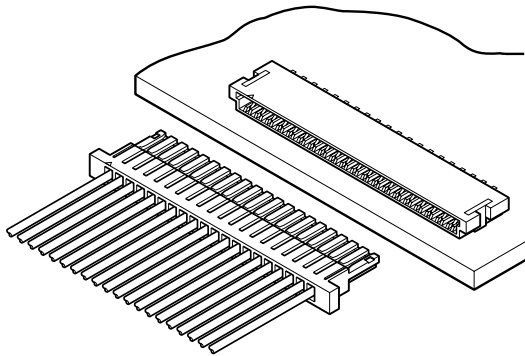


SHL CONNECTOR

1.0mm pitch/Disconnectable Crimp style connectors



- **Thin design**
- **Low insertion force**
- **Deformation preventive design**

Specifications

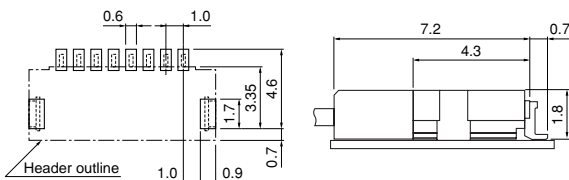
- Current rating: 1.0A AC, DC (AWG #28)
- Voltage rating: 50V AC, DC
- Temperature range: -25°C to +85°C
(including temperature rise in applying electrical current)
- Contact resistance: Initial value/20m Ω max.
After environmental testing/40m Ω max.
- Insulation resistance: 100M Ω min.
- Withstanding voltage: 500V AC/minute
- Applicable wire: AWG #32 to #28
- * RoHS compliant products are published.
- * Refer to "General Instruction and Notice when using Terminals and Connectors" at the end of this catalog.
- * Contact JST for details.

Standards

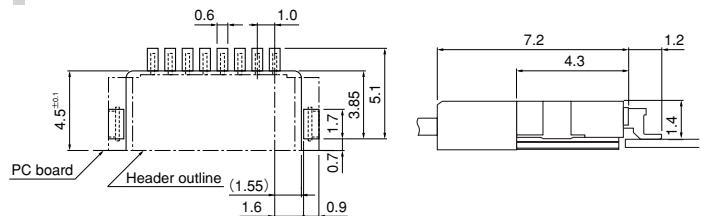
- Ⓜ Recognized E60389
- Ⓢ Certified LR20812

PC board layout (viewed from component side) and Assembly layout

Normal type

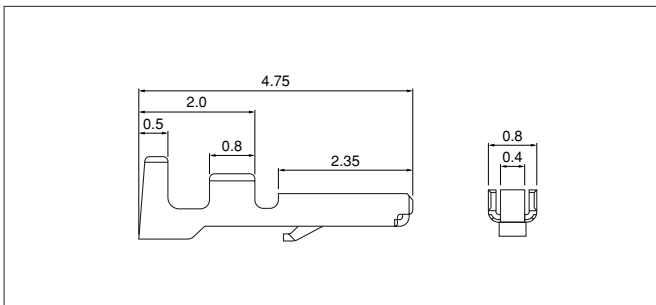


Offset type



Note: 1. Tolerances are non-cumulative: ±0.05mm for all centers.
2. The dimensions above should serve as a guideline. Contact JST for details.

Contact



Model No.	Applicable wire			Qty / reel
	mm ²	AWG#	Insulation O.D. (mm)	
SSHL-003T-P0.2	0.032 ~ 0.08	32~28	0.4~0.8	30,000

Material and Finish

Phosphor bronze, tin-plated (reflow treatment)

RoHS compliance

Note: Contact JST for gold-plated products.

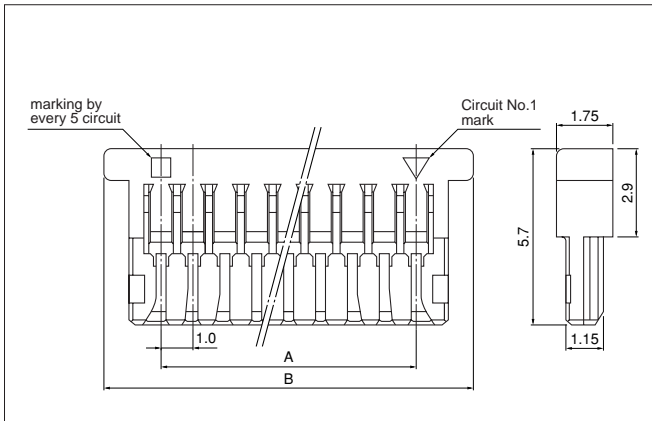
Contact	Crimping machine	Applicator		
		Crimp applicator	Dies	Crimp applicator with dies
SSHL-003T-P0.2	AP-K2N	MKS-L-10-3	MK/SSH/L-003-02	APLMK SSH/L003-02
		*MKS-SC	SC/SSH/L-003-02	APLSC SSH/L003-02

Note: *Strip-crimp applicator

Contact JST for applicable wires in case that it is not usable due to wire size.

SHL CONNECTOR

Housing



Circuits	Model No.	Dimensions (mm)		Q'ty / box
	With protrusions	A	B	
2	SHLP-02V-S-B	1.0	4.6	6,000
6	SHLP-06V-S-B	5.0	8.6	3,000
7	SHLP-07V-S-B	6.0	9.6	3,000
14	SHLP-14V-S-B	13.0	16.6	2,000
16	SHLP-16V-S-B	15.0	18.6	1,000
20	SHLP-20V-S-B	19.0	22.6	1,000
22	SHLP-22V-S-B	21.0	24.6	1,000
26	SHLP-26V-S-B	25.0	28.6	1,000
30	SHLP-30V-S-B	29.0	32.6	1,000

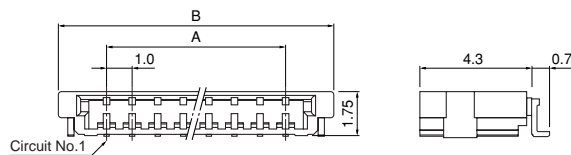
Material

PBT, UL94V-0, natural (white)

RoHS compliance

Shrouded header

Normal type



Normal type

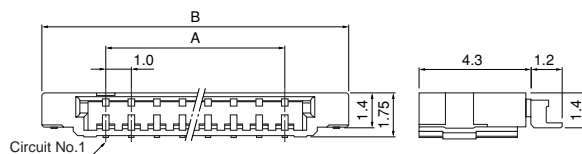
Circuits	Model No.	Insulation O.D. (mm)		Q'ty / reel
		A	B	
2	SM02B-SHLS-TF	1.0	4.8	4,500
6	SM06B-SHLS-TF	5.0	8.8	4,500
7	SM07B-SHLS-TF	6.0	9.8	4,500
16	SM16B-SHLS-TF	15.0	18.8	4,500
20	SM20B-SHLS-TF	19.0	22.8	4,500
22	SM22B-SHLS-TF	21.0	24.8	4,500
26	SM26B-SHLS-TF	25.0	28.8	4,500
30	SM30B-SHLS-TF	29.0	32.8	4,500

Material and Finish

Contact: Phosphor bronze, copper-undercoated, tin-plated (reflow treatment)
Housing: PA, UL94V-0, natural (ivory)
Solder tab: Brass, copper-undercoated, tin-plated (reflow treatment)

RoHS compliance This product displays (LF)(SN) on a label.
Note: Contact JST for the headers with gold-plated pins.

Offset type



Offset type

Circuits	Model No.	Insulation O.D. (mm)		Q'ty / reel
		A	B	
14	SM14B-SHLS-1-TF	13.0	18.0	4,500
20	SM20B-SHLS-1-TF	19.0	24.0	4,500

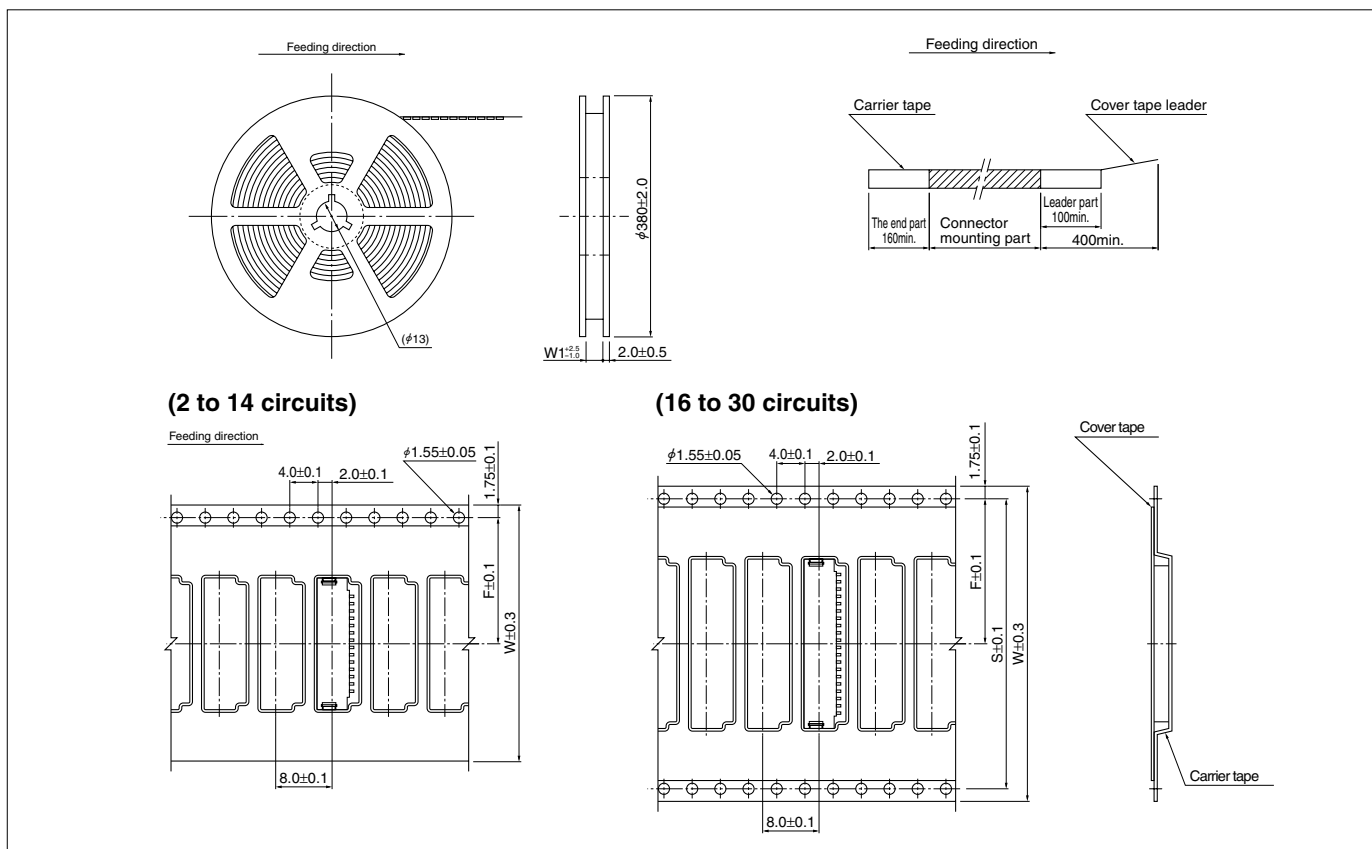
Material and Finish

Contact: Phosphor bronze, copper-undercoated, tin-plated (reflow treatment)
Housing: PA, UL94V-0, natural (ivory)
Solder tab: Brass, copper-undercoated, tin-plated (reflow treatment)

RoHS compliance This product displays (LF)(SN) on a label.
Note: Contact JST for the headers with gold-plated pins.

SHL CONNECTOR

Taping specifications



Circuits	Dimensions (mm)			Reel dimensions (mm)		Q'ty / reel
	F	S	W	W1		
2	5.5	-	12.0	13.5		4,500
6	7.5	-	16.0	17.5		4,500
7, 14	11.5	-	24.0	25.5		4,500
16	14.2	28.4	32.0	33.5		4,500
20 to 30	20.2	40.4	44.0	45.5		4,500

Note: 1. Specifications conform to JIS C 0806. The tape width, connector loading recess square hole dimensions, etc. are determined by the number of circuits and external shape of the connector to be loaded.
 2. Specifications are subject to change without prior notice.