

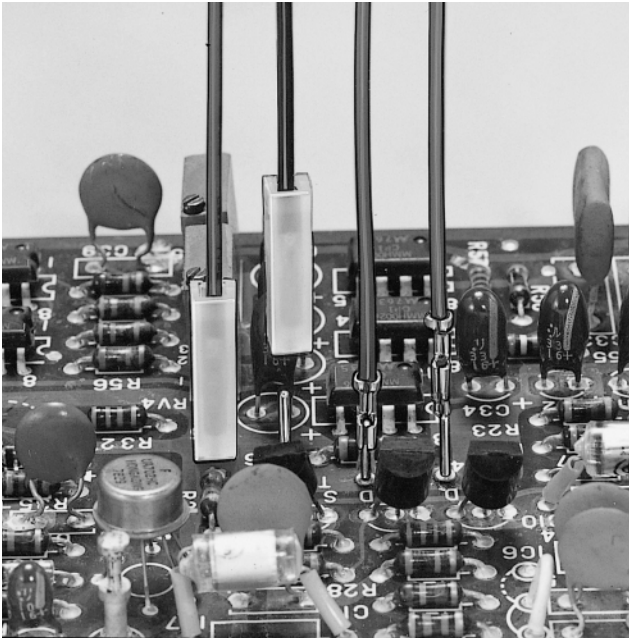
JST

Crimp

Single-circuit

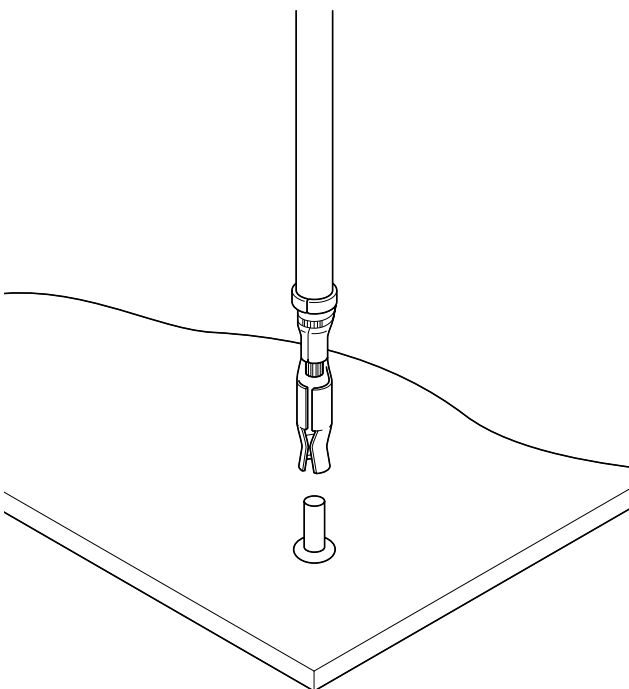
SMF CONNECTOR

Disconnectable Crimp style connector for 1.0mm and 1.3mm diameter pins



This small single-circuit connector connects to 1.0mm and 1.3mm diameter pins and requires only minimal space for connection of wires to high-density printed circuit boards.

The SMF connector has a funnel shaped lead-in to ease insertion and to ensure a balance with its high retaining force.



Specifications

- Current rating: 5A AC, DC
- Temperature range: -25°C to +85°C
(including temperature rise in applying electrical current)
- Contact resistance: Initial value/10m Ω max.
After environmental testing/15m Ω max.
- Insulation resistance: 1,000M Ω min.
- Withstanding voltage: 500V AC/minute
- Applicable wire: AWG #26 to #20
- Applicable PC board thickness: 1.6mm
- * RoHS compliant products are published.
- * Temperature Range:
The aforementioned temperature range of this connector is described in JST Standard Product Specification. Maximum temperature registered in UL is 105°C.
- * Refer to "General Instruction and Notice when using Terminals and Connectors" at the end of this catalog.
- * Contact JST for details.

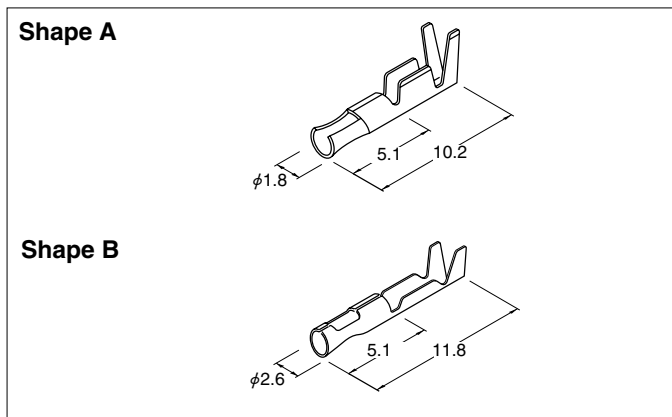
Standards

 Recognized E60389

 Certified LR20812

SMF CONNECTOR

Contact



Model No.	Applicable wire			Shape	Applicable pin	Q'ty / reel
	mm ²	AWG #	Insulation O.D.(mm)			
SMF-01T-1.0	0.13 to 0.5	26 to 20	1.3 to 2.7	A	RT-01T-1.0B	5,000
SMF-01T-1.3				B	RT-01T-1.3B	4,000

Material and Finish

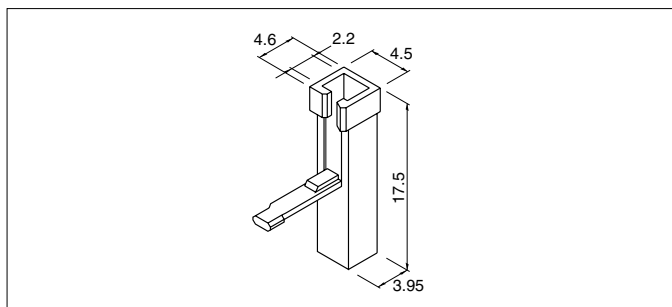
Brass, tin-plated (reflow treatment)

RoHS compliance

Note:

Contact JST if you require shielded wires or other special wires, or if two leads must be crimped in one contact.

Housing



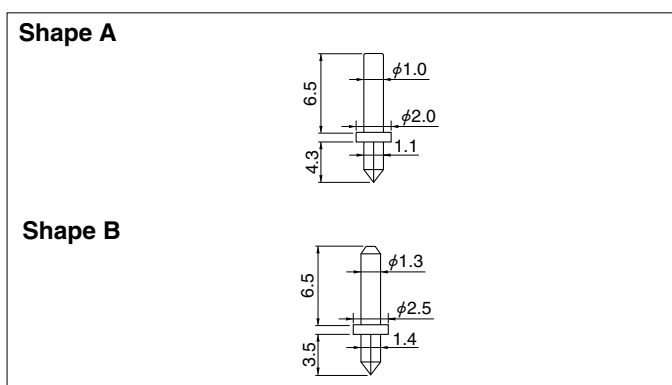
Model No.	Circuit	Insulation O.D.(mm)	Applicable contact	Q'ty / bag
1P-SMF	1	1.3 to 1.7	SMF-01T-1.0	1,000

Material

PA 66, UL94V-2, natural (white)

RoHS compliance

Pin



Model No.	Shape	Applicable PC board		Q'ty / box
		Thickness (mm)	Hole diameter (mm) [Reference]	
RT-01T-1.0B	A	1.6	1.0 ±0.05	20,000
RT-01T-1.3B	B	1.6	1.25 ±0.05	15,000

Material and Finish

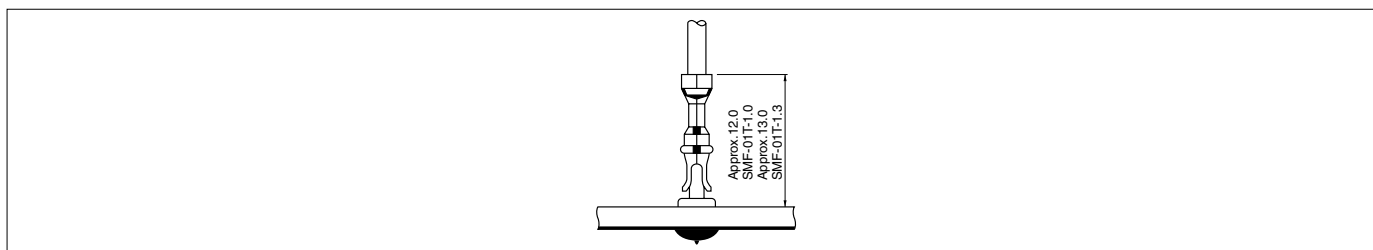
Brass, nickel-undercoated, tin/copper alloy-plated

RoHS compliance

Note:

Hole dimensions may differ according to the kind of PC board and piercing method.

Assembly layout



Crimping machine, Applicator

Contact	Crimping machine	Crimp applicator	Dies	Crimp applicator with dies
SMF-01T-1.0	AP-K2N	MKS-L	MK/SMF-01-10	APLMK SMF01-10
		-	-	-

Contact	Crimping machine	Crimp applicator	Dies	Crimp applicator with dies
SMF-01T-1.3	AP-K2N	MKS-L	MK/SMF-01-13	APLMK SMF01-13
		-	-	-