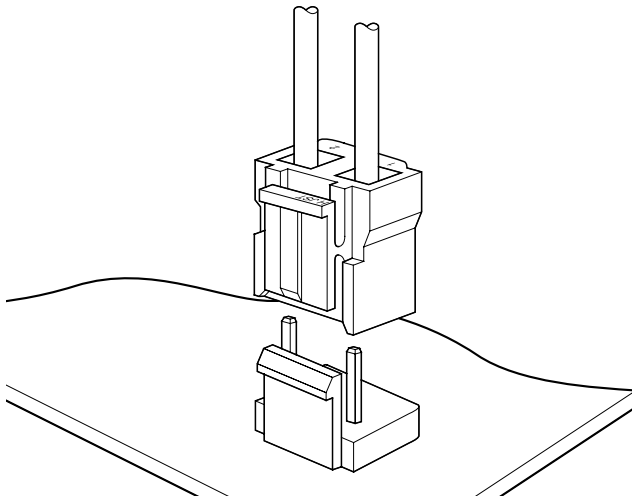




VA CONNECTOR

7.92mm pitch/Disconnectable Crimp style connectors



This 7.92mm pitch large current carrying capacity connector is used with primary power supply circuits and various other circuits requiring large currents. It features an anti-misinsertion construction and a reliable locking mechanism to ensure maximum safety.

- **Box contact**
- **Secure contact and mounting**
- **Compact connector with a large capacity**

Specifications

- Current rating: 7A AC, DC (AWG #18)
- Voltage rating: 250V AC, DC
- Temperature range: -25°C to +85°C
(including temperature rise in applying electrical current)
- Contact resistance: Initial value/10m Ω max.
After environmental testing/20m Ω max.
- Insulation resistance: 1,000M Ω min.
- Withstanding voltage: 1,200V AC/minute
- Applicable wire: AWG #20 to #18
- Applicable PC board thickness: 1.6mm
- * RoHS compliant products are published.
- * Refer to "General Instruction and Notice when using Terminals and Connectors" at the end of this catalog.
- * Contact JST for details.

Standards

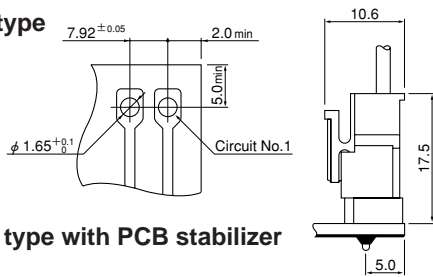
Recognized E60389

Certified LR20812

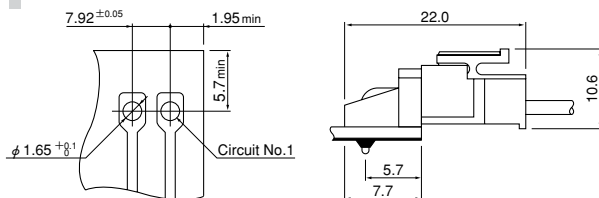
R75122

PC board layout (viewed from soldering side) and Assembly layout

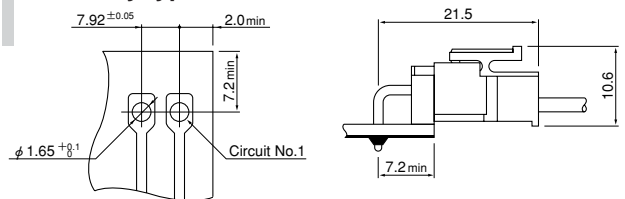
Top entry type



Side entry type with PCB stabilizer

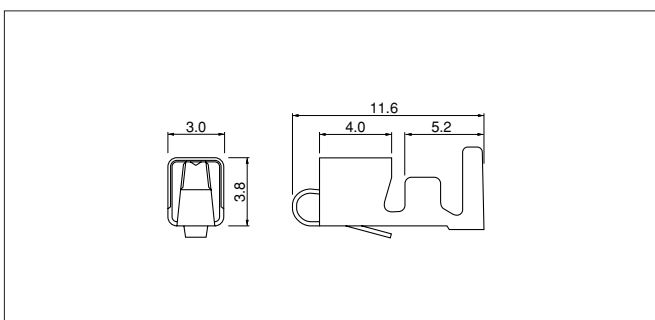


Side entry type



Note: 1. Tolerances are non-cumulative: ± 0.05 mm for all centers.
 2. Hole dimensions differ according to the kind of PC board and piercing method. The dimensions above should serve as a guideline.
 Contact JST for details.

Contact



Model No.	Applicable wire		Insulation O.D. (mm)	Q'ty / reel
	mm ²	AWG #		
SVA-41T-P1.1	0.5~0.83	20~18	1.9~3.7	3,500

Material and Finish

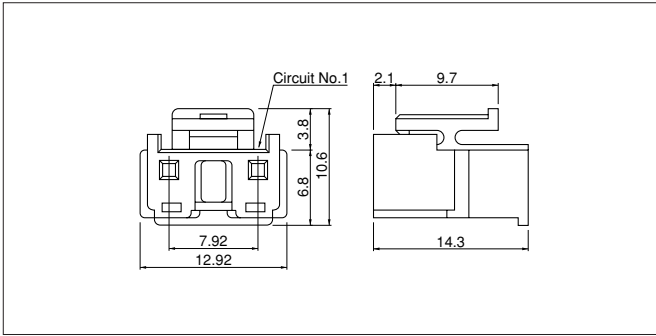
Phosphor bronze, tin-plated (reflow treatment)

RoHS compliance

Contact	Crimping machine	Applicator		
		Crimp applicator	Dies	Crimp applicator with dies
SVA-41T-P1.1	AP-K2N	MKS-L	MK/SVA-41-11	APLMK SVA41-11

VA CONNECTOR

Housing



Circuits	Model No.	Q'ty / bag
2	VAR-2	1,000

Material

PA 6, UL94V-0, natural (white)

RoHS compliance

<For reference> As the color identification, the following alphabet shall be put in the underlined part. For availability, delivery and minimum order quantity, contact JST.

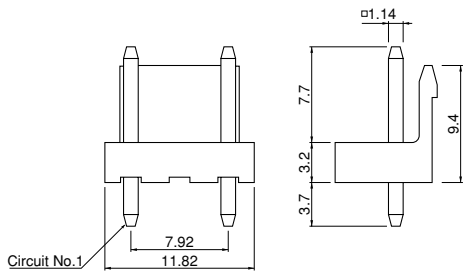
ex. **VAR-2-oo**

(blank)...natural (white)

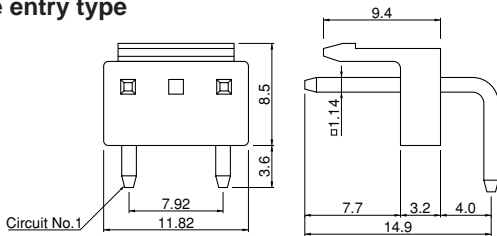
K...black R...red E...blue Y...yellow M...green N...brown

Locking header

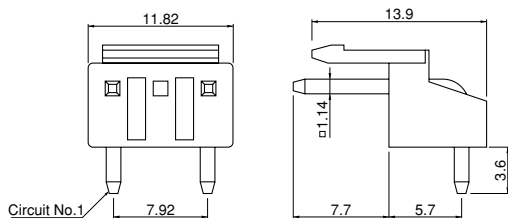
Top entry type



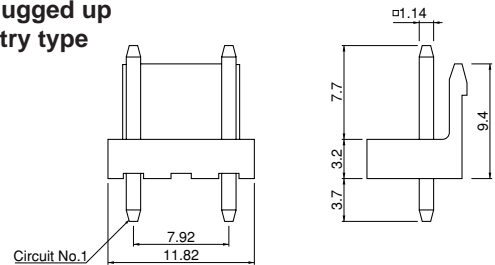
Side entry type



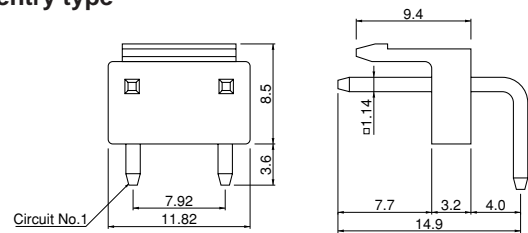
Side entry type with PCB stabilizer



With plugged up Top entry type



Side entry type



	Circuits	Model No.	Q'ty / box
Top entry type	2	B2P3-VH	1,000
Side entry type	2	B2P3S-VH	500
Side entry type with PCB stabilizer	2	S2P3-VH	500

With plugged up

	Circuits	Model No.	Q'ty / box
Top entry type	2	*B2P-VA	1,000
Side entry type	2	*B2PS-VA	500

Material and Finish

Post: Brass, copper-undercoated, tin-plated (reflow treatment)
Wafer: PA 66, UL94V-0, natural (white)

RoHS compliance This product displays (LF)(SN) on a label.

Note: *Marked products are not CSA/TÜV approved.

<For reference> As the color identification, the following alphabet shall be put in the underlined part. For availability, delivery and minimum order quantity, contact JST.

ex. **B2P3(S)-VH-oo**

(blank)...natural (white)

BK...black R...red BL...blue Y...yellow M...green N...brown
O...orange PK...pink P...purple H...gray

ex. **S2P3-VH-oo**

(blank)...natural (white)

BK...black R...red Y...yellow M...green