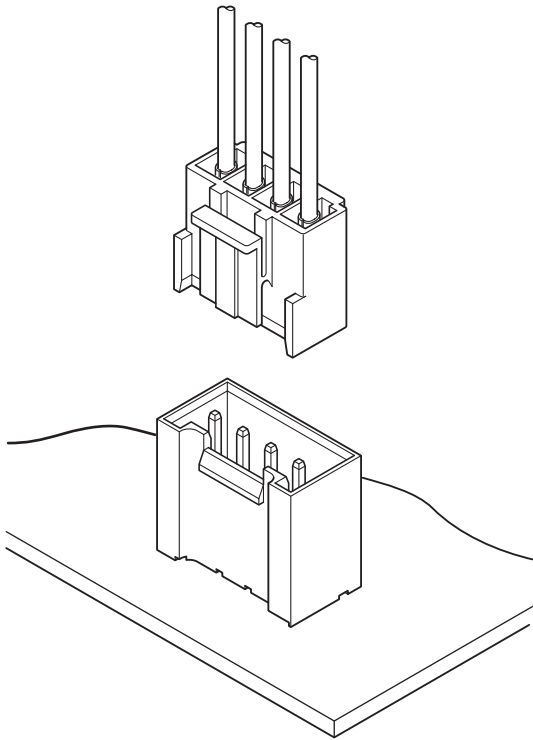


VH CONNECTOR (High box type)

3.96mm pitch/Disconnectable Crimp style connectors



Header for 3.96mm pitch VH connector for use specifically with resin coated ("potted") PC boards.

• **Interchangeability**

Specifications

- Current rating: 7A AC, DC (AWG #18)
- Voltage rating: 250V AC, DC
- Temperature range: -25°C to +85°C
(including temperature rise in applying electrical current)
- Contact resistance: Initial value/10m Ω max.
After environmental testing/20m Ω max.
- Insulation resistance: 1,000M Ω min.
- Withstanding voltage: 1,500V AC/minute
- Applicable wire: AWG #22 to #18
- Applicable PC board thickness: 1.6mm

Note: Do not branch in parallel current which exceeds the rated current. If branched in parallel, current imbalance or other problems may develop. If it is absolutely necessary to branch such a large current in parallel, be sure to use contacts made of phosphor bronze. Design the circuits without causing imbalance and provide an extra margin for each circuit.

* RoHS compliant products are published.

* Temperature Range:

The aforementioned temperature range of this connector is described in JST Standard Product Specification. Maximum temperature registered in UL is 105°C.

* Refer to "General Instruction and Notice when using Terminals and Connectors" at the end of this catalog.

* Contact JST for details.

Standards

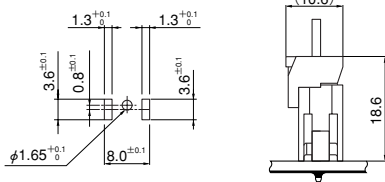
Recognized E60389

Certified LR20812

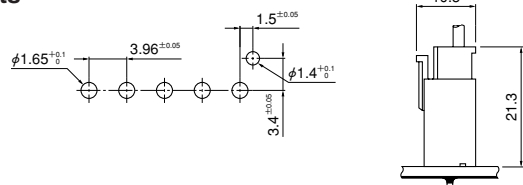
R75122

PC board layout (viewed from soldering side) and Assembly layout

1 circuit



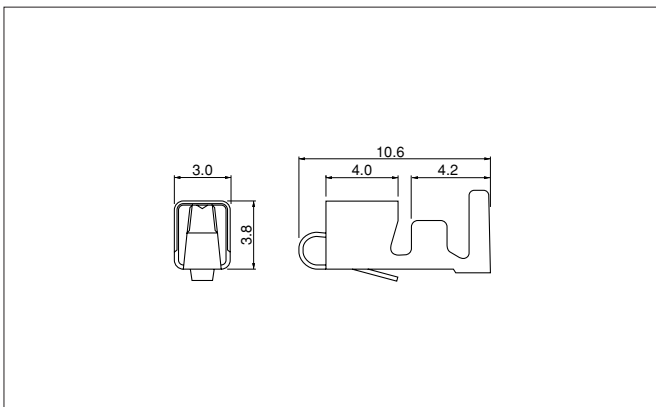
2 to 8 circuits



Note: 1. Tolerances are non-cumulative: ±0.05mm for all centers.

2. Hole dimensions differ according to the kind of PC board and piercing method. The dimensions above should serve as a guide line. Contact JST for details.

Contact



Model No.	Applicable wire		Insulation O.D. (mm)	Q'ty / reel
	mm ²	AWG#		
SVH-21T-P1.1	0.33~0.83	22~18	1.7~3.0	4,500

Material and Finish

Phosphor bronze, tin-plated (reflow treatment)

RoHS compliance

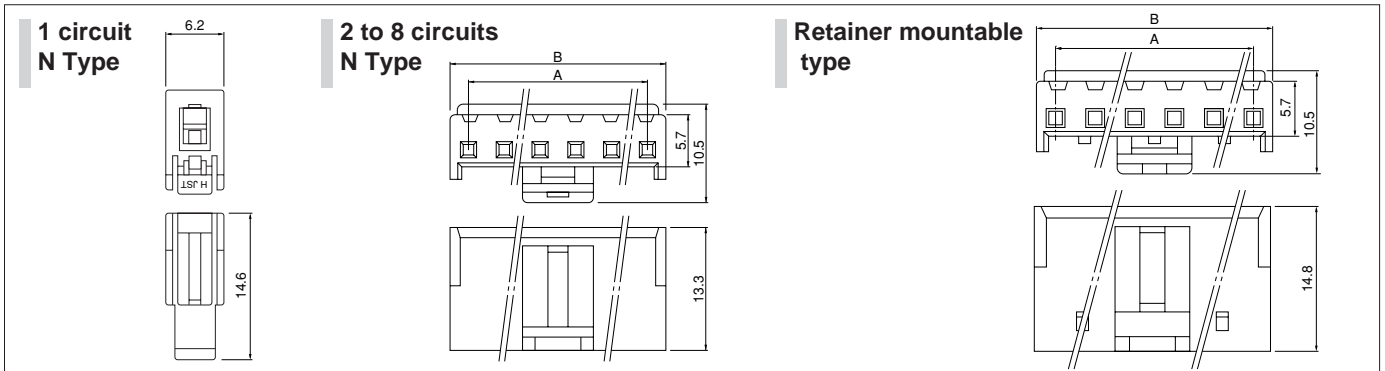
Note: Contact JST for brass products.

Contact	Crimping machine	Applicator		
		Crimp applicator	Dies	Crimp applicator with dies
SVH-21T-P1.1	AP-K2N	MKS-L	MK/SVH-21-11	APLMK SVH21-11
		*MKS-SC	SC/SVH-21-11	APLSC SVH21-11

Note: *Strip-crimp applicator

VH CONNECTOR (High box type)

Housing



Circuits	Model No.		Dimensions (mm)		Qty / bag
	N type	Retainer mountable type	A	B	
1	*VHR-1N	—	—	—	1,000
2	VHR-2N	—	3.96	7.86	1,000
3	VHR-3N	*VHRR-3N	7.92	11.82	1,000
4	VHR-4N	—	11.88	15.78	1,000
5	VHR-5N	*VHRR-5N	15.84	19.74	1,000
6	VHR-6N	—	19.80	23.70	500
7	VHR-7N	*VHRR-7N	23.76	27.66	500
8	VHR-8N	*VHRR-8N	27.72	31.62	500

Material

PA 6, UL94V-0, natural (white)

RoHS compliance

Note: *Marked products are not TÜV approved.

<For reference> As the color identification, the following alphabet shall be put in the underlined part.

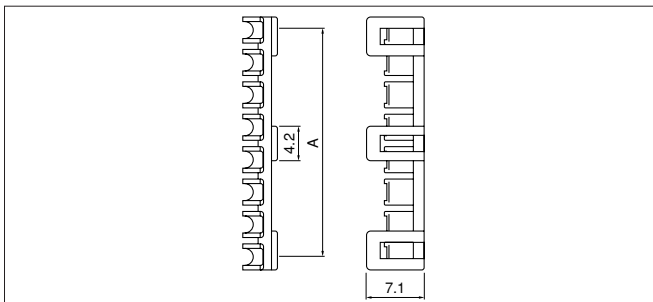
For availability, delivery and minimum order quantity, contact JST.

ex. **VHR-2N-oo**

(blank)...natural (white)

BK...black R...red BL...blue M...green

Retainer



Circuits	Model No.	A	Q'ty / bag
2	VHS-2V	3.70	1,000
3	VHS-3V	7.52	1,000
5	VHS-5V	15.44	1,000
7	VHS-7V	23.36	1,000
8	VHS-8V	27.32	1,000
9	VHS-9V	31.28	1,000

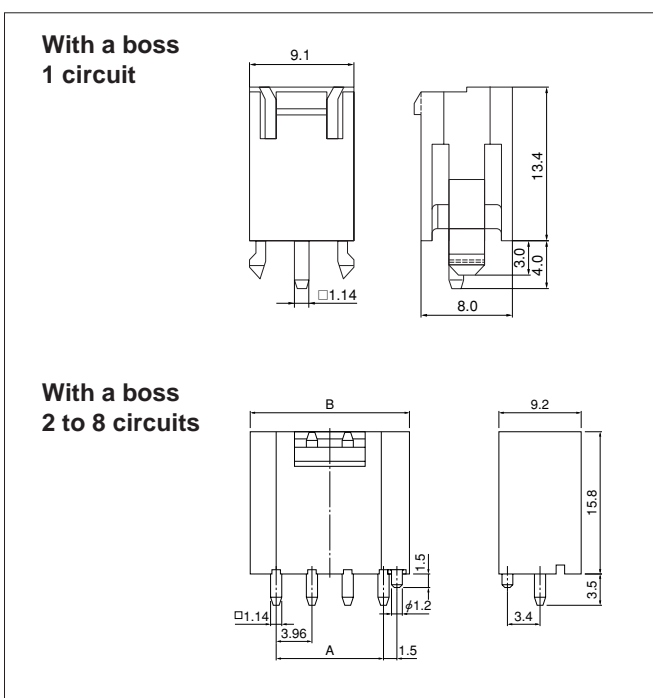
Material

Glass-filled PA 66, UL94V-0, natural (ivory)

RoHS compliance

Note: Not TÜV approved.

Shrouded header



Circuits	Model No.	Q'ty / box
1	BH1P-VH-1	500

Material and Finish

Post: Brass, copper-undercoated, tin-plated (reflow treatment)
Wafer: PA 66, UL-94V-0, natural (white)

RoHS compliance This product displays (LF)(SN) on a label.

Note: Not TÜV approved.

Circuits	Model No.	Dimensions (mm)		Q'ty / box
		A	B	
2	BH2P-VH-1	3.96	9.80	250
3	BH3P-VH-1	7.92	13.76	200
4	BH4P-VH-1	11.88	17.72	150
5	BH5P-VH-1	15.84	21.68	100
6	BH6P-VH-1	19.80	25.64	100
7	BH7P-VH-1	23.76	29.60	100
8	BH8P-VH-1	27.72	33.56	100

Material and Finish

Post: Brass, copper-undercoated, tin-plated (reflow treatment)
Wafer: Glass-filled PA 66, UL-94V-0, natural (ivory)

RoHS compliance This product displays (LF)(SN) on a label.

<For reference> As the color identification, the following alphabet shall be put in the underlined part.

For availability, delivery and minimum order quantity, contact JST.

ex. **BH2P-VH-1-oo**

(blank)...natural (ivory) BK...black R...red BL...blue M...green