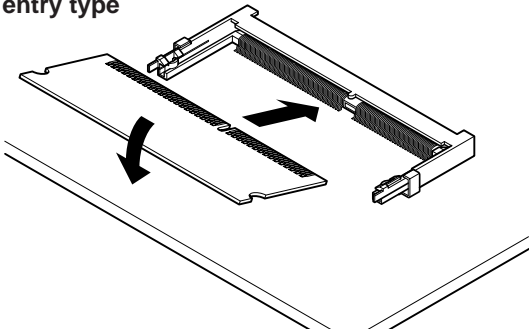




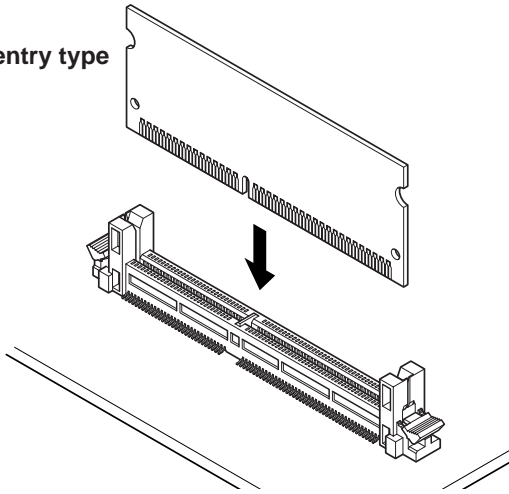
DM-144P CONNECTOR

0.8mm pitch/Socket for S.O.DIMM

Side entry type



Top entry type



Sockets for the 8Byte S.O.DIMM which is standardized by the JEDEC.

- Extremely small space for mounting on the board

Specifications

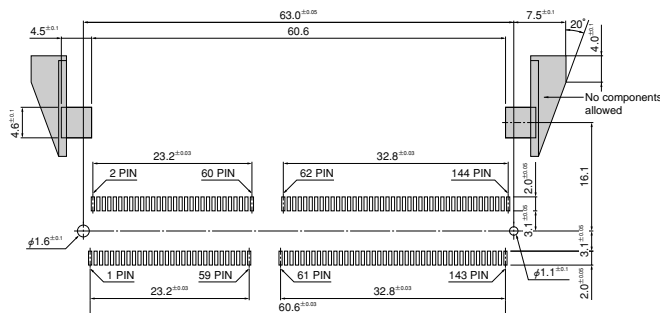
- Current rating: 0.5A AC, DC
- Voltage rating: 250V AC, DC
- Temperature range: -25°C to +85°C
(including temperature rise in applying electrical current)
- Contact resistance: Initial value/30m Ω max.
After environmental testing/50m Ω max.
- Insulation resistance: 250M Ω min.
- Withstanding voltage: 250V AC/minute
- * RoHS compliant products are published.
- * Refer to "General Instruction and Notice when using Terminals and Connectors" at the end of this catalog.
- * Contact JST for details.

Standards

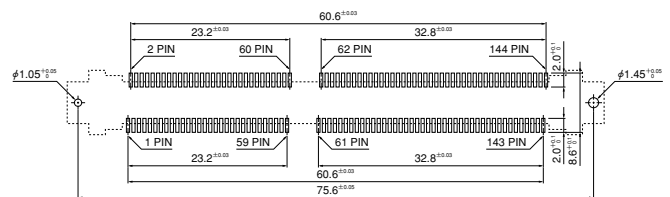
Recognized E60389

PC board layout (viewed from component side)

Side entry type



Top entry type

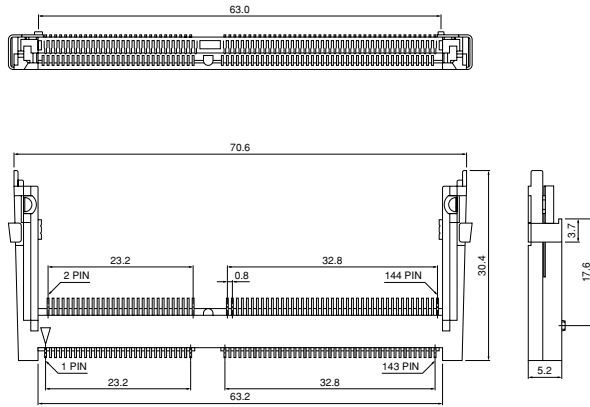


Note: 1. Tolerances are non-cumulative: $\pm 0.03\text{mm}$ for all centers.
2. The dimensions above should serve as a guideline. Contact JST for details.

DM-144P CONNECTOR

Connector

Side entry type



Model No.

DM-3B1-N1210

Q'ty / box

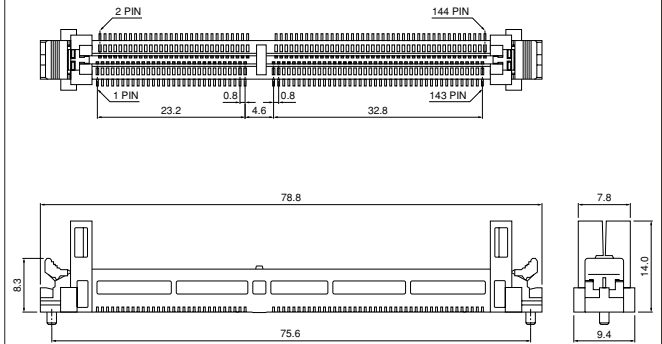
320

Material and Finish

Contact: Copper alloy, nickel-undercoated, Mating part; gold-plated
Solder tail; tin-plated (reflow treatment)
Housing: Heat resisting resin, UL94V-0
Solder tab: Copper alloy, copper-undercoated, tin-plated (reflow treatment)

RoHS compliance This product displays (LF)(SN) on a label.

Top entry type



Model No.

DM-3D4-B3200

Q'ty / box

224

Material and Finish

Contact: Copper alloy, nickel-undercoated, gold-plated
Housing: Heat resisting resin, UL94V-0
Ejector: Heat resisting resin, UL94V-0

RoHS compliance

Applicable PC board layout (for reference)

