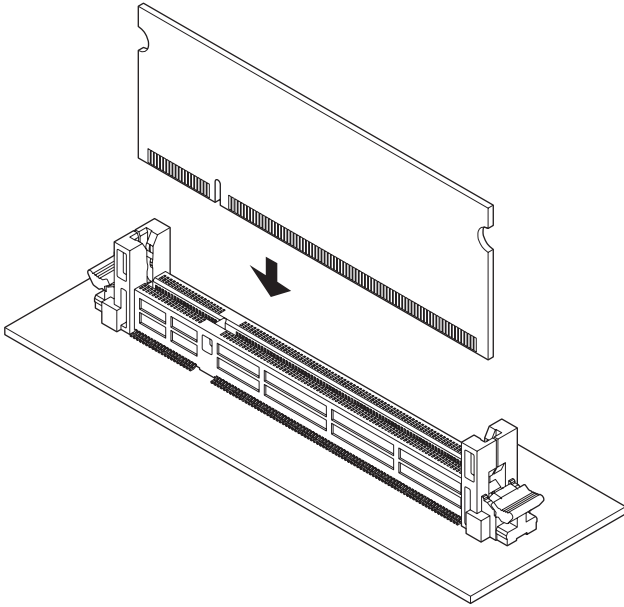




# DM-200P CONNECTOR

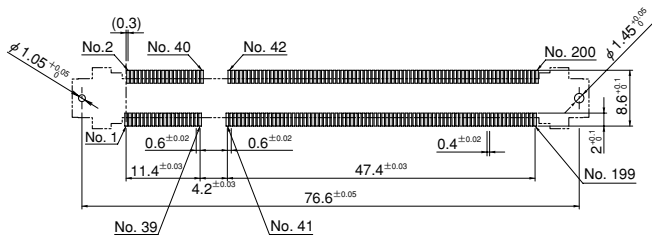
0.6mm pitch/Socket for DDR/DDR2 S.O.DIMM



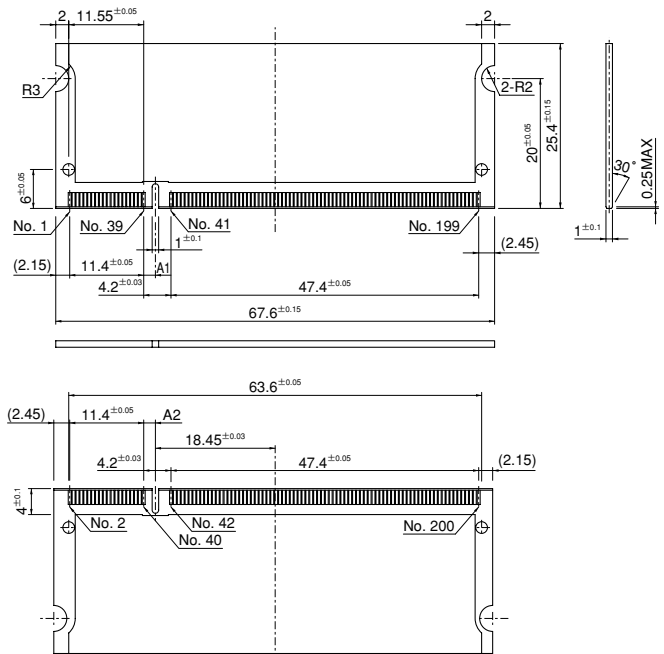
Socket for DDR/DDR2 S.O.DIMM 200 circuits complying with JEDEC(MO-224).

- Easy module inserting/ejecting
- 14.0mm height
- Socket for each S.O.DIMM of DDR/DDR2 is prepared.

## PC board layout (Common)



## Applicable PC board layout (Reference)



Note: The dimensions above should serve as a guideline.  
Contact JST for details.

## Specifications

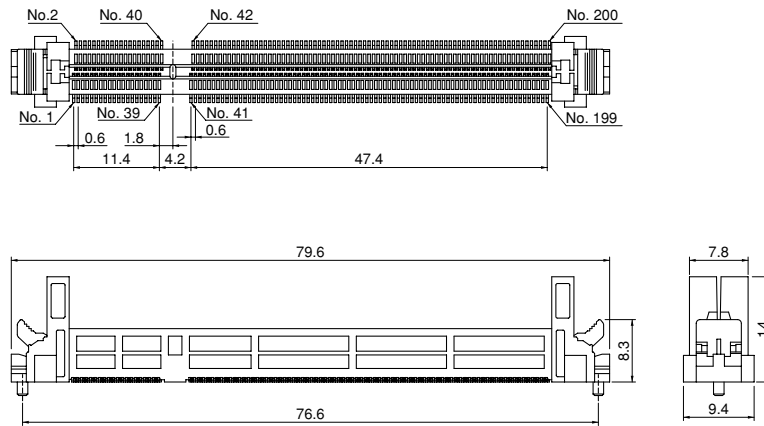
- Current rating: 0.3A AC, DC
- Voltage rating: 250V AC, DC
- Temperature range: -25°C to +85°C  
(including temperature rise in applying electrical current)
- Insulation resistance: 125M  $\Omega$  min.
- Withstanding voltage: 250V AC/minute
- \* RoHS compliant products are published.
- \* Refer to "General Instruction and Notice when using Terminals and Connectors" at the end of this catalog.
- \* Contact JST for details.

Applicable DIMM	A1	A2
Complying with JEDEC (MO224) DDR SDRAM S.O.DIMM 200P (2.5V)	1.8±0.03	1.5±0.03
Complying with JEDEC (MO224) DDR2 SDRAM S.O.DIMM 200P (1.8V)	2.7±0.03	2.4±0.03

# DM-200P CONNECTOR

## Connector

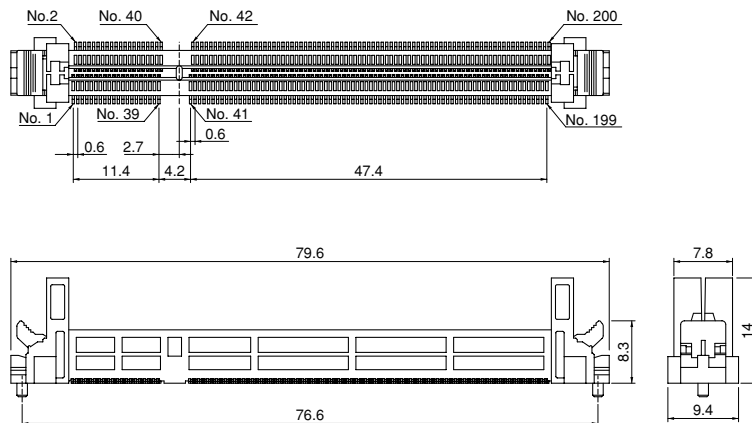
**For DDR  
(Operating voltage 2.5V)**



Model No.	Material and Finish	Q'ty / box
DM-6D4-B2400	Contact: Copper alloy, nickel-undercoated, gold-plated Housing: Heat resisting resin, UL94V-0, black Ejector: Heat resisting resin, UL94V-0, blue	224

*RoHS compliance*

**For DDR2  
(Operating voltage 1.8V)**



Model No.	Material and Finish	Q'ty / box
DM-7D4-H2400	Contact: Copper alloy, nickel-undercoated, gold-plated Housing: Heat resisting resin, UL94V-0 Ejector: Heat resisting resin, UL94V-0	224

*RoHS compliance*