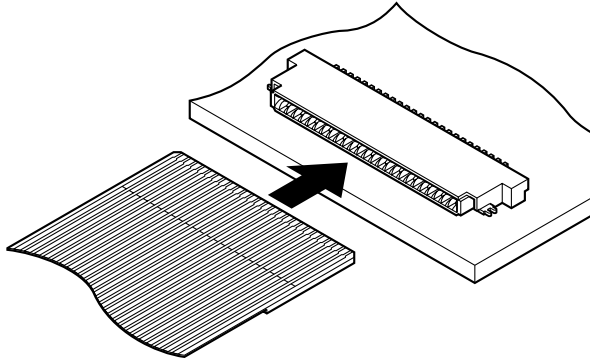




FH CONNECTOR

0.5mm pitch/Connectors for FPC



The large miniaturization at pitch direction and depth direction and low profile as 1.2mm mounting height are realized. FH connector is miniaturized and space saving Non-ZIF type connector for FPC.

- Double-sided contact
- Applicable to standard FPC

Specifications

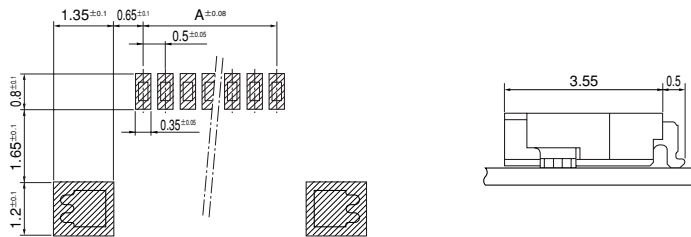
- Current rating: 0.5A AC, DC
 - Voltage rating: 50V AC, DC
 - Temperature range: -25°C to +85°C
(including temperature rise in applying electrical current)
 - Contact resistance: Initial value/40m Ω max.
After environmental testing/20m Ω max.
(variation from initial value)
 - Insulation resistance: 500M Ω min.
 - Withstanding voltage: 200V AC/minute
 - Applicable FPC: Conductor pitch/0.5mm
Conductor width/0.35mm
Mating part thickness/0.3±0.05mm
- * RoHS compliant products are published.
* Refer to "General Instruction and Notice when using Terminals and Connectors" at the end of this catalog.
* Contact JST for details.

Standards

Recognized E60389

Certified LR20812

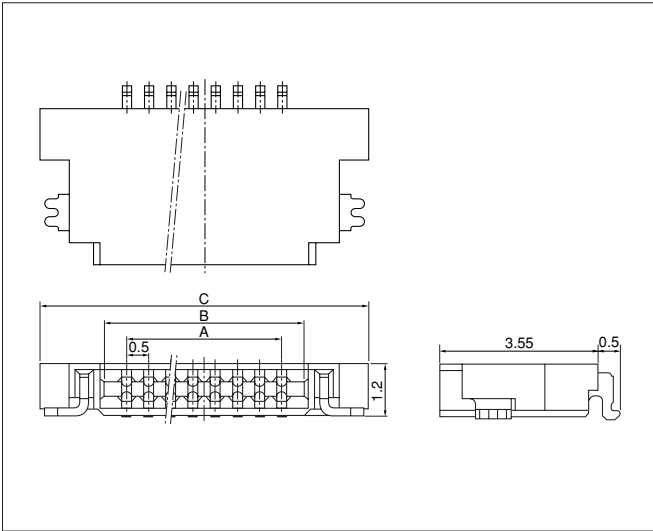
PC board layout (viewed from component side) and Assembly layout



Note: 1. Tolerances are non-cumulative: ±0.08mm for all centers.
2. The dimensions above should serve as a guideline. Contact JST for details.

FH CONNECTOR

Connector



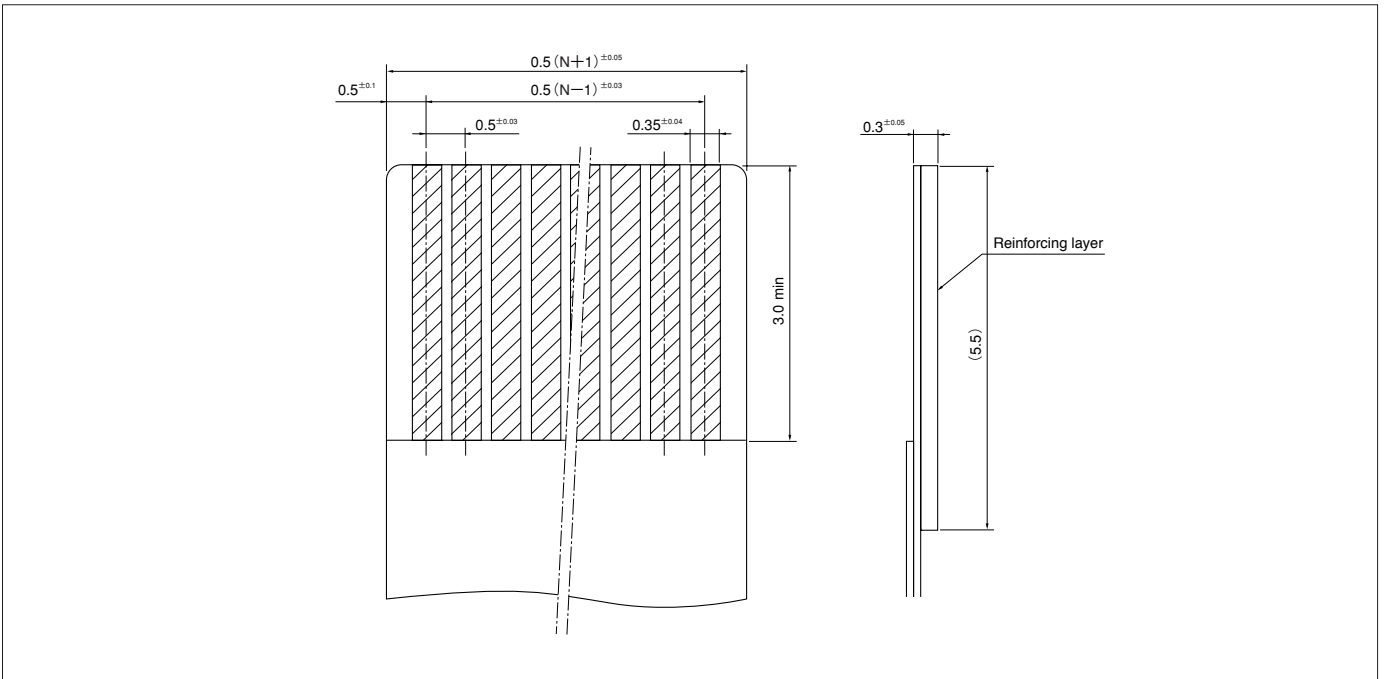
Circuits	Model No.	Dimensions (mm)			Q'ty / reel
		A	B	C	
5	05FH-SM1-TB	2.0	3.0	5.9	4,000
6	06FH-SM1-TB	2.5	3.5	6.4	4,000
7	07FH-SM1-TB	3.0	4.0	6.9	4,000
8	08FH-SM1-TB	3.5	4.5	7.4	4,000
10	10FH-SM1-TB	4.5	5.5	8.4	4,000
11	11FH-SM1-TB	5.0	6.0	8.9	4,000
12	12FH-SM1-TB	5.5	6.5	9.4	4,000
14	14FH-SM1-TB	6.5	7.5	10.4	4,000
16	16FH-SM1-TB	7.5	8.5	11.4	4,000
18	18FH-SM1-TB	8.5	9.5	12.4	4,000
20	20FH-SM1-TB	9.5	10.5	13.4	4,000
25	25FH-SM1-TB	12.0	13.0	15.9	4,000

Material and Finish

Contact: Copper alloy, copper-undercoated, tin-plated (reflow treatment)
Housing: LCP, UL94V-0
Solder tab: Copper alloy, copper-undercoated, tin-plated (reflow treatment)

RoHS compliance This product displays (LF)(SN) on a label.

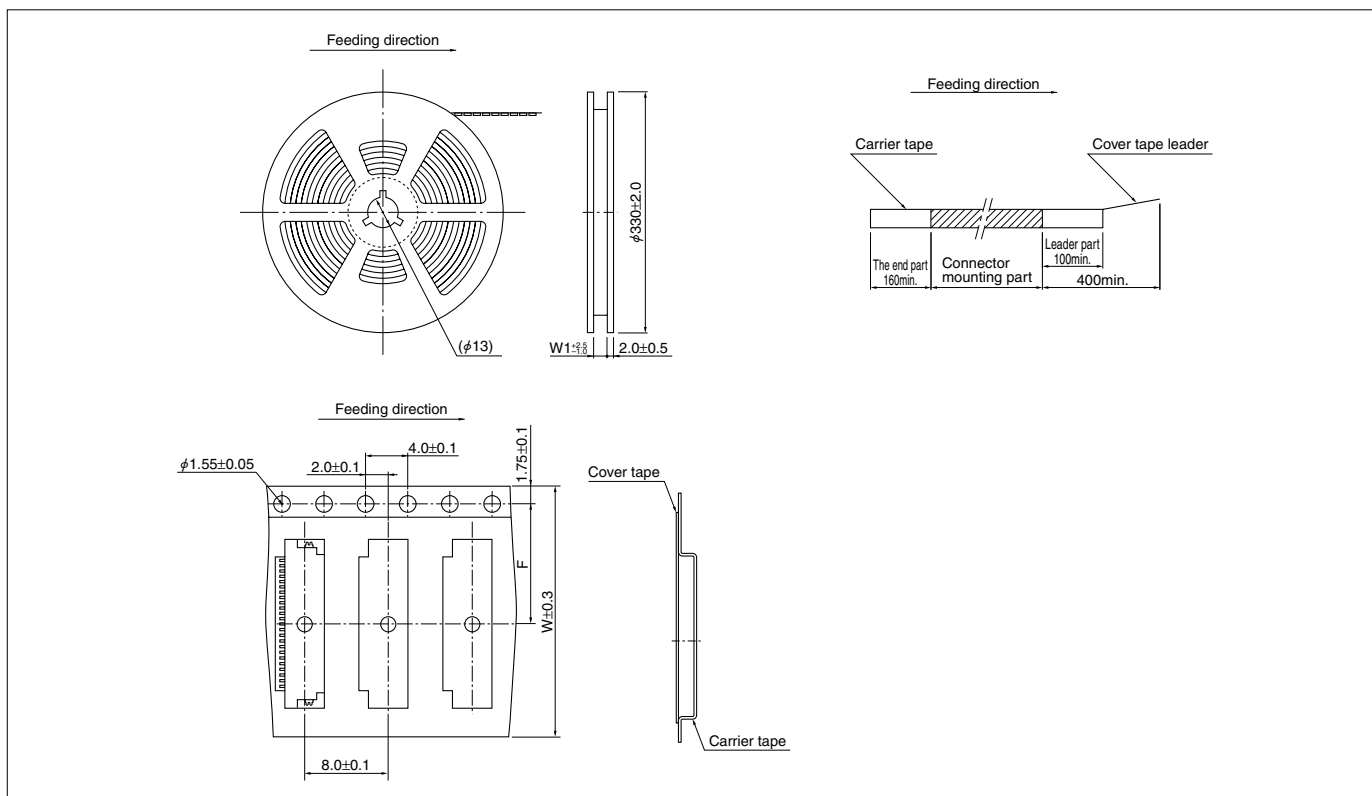
Lead section dimensions of FPC



Note: N --- Number of circuits

FH CONNECTOR

Taping specifications



Circuits	Taping dimensions (mm)		Reel dimensions (mm)	Qty / reel
	F	W	W1	
5 to 12	7.5	16.0	17.5	4,000
14 to 25	11.5	24.0	25.5	4,000

Note:

1. Specifications conform to JIS C 0806. The tape width, connector loading recess square hole dimensions, etc. are determined by the number of circuits and external shape of the connector to be loaded.
2. Specifications are subject to change without prior notice.