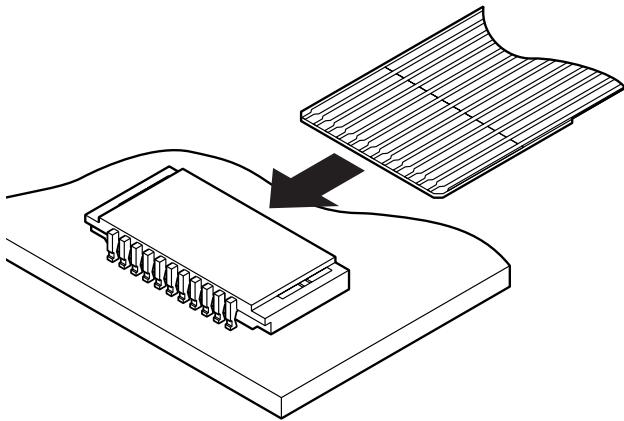


FHJ CONNECTOR

0.5mm pitch/Connectors for FPC



Non-ZIF type low profile of 1.2mm mounting height. 0.3mm thick standard type FPC is applicable.

- Compact mounting space
- Heat resisting design suitable for surface mounting

Specifications

- Current rating: 0.5A AC, DC
- Voltage rating: 50V AC, DC
- Temperature range: -25°C to +85°C
(including temperature rise in applying electrical current)
- Contact resistance: Initial value/40m Ω max.
After environmental testing/20m Ω max.
(variation from initial value)
- Insulation resistance: 500M Ω min.
- Withstanding voltage: 200V AC/minute
- Applicable FPC: Conductor pitch/0.5mm
Conductor width/0.35mm
Mating part thickness/0.3±0.05mm

Note: FPC to be actually used should be checked for applicability.

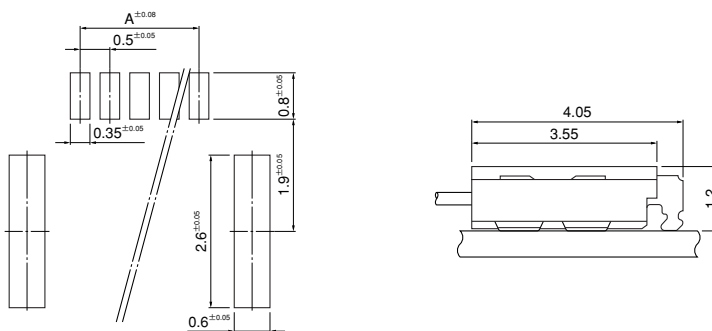
- * RoHS compliant products are published.
- * Refer to "General Instruction and Notice when using Terminals and Connectors" at the end of this catalog.
- * Contact JST for details.

Standards

Ⓜ Recognized E60389

Ⓢ Certified LR20812

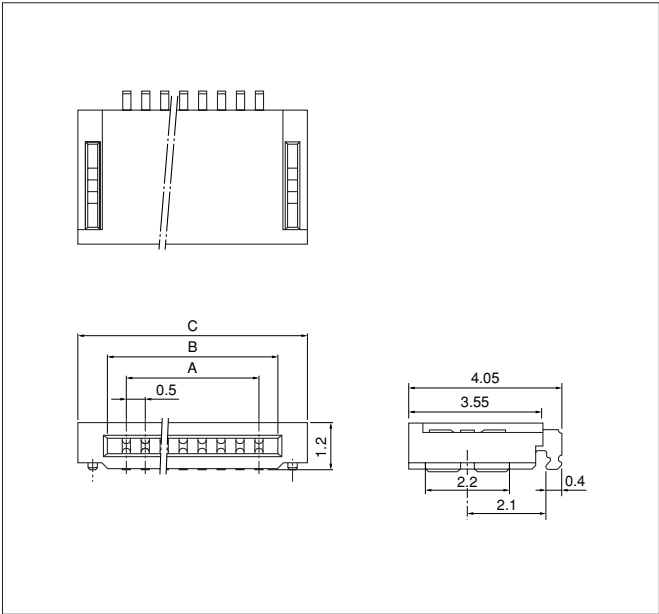
PC board layout (viewed from component side) and Assembly layout



- Note: 1. Tolerances are non-cumulative: ±0.08mm for all centers.
2. The dimensions above should serve as a guide line. Contact JST for details.*

FHJ CONNECTOR

Connector



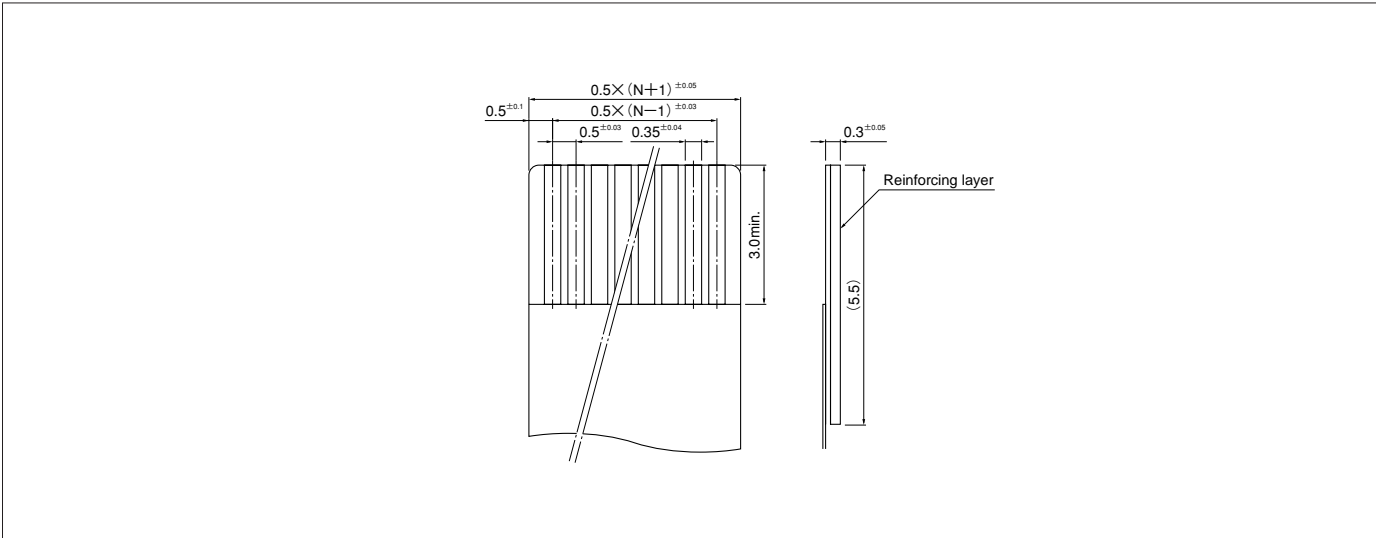
Circuits	Model No.	Dimensions (mm)			Q'ty / reel
		A	B	C	
5	05FHJ-SM1-TB	2.0	3.0	4.6	4,000
6	06FHJ-SM1-TB	2.5	3.5	5.1	4,000
7	07FHJ-SM1-TB	3.0	4.0	5.6	4,000
8	08FHJ-SM1-TB	3.5	4.5	6.1	4,000
10	10FHJ-SM1-TB	4.5	5.5	7.1	4,000
11	11FHJ-SM1-TB	5.0	6.0	7.6	4,000
12	12FHJ-SM1-TB	5.5	6.5	8.1	4,000
14	14FHJ-SM1-TB	6.5	7.5	9.1	4,000
16	16FHJ-SM1-TB	7.5	8.5	10.1	4,000
18	18FHJ-SM1-TB	8.5	9.5	11.1	4,000
20	20FHJ-SM1-TB	9.5	10.5	12.1	4,000
21	21FHJ-SM1-TB	10.0	11.0	12.6	4,000
24	24FHJ-SM1-TB	11.5	12.5	14.1	4,000

Material and Finish

Contact: Copper alloy, copper-undercoated, tin-plated (reflow treatment)
 Housing: LCP, UL94V-0
 Solder tab: Copper alloy, copper-undercoated, tin-plated (reflow treatment)

RoHS compliance This product displays (LF)(SN) on a label.

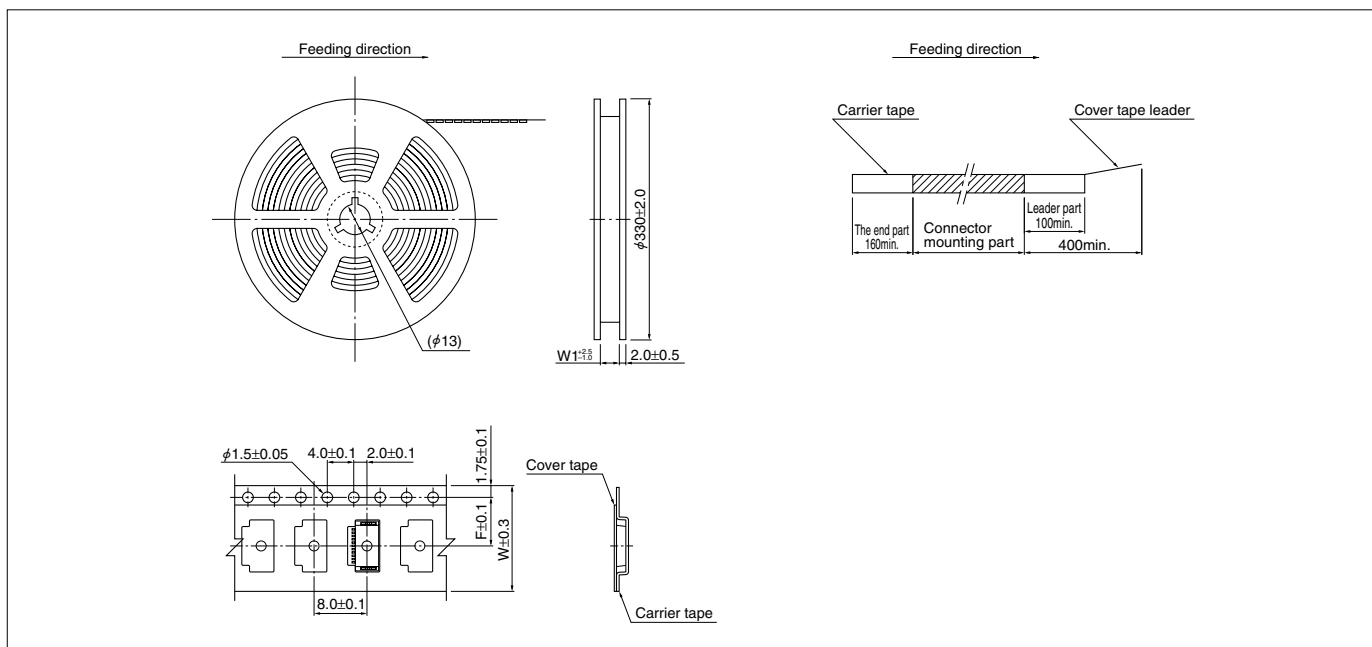
Lead section dimensions of FPC



Note: N --- Number of circuits

FHJ CONNECTOR

Taping specifications



Circuits	Taping dimensions (mm)		Reel dimensions (mm)	Qty / reel
	F	W	W1	
5 to 6	5.5	12	13.5	4,000
7 to 14	7.5	16	17.5	4,000
16 to 24	11.5	24	25.5	4,000

Note:

1. Specifications conform to JIS C 0806. The tape width, connector recess hole dimensions, etc. are determined by the number of circuits and external shape of the connector to be loaded.
2. Specifications are subject to change without prior notice.