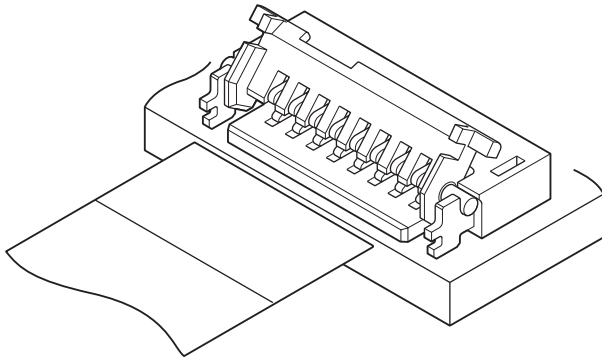




FHS CONNECTOR

0.5mm pitch/Connectors for FPC



FHS connector is a space-saving type connector for FPC with 3.1mm depth, though it is low profile of 0.9mm mounting height. 0.2mm thick standard FPC.

- **Space saving design**
- **Heat resisting design suitable for surface mounting**
- **Self-lock mechanism enables the cover to close by one-touch operation**

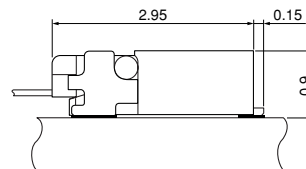
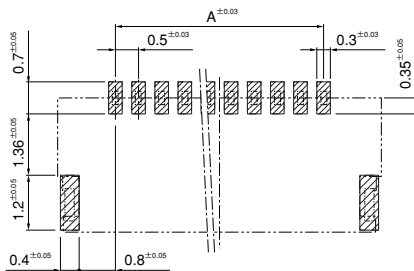
Specifications

- Current rating: 0.5A AC, DC
 - Voltage rating: 50V AC, DC
 - Temperature range: -25°C to +85°C
(including temperature rise in applying electrical current)
 - Contact resistance: Initial value/60m Ω max.
After environmental testing/60m Ω max.
(variation from initial value)
 - Insulation resistance: 800M Ω min.
 - Withstanding voltage: 200V AC/minute
 - Applicable FPC: Conductor pitch/0.5mm
Conductor width/0.35mm
Mating part thickness/0.2±0.03mm
- * RoHS compliant products are published.
* Refer to "General Instruction and Notice when using Terminals and Connectors" at the end of this catalog.
* Contact JST for details.

Standards

Recognized E60389

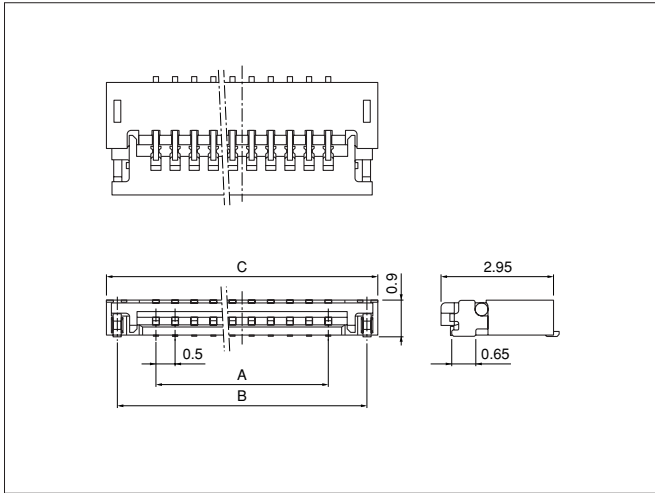
PC board layout (viewed from component side) and Assembly layout



Note: 1. Tolerances are non-cumulative: ±0.03mm for all centers.
2. The dimensions above should serve as a guideline. Contact JST for details.

FHS CONNECTOR

Connector



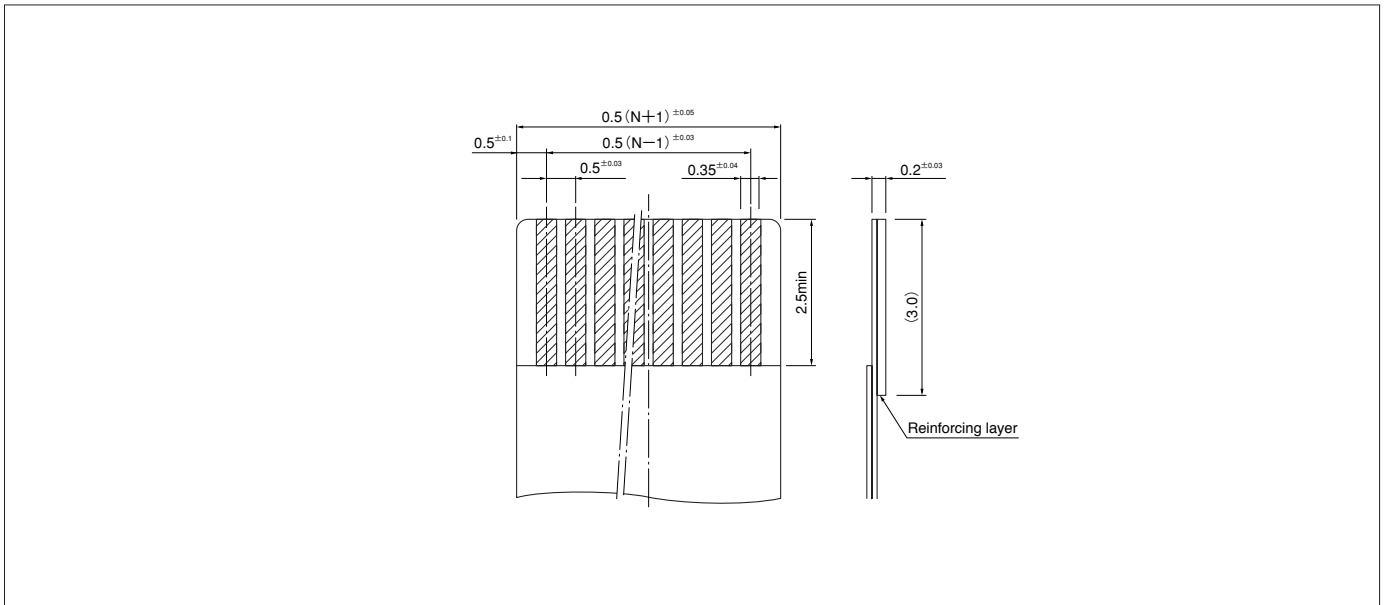
Circuits	Model No.	Dimensions (mm)			Q'ty / reel
		A	B	C	
3	03FHS-RSM1-GAN-TB	1.0	3.0	3.56	6,000
4	04FHS-RSM1-GAN-TB	1.5	3.5	4.06	6,000
6	06FHS-RSM1-GAN-TB	2.5	4.5	5.06	6,000
8	08FHS-RSM1-GAN-TB	3.5	5.5	6.06	6,000
9	09FHS-RSM1-GAN-TB	4.0	6.0	6.56	6,000

Material and Finish

Contact: Copper alloy, nickel-undercoated, gold-plated (nickel-stripe)
Housing: LCP, UL94V-0
Solder tab: Brass, copper-undercoated, tin-plated (reflow treatment)
Cover: PPS, UL94V-0

RoHS compliance This product displays (LF)(SN) on a label.
This products listed above are supplied on embossed-tape.

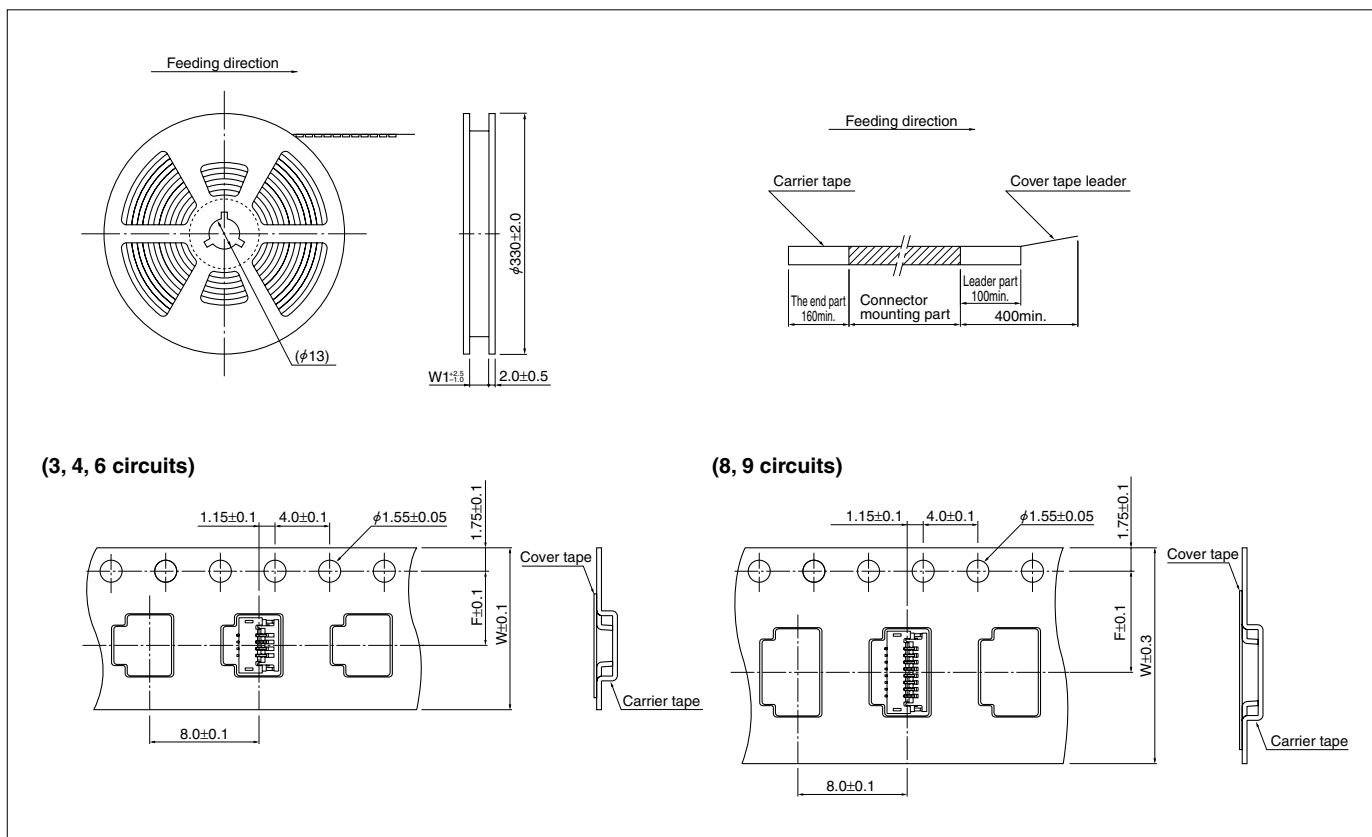
Lead section dimensions of FPC



Note: N --- Number of circuits

FHS CONNECTOR

Taping specifications



Circuits	Taping dimensions (mm)		Reel dimensions (mm)	Q'ty / reel
	F	W	W1	
3, 4, 6	5.5	12.0	13.5	6,000
8, 9	7.5	16.0	17.5	6,000

Note: 1. Specifications conform to JIS C 0806. The tape width, connector loading recess square hole dimensions, etc. are determined by the number of circuits and external shape of the connector to be loaded.
 2. Specifications are subject to change without prior notice.