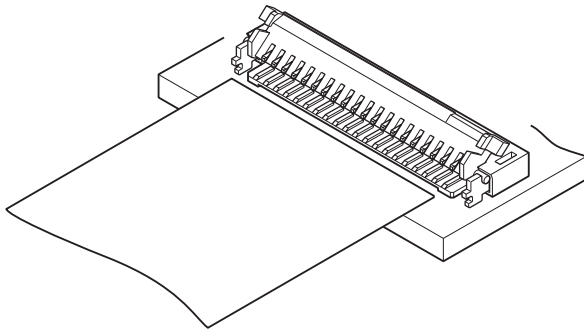


FHSY CONNECTOR



0.5mm pitch/Connectors for FPC



This ZIF (zero insertion force) type flip lock FPC connector achieves a low profile feature of a 0.9mm mounting height despite the thickness of the FPC being 0.3mm.

- Space saving design
- Heat resisting design suitable for surface mounting
- Embossed tape for automatic mounting

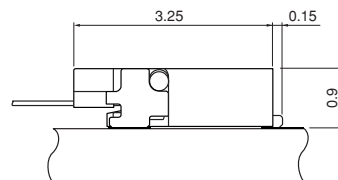
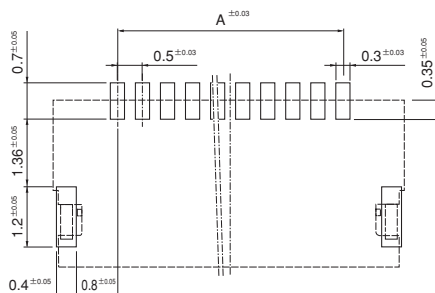
Specifications

- Current rating: 0.5A AC, DC
- Voltage rating: 50V AC, DC
- Temperature range: -25°C to +85°C
(including temperature rise in applying electrical current)
- Contact resistance: Initial value/60m Ω max.
After environmental testing/60m Ω max.
(variation from initial value)
- Insulation resistance: 800M Ω min.
- Withstanding voltage: 200V AC/minute
- Applicable FPC: Conductor pitch/0.5mm
Conductor width/0.35mm
Mating part thickness/0.3±0.05mm
- * RoHS compliant products are published.
- * Refer to "General Instruction and Notice when using Terminals and Connectors" at the end of this catalog.
- * Contact JST for details.

Standards

Recognized E60389

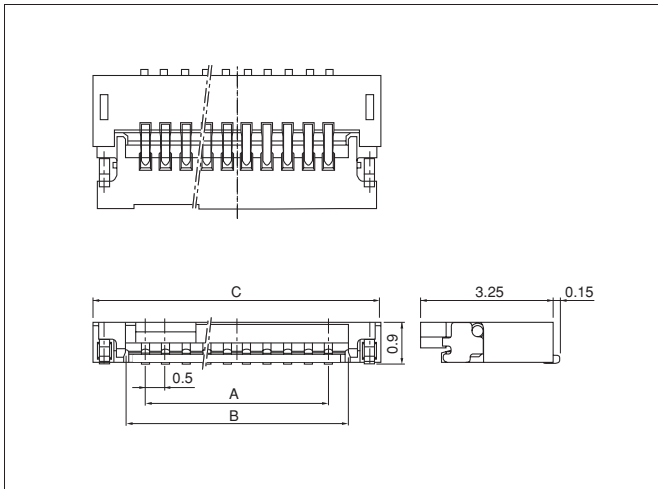
PC board layout (viewed from component side) and Assembly layout



Note: 1. Tolerances are non-cumulative: ± 0.03 mm for all centers.
2. The dimensions above should serve as a guideline. Contact JST for details.

FHSY CONNECTOR

Connector



Circuits	Model No.	Dimensions (mm)			Q'ty / reel
		A	B	C	
5	05FHSY-RSM1-GAN-TB	2.0	3.0	4.56	3,000
6	06FHSY-RSM1-GAN-TB	2.5	3.5	5.06	3,000
11	11FHSY-RSM1-GAN-TB	5.0	6.0	7.56	3,000
12	12FHSY-RSM1-GAN-TB	5.5	6.5	8.06	3,000
16	16FHSY-RSM1-GAN-TB	7.5	8.5	10.06	3,000
18	18FHSY-RSM1-GAN-TB	8.5	9.5	11.06	3,000
20	20FHSY-RSM1-GAN-TB	9.5	10.5	12.06	3,000
24	24FHSY-RSM1-GAN-TB	11.5	12.5	14.06	3,000
28	28FHSY-RSM1-GAN-TB	13.5	14.5	16.06	3,000

Material and Finish

Contact: Copper alloy, nickel-undercoated, gold-plated (nickel-stripe)

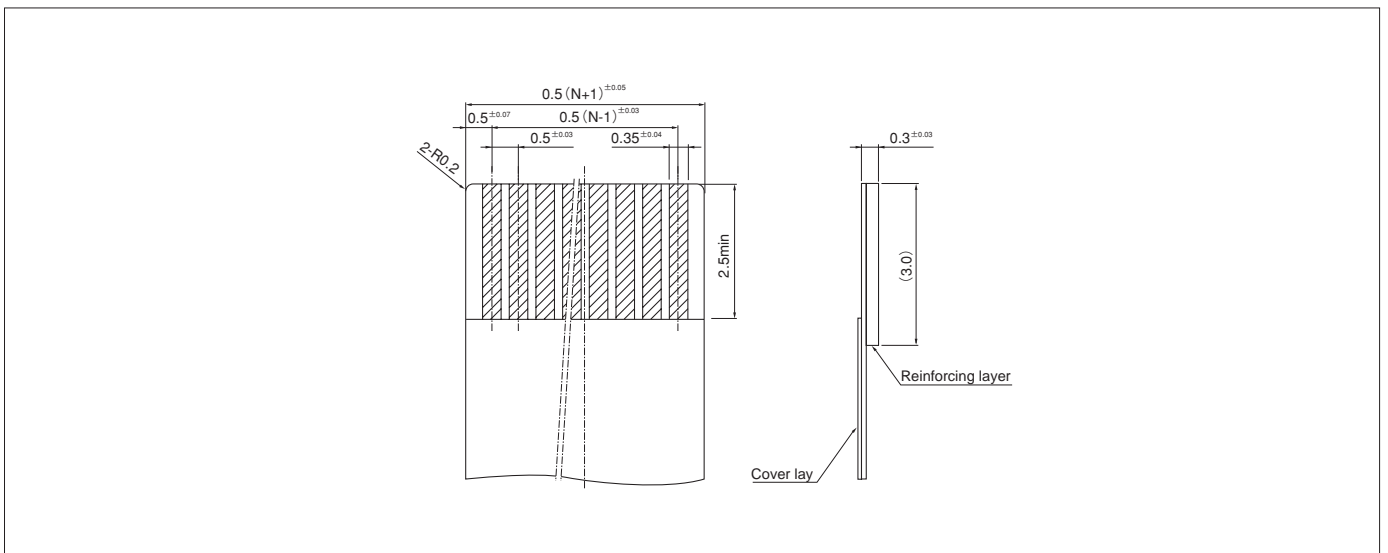
Cover: Heat resisting resin, UL94V-0

Housing: Heat resisting resin, UL94V-0

Solder tab: Copper alloy, copper-undercoated, tin-plated (reflow treatment)

RoHS compliance This product displays (LF)(SN) on a label.

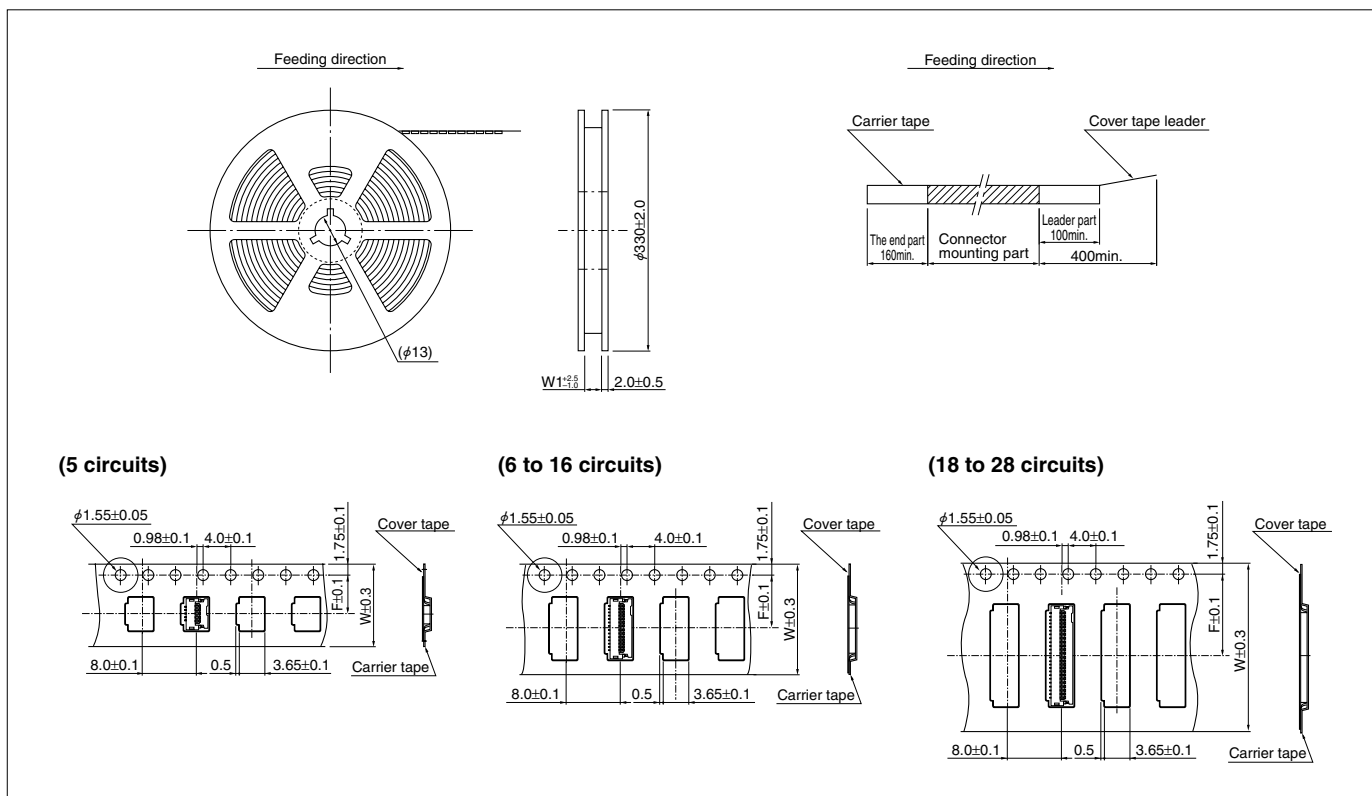
Lead section dimensions of FPC



Note: N --- Number of circuits

FHSY CONNECTOR

Taping specifications



Circuits	Taping dimensions (mm)		Reel dimensions (mm)	Q'ty / reel
	F	W	W1	
5	5.5	12.0	17.5	3,000
6 to 16	7.5	16.0	17.5	3,000
18 to 28	11.5	24.0	25.5	3,000

Note:

- Specifications conform to JIS C 0806. The tape width, connector loading recess square hole dimensions, etc. are determined by the number of circuits and external shape of the connector to be loaded.
- Specifications are subject to change without prior notice.