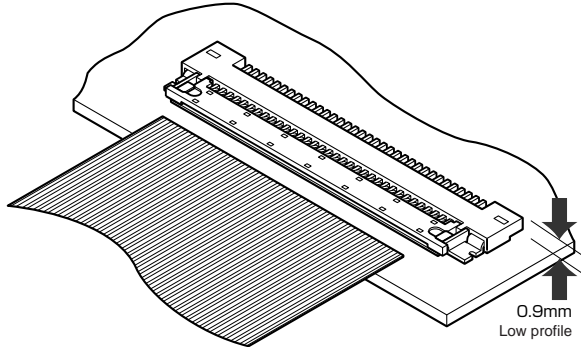




FHX CONNECTOR

0.5mm pitch/Connectors for FPC



ZIF (zero insertion force) flip lock type connectors.

- Low-profile
- Heat resisting design suitable for surface mounting

Specifications

- Current rating: 0.5A AC, DC
- Voltage rating: 50V AC, DC
- Temperature range: -25°C to +85°C
(including temperature rise in applying electrical current)
- Contact resistance: Initial value/60m Ω max.
After environmental testing/60m Ω max.
(variation from initial value)
- Insulation resistance: 800M Ω min.
- Withstanding voltage: 200V AC/minute
- Applicable FPC: Conductor pitch/0.5mm
Conductor width/0.35mm
Mating part thickness/0.12±0.03mm

Note: FPC to be actually used should be checked for applicability.

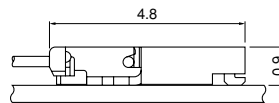
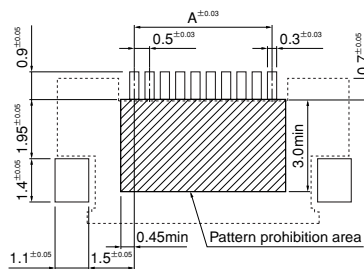
- * RoHS compliant products are published.
- * Refer to "General Instruction and Notice when using Terminals and Connectors" at the end of this catalog.
- * Contact JST for details.

Standards

Ⓜ Recognized E60389

Ⓢ Certified LR20812

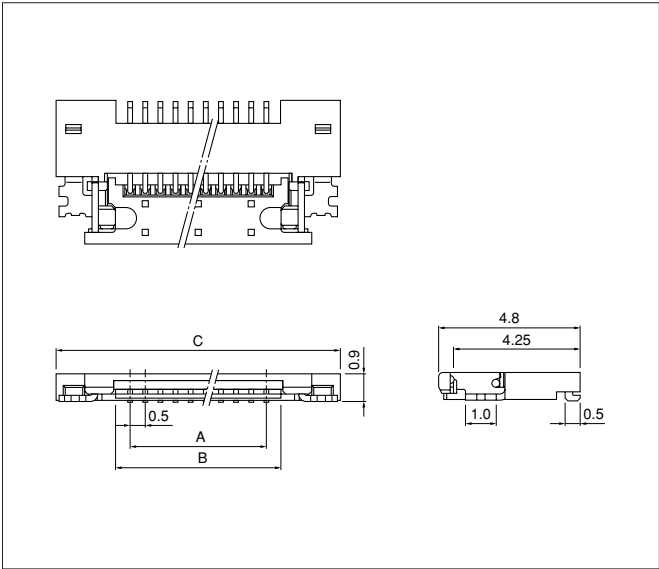
PC board layout (viewed from component side) and Assembly layout



- Note: 1. Tolerances are non-cumulative: ±0.03mm for all centers.
2. The dimensions above should serve as a guide line. Contact JST for details.

FHX CONNECTOR

Connector



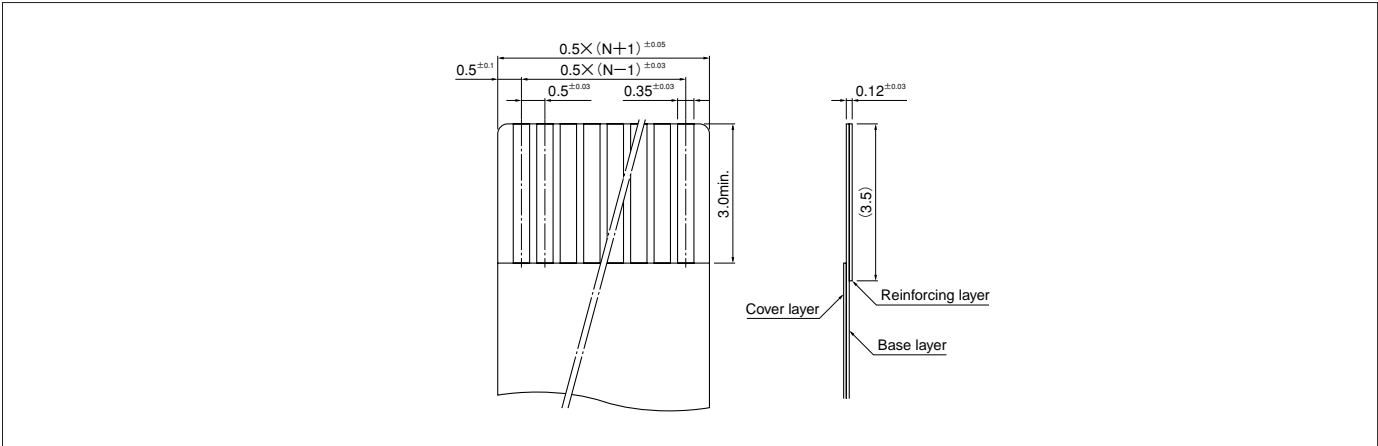
Circuits	Model No.	Dimensions (mm)			Q'ty / reel
		A	B	C	
19	19FHX-RSM1-G-1-S-TB	9.0	10.0	14.0	3,000
20	20FHX-RSM1-G-1-S-TB	9.5	10.5	14.5	3,000
24	24FHX-RSM1-G-1-S-TB	11.5	12.5	16.5	3,000
27	27FHX-RSM1-G-1-S-TB	13.0	14.0	18.0	3,000
34	34FHX-RSM1-G-1-S-TB	16.5	17.5	21.5	3,000
40	40FHX-RSM1-G-1-S-TB	19.5	20.5	24.5	3,000

Material and Finish

Contact: Copper alloy, nickel-undercoated, gold-plated
 Housing: LCP, UL94V-0, natural (white)
 Solder tab: Copper alloy, copper-undercoated, tin-plated (reflow treatment)
 Cover: LCP, UL94V-0, black

RoHS compliance This product displays (LF)(SN) on a label.

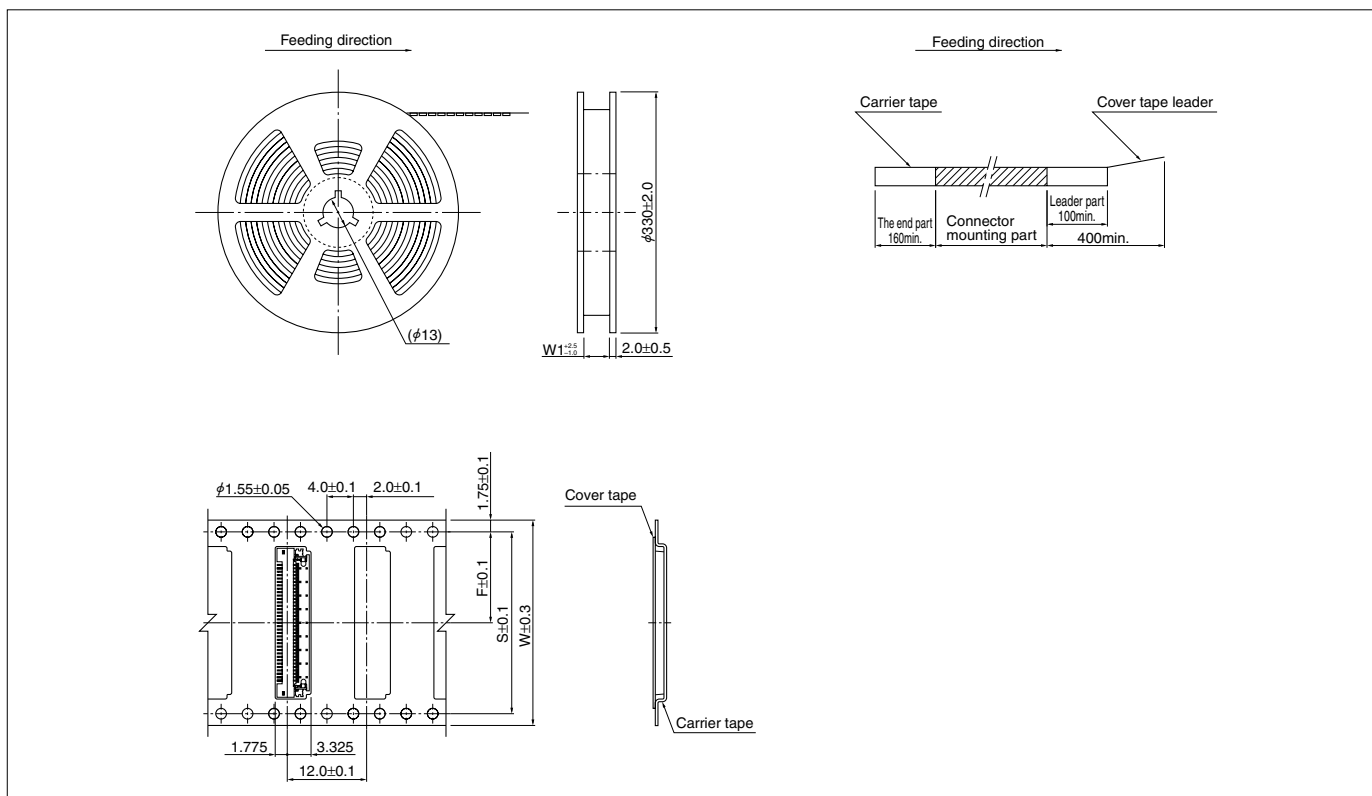
Lead section dimensions of FPC



Note: N --- Number of circuits

FHX CONNECTOR

Taping specifications



Circuits	Taping dimensions (mm)			Reel dimensions (mm)	Q'ty / reel
	F	S	W	W1	
19 to 24	11.5	—	24	25.5	3,000
27 to 34	14.2	28.4	32	33.5	3,000
40	20.2	40.4	44	45.5	3,000

Note:

1. Specifications conform to JIS C 0806. The tape width, connector recess hole dimensions, etc. are determined by the number of circuits and external shape of the connector to be loaded.
2. Specifications are subject to change without prior notice.