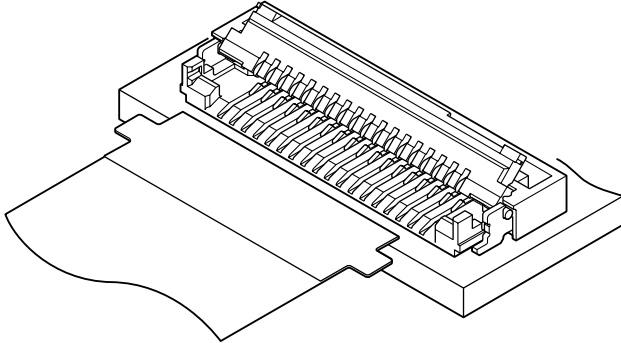




# FHY CONNECTOR

0.5mm pitch/Connectors for FPC



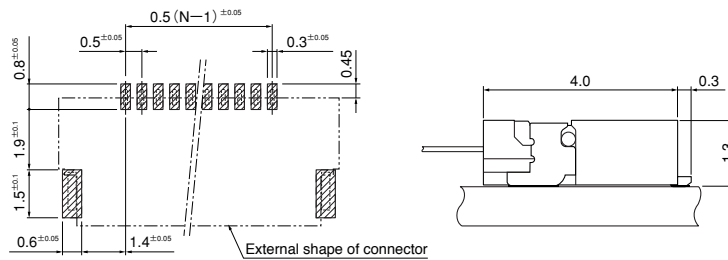
**The connector for the 0.3mm thickness FPC with a mounting height of 1.3 mm. FPC with protrusion prevents incomplete insertion and mis-insertion, so that it provides reliable connection.**

- A FPC with protrusion improves operability and reliability
- Reliable cover
- Self-lock mechanism enables the cover to close by one-touch operation

## Specifications

- Current rating: 0.5A AC, DC
- Voltage rating: 50V AC, DC
- Temperature range: -25°C to +85°C  
(including temperature rise in applying electrical current)
- Contact resistance: Initial value/60m Ω max.  
After environmental testing/60m Ω max.  
(variation from initial value)
- Insulation resistance: 800M Ω min.
- Withstanding voltage: 200V AC/minute
- Applicable FPC: Conductor pitch/0.5mm  
Conductor width/0.35mm  
Mating part thickness/0.3±0.03mm
- \* RoHS compliant products are published.
- \* Refer to "General Instruction and Notice when using Terminals and Connectors" at the end of this catalog.
- \* Contact JST for details.

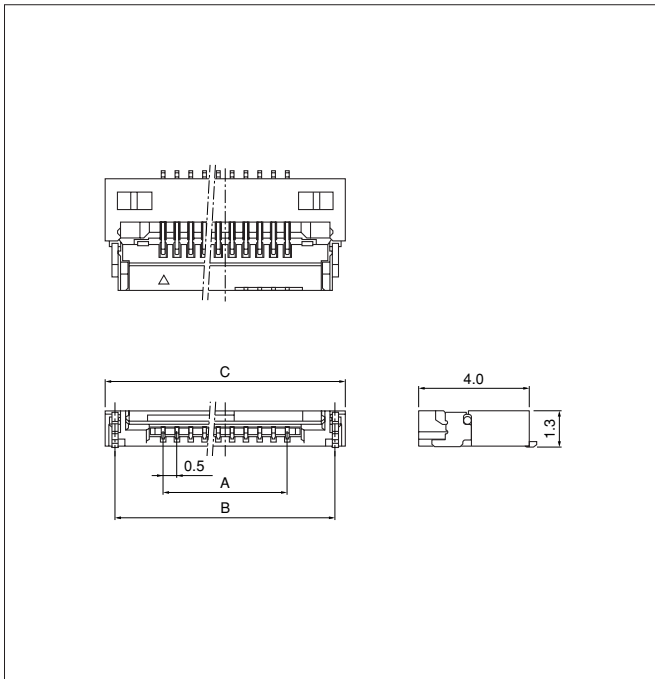
## PC board layout (viewed from component side) and Assembly layout



- Note: 1. Tolerances are non-cumulative: ±0.05mm for all centers.  
2. The dimensions above should serve as a guideline. Contact JST for details.  
3. N --- Number of circuits

# FHY CONNECTOR

## Connector



This products listed above are supplied on embossed-tape.

### Gold-plated product

Circuits	Model No.	Dimensions (mm)			Qty / reel
		A	B	C	
10	<b>10FHY-RSM1-GAN-TF</b>	4.5	8.0	8.7	3,000
18	<b>18FHY-RSM1-GAN-TF</b>	8.5	12.0	12.7	3,000
30	<b>30FHY-RSM1-GAN-TF</b>	14.5	18.0	18.7	3,000

### Material and Finish

Contact: Copper alloy, nickel-undercoated, gold-plated (nickel-stripe)  
 Housing: Heat resisting resin, UL94V-0, natural  
 Solder tab: Copper alloy, copper-undercoated, tin-plated (reflow treatment)  
 Cover: Heat resisting resin, UL94V-0, black

**RoHS compliance** This product displays (LF)(SN) on a label.

### Tin-plated product

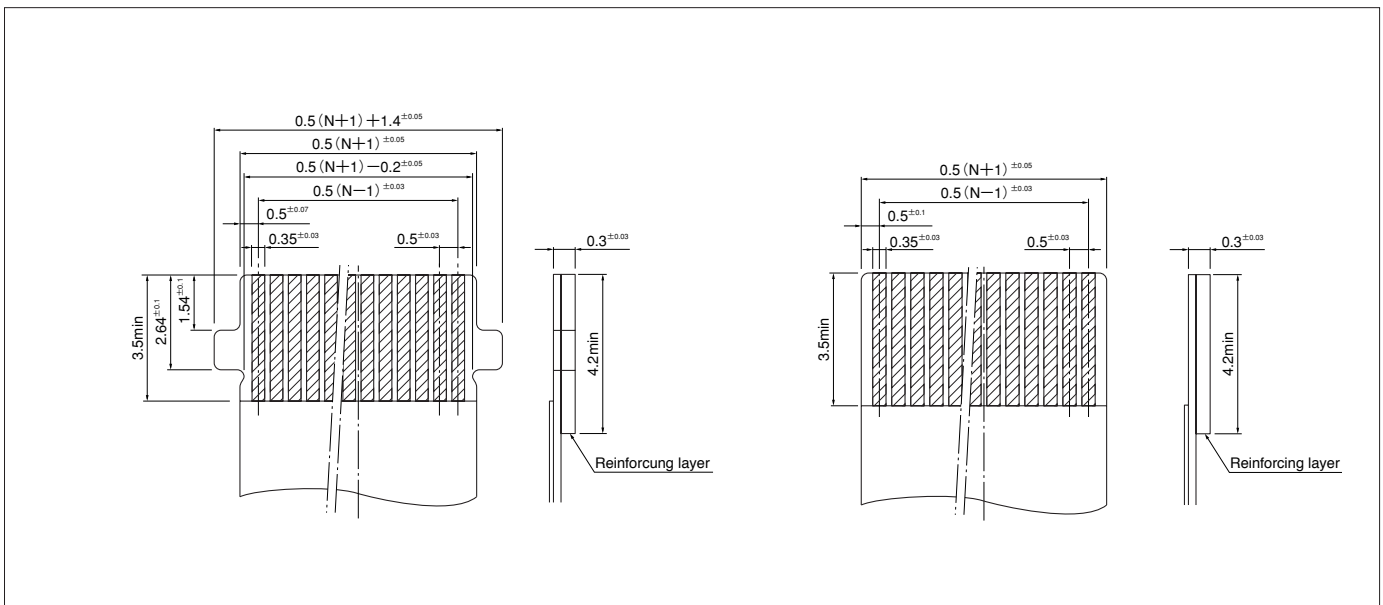
Circuits	Model No.	Dimensions (mm)			Qty / reel
		A	B	C	
40	<b>40FHY-RSM1-TF</b>	19.5	23.0	23.7	3,000
50	<b>50FHY-RSM1-TF</b>	24.5	28.0	28.7	3,000

### Material and Finish

Contact: Copper alloy, copper-undercoated, tin-plated (reflow treatment)  
 Housing: Heat resisting resin, UL94V-0, natural  
 Solder tab: Copper alloy, copper-undercoated, tin-plated (reflow treatment)  
 Cover: Heat resisting resin, UL94V-0, black

**RoHS compliance** This product displays (LF)(SN) on a label.

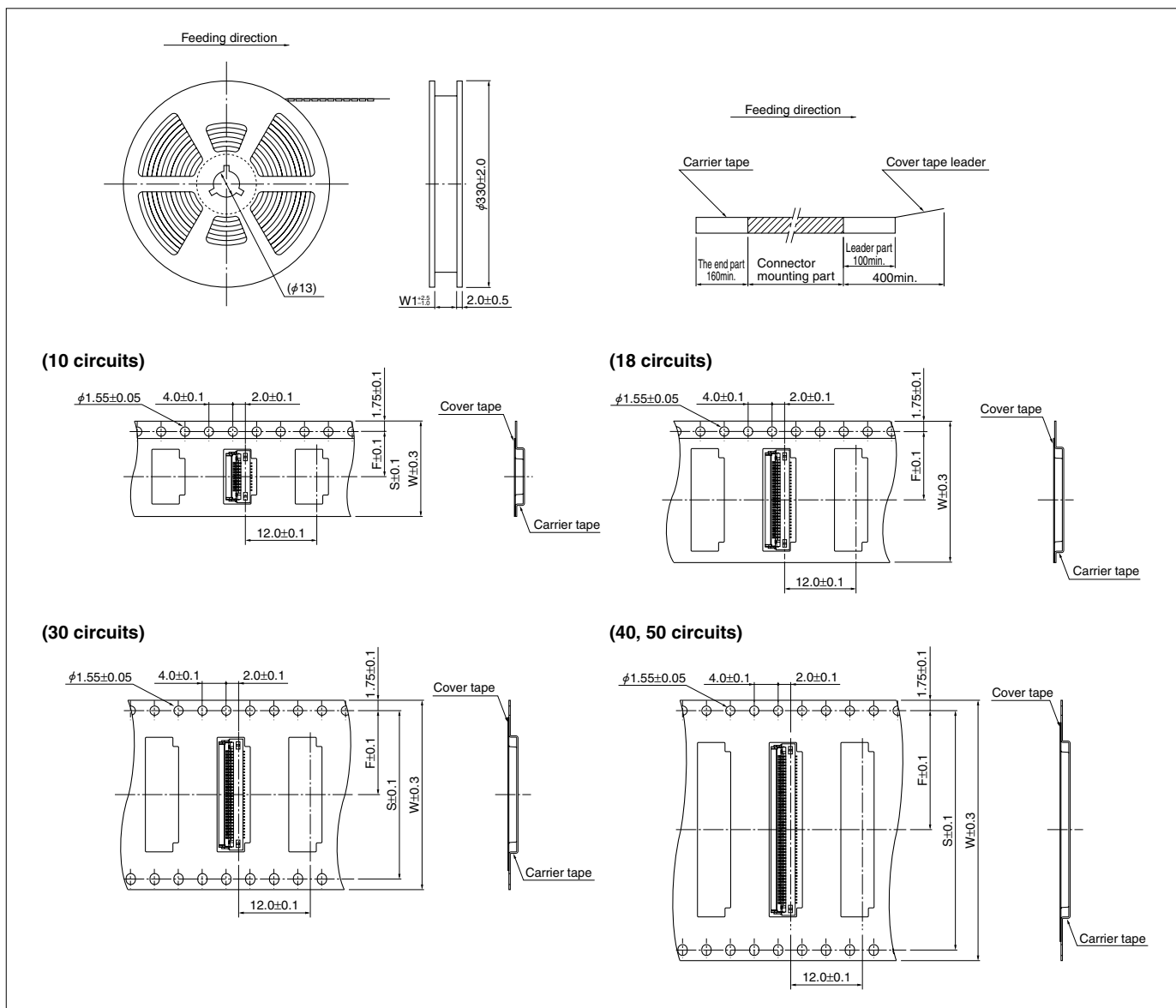
## Lead section dimensions of FPC



Note: N --- Number of circuits

# FHY CONNECTOR

## Taping specifications



Circuits	Taping dimensions (mm)			Dimensions (mm)	Q'ty / reel
	F	S	W	W1	
10	7.5	—	16.0	17.5	3,000
18	11.5	—	24.0	25.5	3,000
30	14.2	28.4	32.0	33.5	3,000
40, 50	20.2	40.4	44.0	45.5	3,000

Note: 1. Specifications conform to JIS C 0806. The tape width, connector loading recess square hole dimensions, etc. are determined by the number of circuits and external shape of the connector to be loaded.  
2. Specifications are subject to change without prior notice.