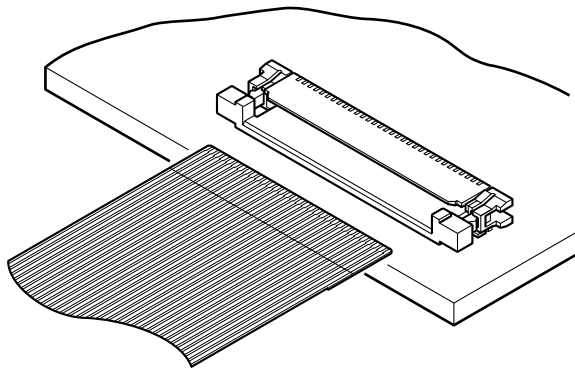


FKZ CONNECTOR

Connectors for FPC



Available both in normal type and reverse type.



Features

• Space saving

The depth is 3.5mm for the connectors of 25 circuits or less, and 4.0mm for 26 circuits or more.

• Low profile

Only 1.8mm height after mounted on the PC board.

• Zero insertion force mechanism

A ZIF mechanism increases wear resistance and extends the connector's mating life.

Specifications

- Current rating: 0.5A AC, DC
- Voltage rating: 50V AC, DC
- Temperature range: -25°C to +85°C
(including temperature rise in applying electrical current)
- Contact resistance: Initial value/20m Ω max.
After environmental testing/40m Ω max.
- Insulation resistance: 100M Ω min.
- Withstanding voltage: 200V AC/minute
- Applicable FPC: Conductor pitch/0.5mm
Conductor width/0.35mm
Mating part thickness/0.30±0.05mm

<Note>FPC to be actually used should be checked for applicability.

* RoHS compliant products are published.

* Refer to "General Instruction and Notice when using Terminals and Connectors" at the end of this catalog.

* Contact JST for details.

Standards

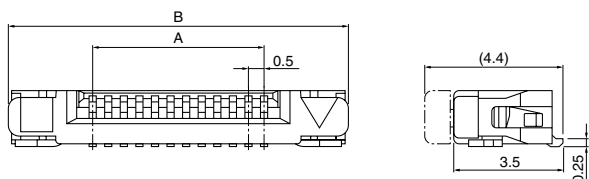
Recognized E60389

Certified LR20812

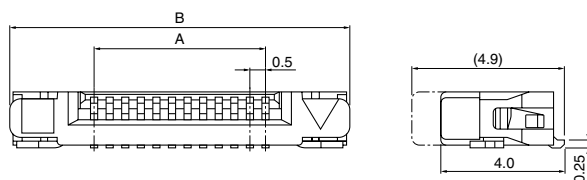
FKZ CONNECTOR

Connector

Normal type (5 to 25 circuits)



(26 to 32 circuits)



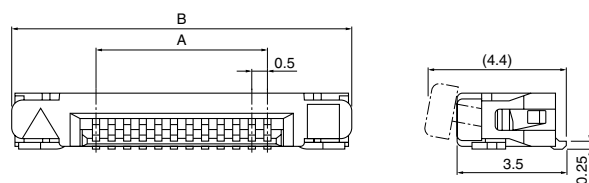
| Circuits | Model No. | Dimensions (mm) | | Q'ty / reel |
|----------|----------------|-----------------|------|-------------|
| | | A | B | |
| 5 | 05FKZ-SM1-1-TB | 2.0 | 7.5 | 3,000 |
| 6 | 06FKZ-SM1-1-TB | 2.5 | 8.0 | 3,000 |
| 8 | 08FKZ-SM1-1-TB | 3.5 | 9.0 | 3,000 |
| 12 | 12FKZ-SM1-1-TB | 5.5 | 11.0 | 3,000 |
| 14 | 14FKZ-SM1-1-TB | 6.5 | 12.0 | 3,000 |
| 16 | 16FKZ-SM1-1-TB | 7.5 | 13.0 | 3,000 |
| 18 | 18FKZ-SM1-1-TB | 8.5 | 14.0 | 3,000 |
| 19 | 19FKZ-SM1-1-TB | 9.0 | 14.5 | 3,000 |
| 20 | 20FKZ-SM1-1-TB | 9.5 | 15.0 | 3,000 |
| 22 | 22FKZ-SM1-1-TB | 10.5 | 16.0 | 3,000 |
| 23 | 23FKZ-SM1-1-TB | 11.0 | 16.5 | 3,000 |
| 24 | 24FKZ-SM1-1-TB | 11.5 | 17.0 | 3,000 |
| 26 | 26FKZ-SM1-2-TB | 12.5 | 18.0 | 3,000 |
| 27 | 27FKZ-SM1-2-TB | 13.0 | 18.5 | 3,000 |
| 30 | 30FKZ-SM1-2-TB | 14.5 | 20.0 | 3,000 |
| 32 | 32FKZ-SM1-2-TB | 15.5 | 21.0 | 3,000 |

Material and Finish

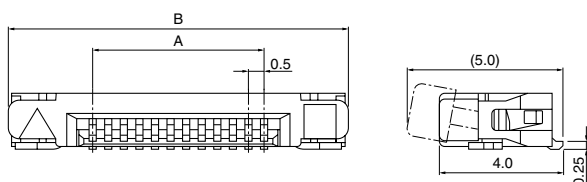
Contact: Phosphor bronze, copper-undercoated, tin-plated (reflow treatment)
 Contact: PPS, UL94V-0
 Solder tab: Brass, copper-undercoated, tin-plated (reflow treatment)
 Slider: PPS, UL94V-0

RoHS compliance This product displays (LF)(SN) on a label.

Reverse type (5 to 25 circuits)



(26 to 32 circuits)



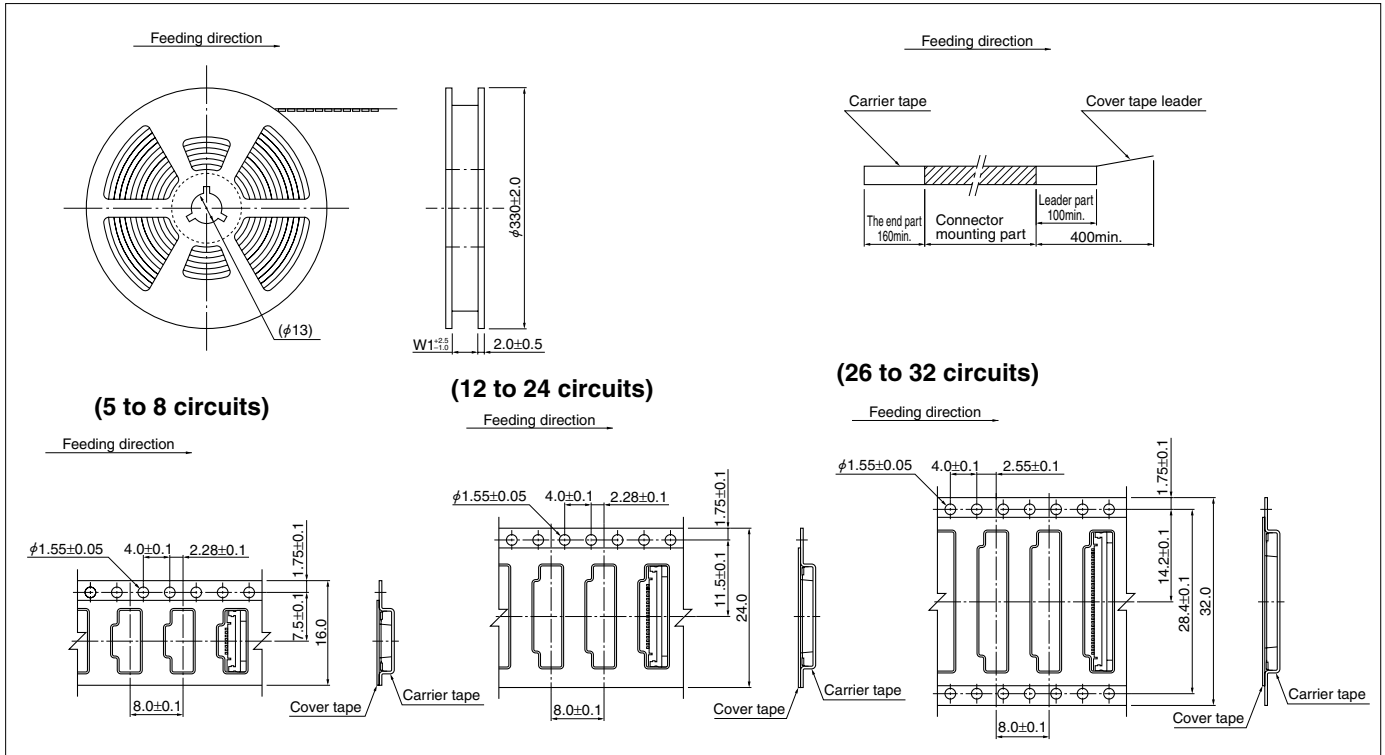
| Circuits | Model No. | Dimensions (mm) | | Q'ty / reel |
|----------|-----------------|-----------------|------|-------------|
| | | A | B | |
| 5 | 05FKZ-RSM1-1-TB | 2.0 | 7.5 | 3,000 |
| 6 | 06FKZ-RSM1-1-TB | 2.5 | 8.0 | 3,000 |
| 8 | 08FKZ-RSM1-1-TB | 3.5 | 9.0 | 3,000 |
| 12 | 12FKZ-RSM1-1-TB | 5.5 | 11.0 | 3,000 |
| 13 | 13FKZ-RSM1-1-TB | 6.0 | 11.5 | 3,000 |
| 14 | 14FKZ-RSM1-1-TB | 6.5 | 12.0 | 3,000 |
| 16 | 16FKZ-RSM1-1-TB | 7.5 | 13.0 | 3,000 |
| 18 | 18FKZ-RSM1-1-TB | 8.5 | 14.0 | 3,000 |
| 19 | 19FKZ-RSM1-1-TB | 9.0 | 14.5 | 3,000 |
| 20 | 20FKZ-RSM1-1-TB | 9.5 | 15.0 | 3,000 |
| 22 | 22FKZ-RSM1-1-TB | 10.5 | 16.0 | 3,000 |
| 24 | 24FKZ-RSM1-1-TB | 11.5 | 17.0 | 3,000 |
| 26 | 26FKZ-RSM1-2-TB | 12.5 | 18.0 | 3,000 |
| 27 | 27FKZ-RSM1-2-TB | 13.0 | 18.5 | 3,000 |
| 28 | 28FKZ-RSM1-2-TB | 13.5 | 19.0 | 3,000 |
| 30 | 30FKZ-RSM1-2-TB | 14.5 | 20.0 | 3,000 |
| 32 | 32FKZ-RSM1-2-TB | 15.5 | 21.0 | 3,000 |

Material and Finish

Contact: Phosphor bronze, copper-undercoated, tin-plated (reflow treatment)
 Housing: PPS, UL94V-0
 Solder tab: Brass, copper-undercoated, tin-plated (reflow treatment)
 Slider: PPS, UL94V-0

RoHS compliance This product displays (LF)(SN) on a label.

Taping specifications

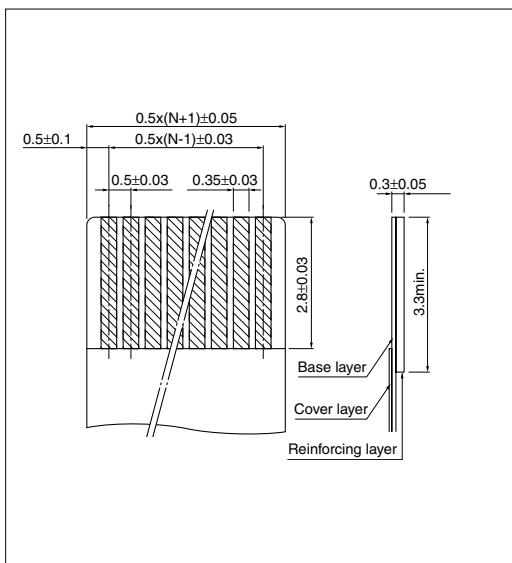


| Circuits | Reel dimensions (mm) | | Q'ty / reel |
|----------|----------------------|--|-------------|
| | W1 | | |
| 5 to 8 | 17.5 | | 3,000 |
| 12 to 24 | 25.5 | | 3,000 |
| 26 to 32 | 33.5 | | 3,000 |

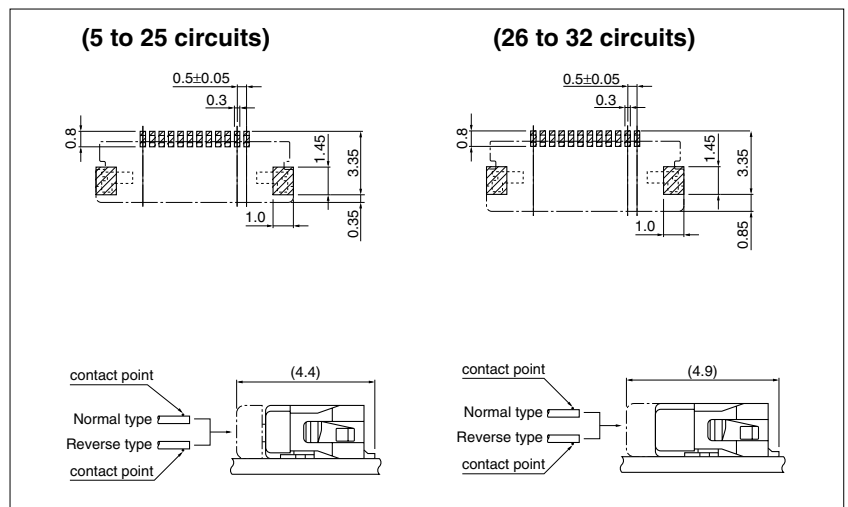
Note:

1. Specifications conform to JIS C 0806. The tape width, connector loading recess square hole dimensions, etc. are determined by the number of circuits and external shape of the connector to be loaded.
2. Specifications are subject to change without prior notice.

Lead section dimensions of FPC ——— PC board layout (viewed from component side) and Assembly layout



Note: N --- Number of circuits



Note:

1. Tolerances are non-cumulative: $\pm 0.05\text{mm}$ for all centers.
2. The dimensions above should serve as a guideline. Contact JST for details.