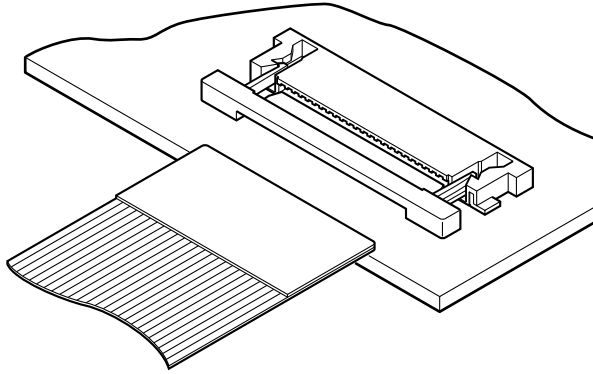




FLH CONNECTOR

0.5mm pitch/Connectors for FPC



Compact connector with just 1.2mm high after mounting on the PC board.

- **Thin design**
- **Heat resisting design suitable for surface mounting**
- **In-line surface mounting**
- **Two types of connections**
- **Embossed tape for automatic mounting**

Specifications

- Current rating: 0.5A AC, DC
- Voltage rating: 50V AC, DC
- Temperature range: -25°C to +85°C
(including temperature rise in applying electrical current)
- Contact resistance: Initial value/40m Ω max.
After environmental testing/60m Ω max.
- Insulation resistance: 800M Ω min.
- Withstanding voltage: 200V AC/minute
- Applicable FPC: Conductor pitch/0.5mm
Conductor width/0.35mm
Mating part thickness/0.30±0.03mm

Note: FPC to be actually used should be checked for applicability.

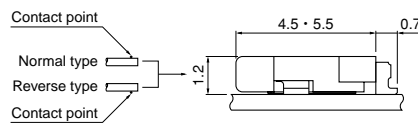
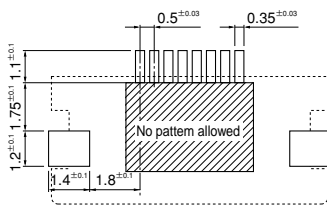
- * RoHS compliant products are published.
- * Refer to "General Instruction and Notice when using Terminals and Connectors" at the end of this catalog.
- * Contact JST for details.

Standards

Ⓡ Recognized E60389

Ⓢ Certified LR20812

PC board layout (viewed from component side) and Assembly layout

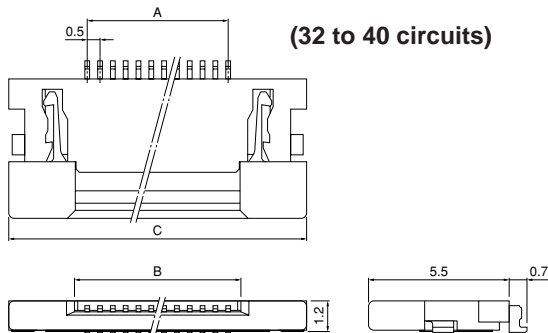
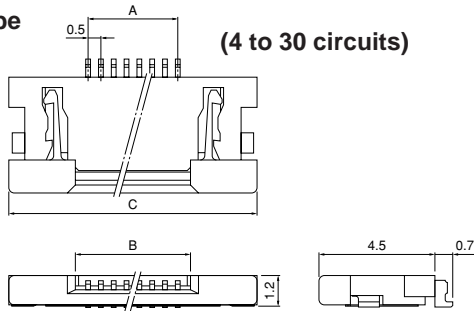


- Note: 1. Tolerances are non-cumulative: ±0.03mm for all centers.
2. The dimensions above should serve as a guideline. Contact JST for details.*

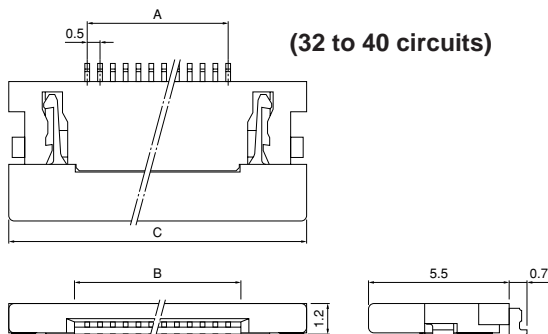
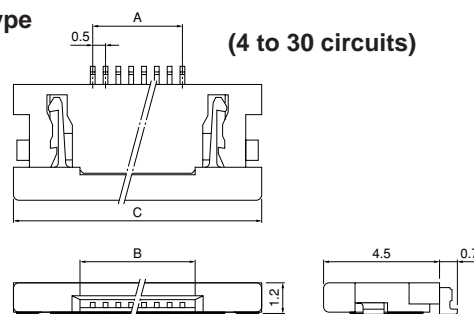
FLH CONNECTOR

Connector

Normal type



Reverse type



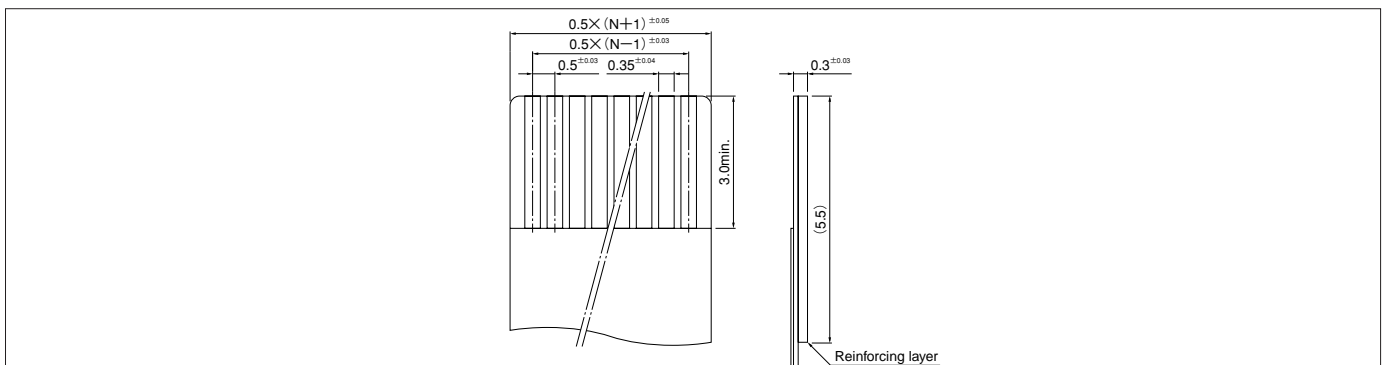
Circuits	Model No.		Dimensions (mm)			Qty / reel
	Normal type	Reverse type	A	B	C	
4	04FLH-SM1-TB	04FLH-RSM1-TB	1.5	2.55	7.7	3,000
6	06FLH-SM1-TB	06FLH-RSM1-TB	2.5	3.55	8.7	3,000
7	07FLH-SM1-TB	07FLH-RSM1-TB	3.0	4.05	9.2	3,000
8	08FLH-SM1-TB	08FLH-RSM1-TB	3.5	4.55	9.7	3,000
10	10FLH-SM1-TB	10FLH-RSM1-TB	4.5	5.55	10.7	3,000
11	11FLH-SM1-TB	11FLH-RSM1-TB	5.0	6.05	11.2	3,000
12	12FLH-SM1-TB	12FLH-RSM1-TB	5.5	6.55	11.7	3,000
13	13FLH-SM1-TB	13FLH-RSM1-TB	6.0	7.05	12.2	3,000
14	14FLH-SM1-TB	14FLH-RSM1-TB	6.5	7.55	12.7	3,000
15	15FLH-SM1-TB	15FLH-RSM1-TB	7.0	8.05	13.2	3,000
16	16FLH-SM1-TB	16FLH-RSM1-TB	7.5	8.55	13.7	3,000
17	17FLH-SM1-TB	17FLH-RSM1-TB	8.0	9.05	14.2	3,000
18	18FLH-SM1-TB	18FLH-RSM1-TB	8.5	9.55	14.7	3,000
19	—	19FLH-RSM1-TB	9.0	10.05	15.2	3,000
20	20FLH-SM1-TB	20FLH-RSM1-TB	9.5	10.55	15.7	3,000
21	21FLH-SM1-TB	—	10.0	11.05	16.2	3,000
22	22FLH-SM1-TB	22FLH-RSM1-TB	10.5	11.55	16.7	3,000
24	24FLH-SM1-TB	24FLH-RSM1-TB	11.5	12.55	17.7	3,000
26	26FLH-SM1-TB	—	12.5	13.55	18.7	3,000
28	28FLH-SM1-TB	28FLH-RSM1-TB	13.5	14.55	19.7	3,000
30	30FLH-SM1-TB	30FLH-RSM1-TB	14.5	15.55	20.7	3,000
32	32FLH-SM1-TB	32FLH-RSM1-TB	15.5	16.55	21.7	3,000
34	—	34FLH-RSM1-TB	16.5	17.55	22.7	3,000
40	40FLH-SM1-TB	40FLH-RSM1-TB	19.5	20.55	25.7	3,000

Material and Finish

Contact: Copper alloy, copper-undercoated, tin-plated (reflow treatment)
Housing: LCP, UL94V-0
Solder tab: Copper alloy, copper-undercoated, tin-plated (reflow treatment)
Slider: PA 6T, UL94V-0

RoHS compliance This product displays (LF)(SN) on a label.
Note: The products listed above are supplied on embossed tape.

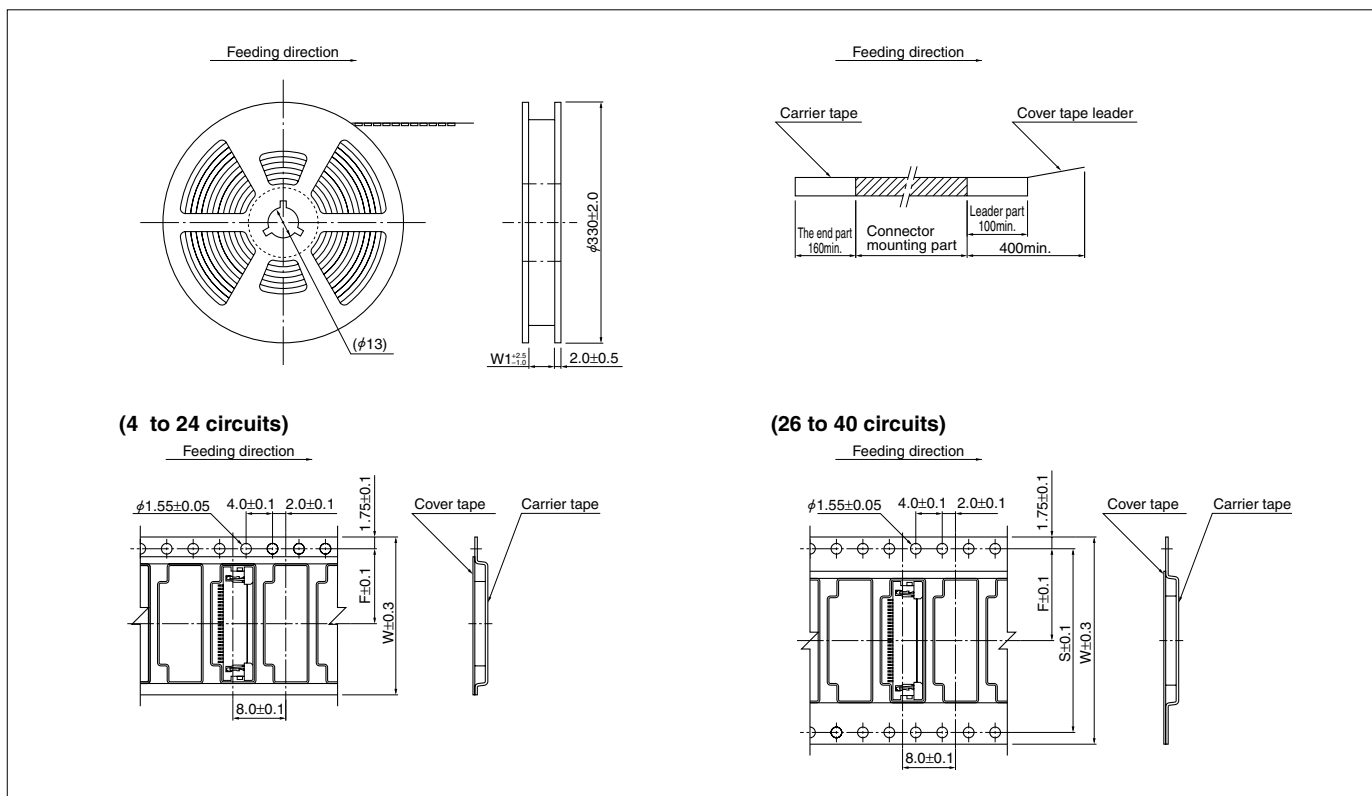
Lead section dimensions of FPC



Note: N --- Number of circuits

FLH CONNECTOR

Taping specifications



Circuits	Taping dimensions (mm)			Reel dimensions (mm)	Q'ty / reel
	F	S	W	W1	
4 to 8	7.5	-	16.0	17.5	3,000
10 to 24	11.5	-	24.0	25.5	3,000
26 to 30	14.2	28.4	32.0	33.5	3,000
32 to 40	20.2	40.4	44.0	45.5	3,000

Note:

1. Specifications conform to JIS C 0806. The tape width, connector loading recess square hole dimensions, etc. are determined by the number of circuits and external shape of the connector to be loaded.
2. Specifications are subject to change without prior notice.