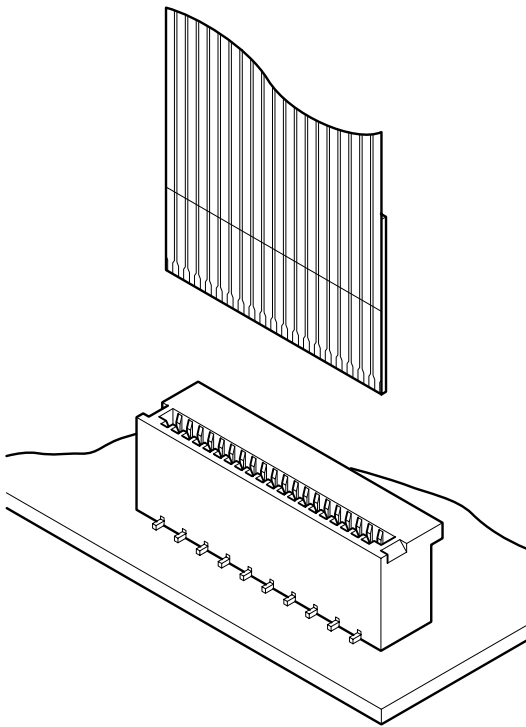


# FLT CONNECTOR

0.5mm pitch/Connectors for FPC



- Heat resisting design suitable for surface mounting
- Staggered surface mount tails
- Embossed tape for automatic mounting
- FPC insertion is easy
- Compact design

## Specifications

- Current rating: 0.5A AC, DC
- Voltage rating: 50V AC, DC
- Temperature range: -25°C to +85°C  
(including temperature rise in applying electrical current)
- Contact resistance: Initial value/50m Ω max.  
After environmental testing/20m Ω max.  
(variation from initial value)
- Insulation resistance: 500M Ω min.
- Withstanding voltage: 200V AC/minute
- Applicable FPC: Conductor pitch/0.5mm  
Conductor width/0.35mm  
Mating part thickness/0.30±0.05mm

Note: FPC to be actually used should be checked for applicability.

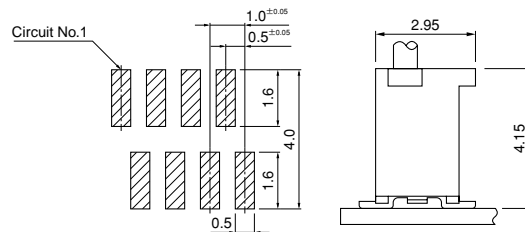
- \* RoHS compliant products are published.
- \* Refer to "General Instruction and Notice when using Terminals and Connectors" at the end of this catalog.
- \* Contact JST for details.

## Standards

Ⓡ Recognized E60389

Ⓢ Certified LR20812

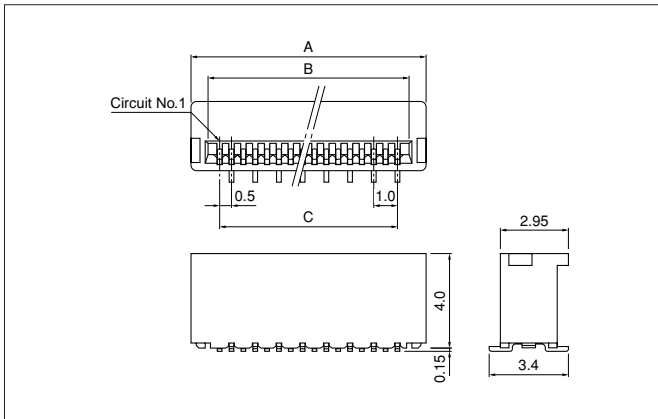
## PC board layout (viewed from component side) and Assembly layout



- Note: 1. Tolerances are non-cumulative: ±0.05mm for all centers.  
2. The dimensions above should serve as a guide line. Contact JST for details.

# FLT CONNECTOR

## Connector



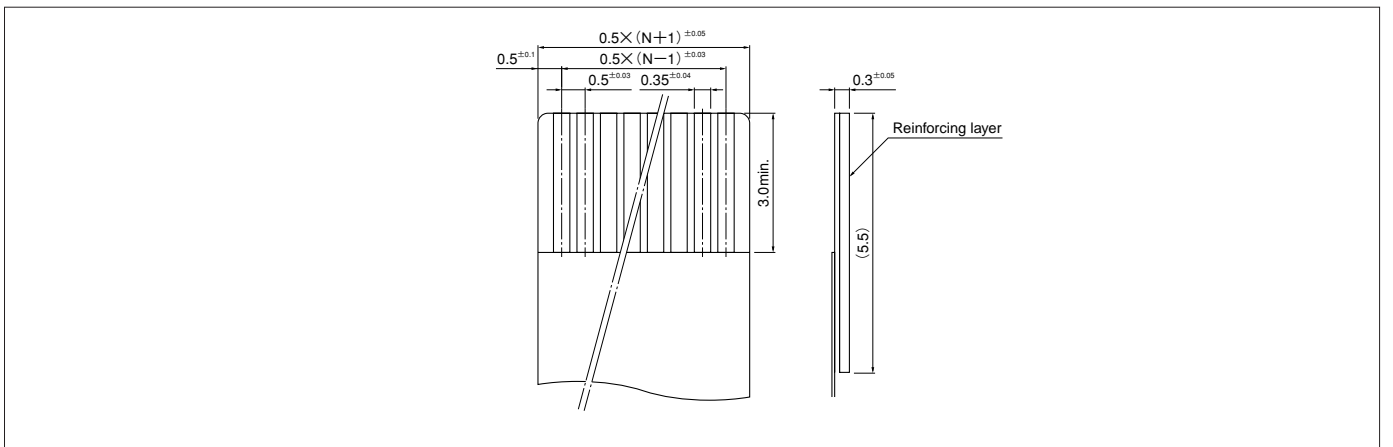
Circuits	Model No.	Dimensions (mm)			Q'ty / reel
		A	B	C	
6	<b>06FLT-SM2-TB</b>	4.9	3.5	2.5	2,500
8	<b>08FLT-SM2-TB</b>	5.9	4.5	3.5	2,500
10	<b>10FLT-SM2-TB</b>	6.9	5.5	4.5	2,500
12	<b>12FLT-SM2-TB</b>	7.9	6.5	5.5	2,500
14	<b>14FLT-SM2-TB</b>	8.9	7.5	6.5	2,500
16	<b>16FLT-SM2-TB</b>	9.9	8.5	7.5	2,500
18	<b>18FLT-SM2-TB</b>	10.9	9.5	8.5	2,500
20	<b>20FLT-SM2-TB</b>	11.9	10.5	9.5	2,500
22	<b>22FLT-SM2-TB</b>	12.9	11.5	10.5	2,500
24	<b>24FLT-SM2-TB</b>	13.9	12.5	11.5	2,500
26	<b>26FLT-SM2-TB</b>	14.9	13.5	12.5	2,500
28	<b>28FLT-SM2-TB</b>	15.9	14.5	13.5	2,500
30	<b>30FLT-SM2-TB</b>	16.9	15.5	14.5	2,500
32	<b>32FLT-SM2-TB</b>	17.9	16.5	15.5	2,500
40	<b>40FLT-SM2-TB</b>	21.9	20.5	19.5	2,500

### Material and Finish

Contact: Phosphor bronze, copper-undercoated, tin-plated (reflow treatment)  
Housing: PA 6T, UL94V-0

**RoHS compliance** This product displays (LF)(SN) on a label.  
Note: The products listed above are supplied on embossed-tape.

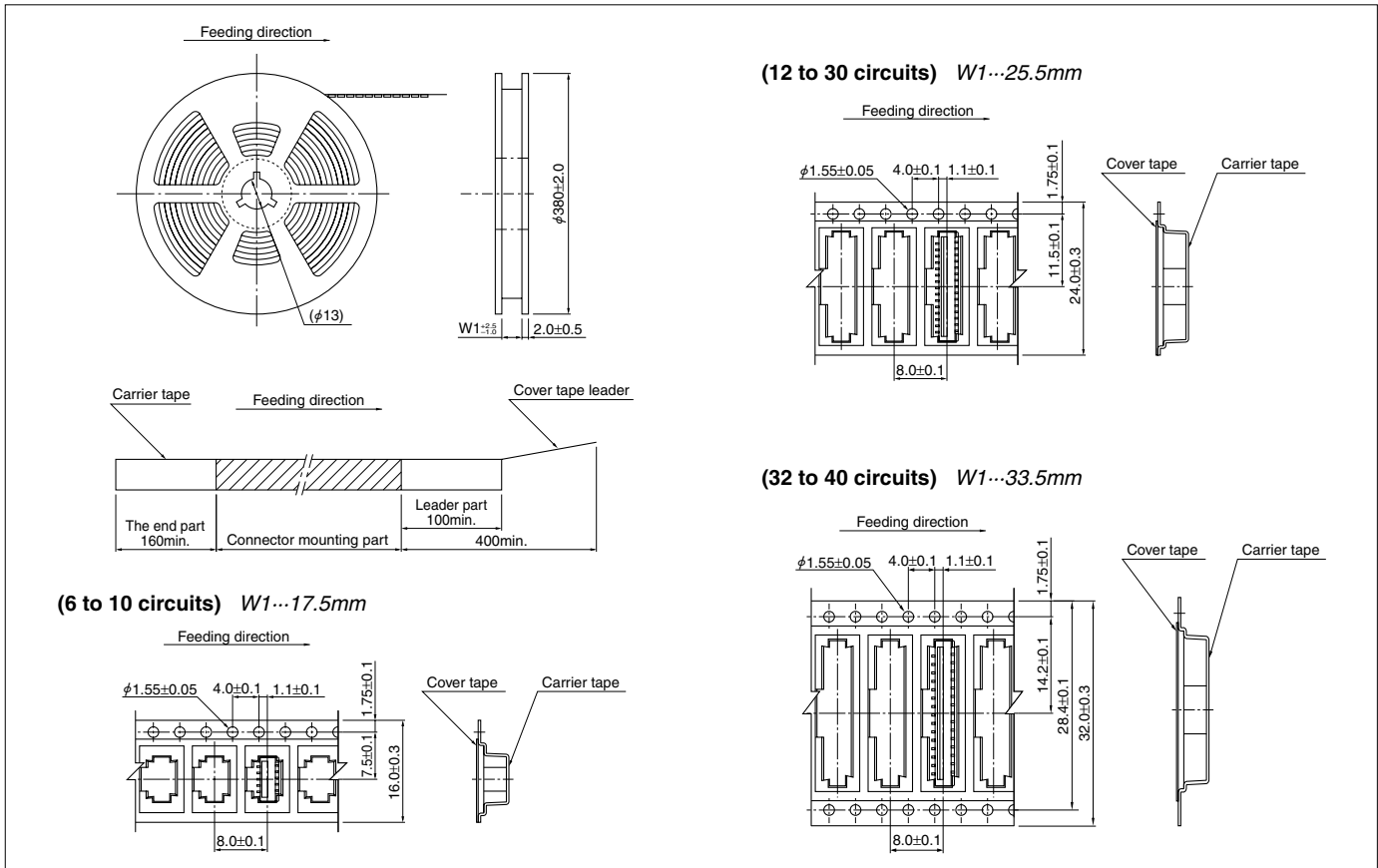
## Lead section dimensions of FPC



Note: N --- Number of circuits

# FLT CONNECTOR

## Taping specifications



**Note:**

- Specifications conform to JIS C 0806. The tape width, connector recess hole dimensions, etc. are determined by the number of circuits and external shape of the connector to be loaded.
- Specifications are subject to change without prior notice.