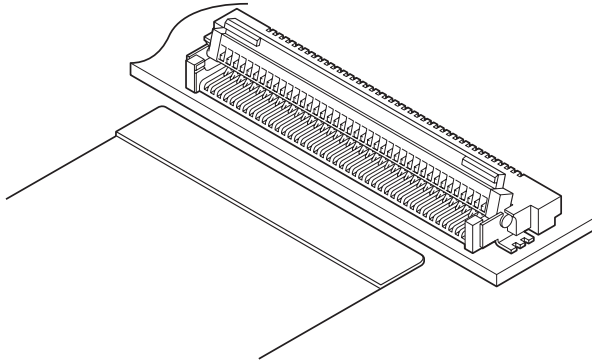




FLZX CONNECTOR

0.5mm pitch/Connectors for FFC and FPC



The connector for the 0.3mm thickness FFC or FPC with a mounting height of 2.0mm.

This 0.5mm pitch FFC or FPC connector adopts a ZIF structure, which provides superior performance in durability and offers effective protection from wearing. The use of the rotating type cover contributes to easy operation especially with big circuits connectors.

- Rotating type cover
- Reliable cover
- Heat resisting design for surface mounting

Specifications

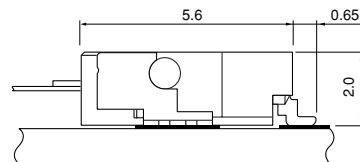
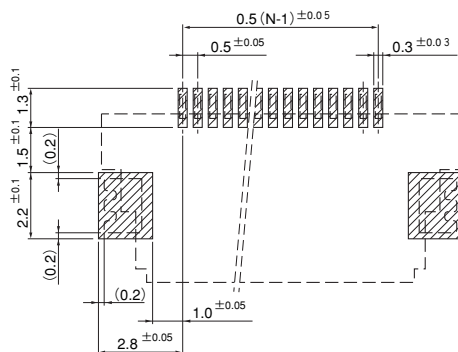
- Current rating: 0.5A AC, DC
 - Voltage rating: 50V AC, DC
 - Temperature range: -25°C to +85°C
(including temperature rise in applying electrical current)
 - Contact resistance: Initial value/40m Ω max.
After environmental testing/60m Ω max.
 - Insulation resistance: 500M Ω min.
 - Withstanding voltage: 200V AC/minute
 - Applicable FFC and FPC: Conductor pitch/0.5mm
Conductor width/0.35mm
Mating part thickness/0.3±0.03mm
- * RoHS compliant products are published.
* Refer to "General Instruction and Notice when using Terminals and Connectors" at the end of this catalog.
* Contact JST for details.

Standards

Recognized E60389

Certified LR20812

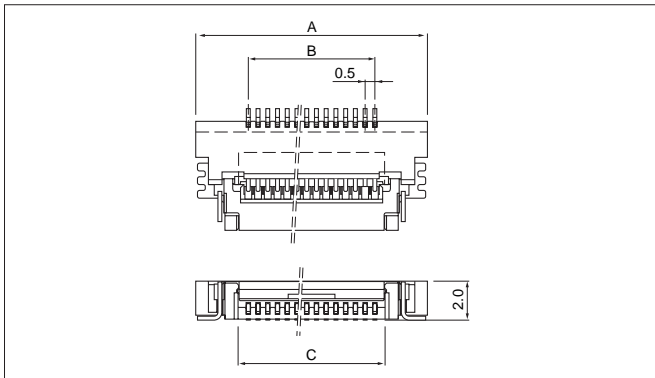
PC board layout (viewed from component side) and Assembly layout



Note: 1. Tolerances are non-cumulative: ±0.05mm for all centers.
2. The dimensions above should serve as a guideline. Contact JST for details.
3. N --- Number of circuits

FLZX CONNECTOR

Connector



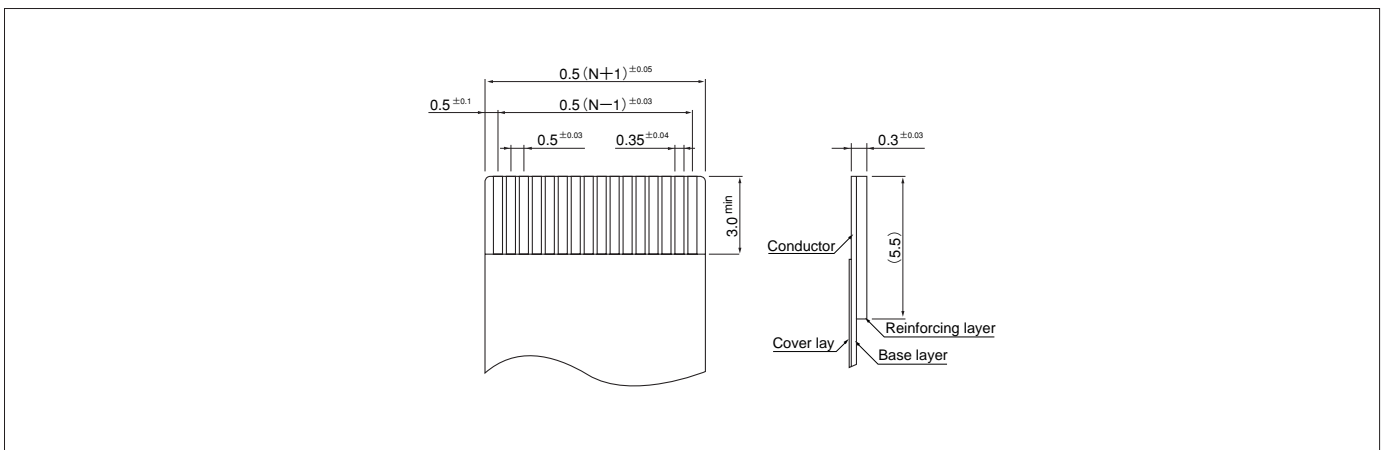
Circuits	Model No.	Dimensions (mm)			Q'ty / reel
		A	B	C	
20	20FLZX-RSM1-A-TB	14.9	9.5	10.55	2,000
24	24FLZX-RSM1-A-TB	16.9	11.5	12.55	2,000
32	32FLZX-RSM1-A-TB	20.9	15.5	16.55	2,000
34	34FLZX-RSM1-A-TB	21.9	16.5	17.55	2,000
50	50FLZX-RSM1-A-TB	29.9	24.5	25.55	2,000

Material and Finish

Contact: Copper alloy, copper-undercoated, tin-plated (reflow treatment)
Housing: Heat resisting resin, UL94V-0
Solder tab: Copper alloy, copper-undercoated, tin-plated (reflow treatment)
Cover housing: Heat resisting resin, UL94V-0

RoHS compliance This product displays (LF)(SN) on a label.

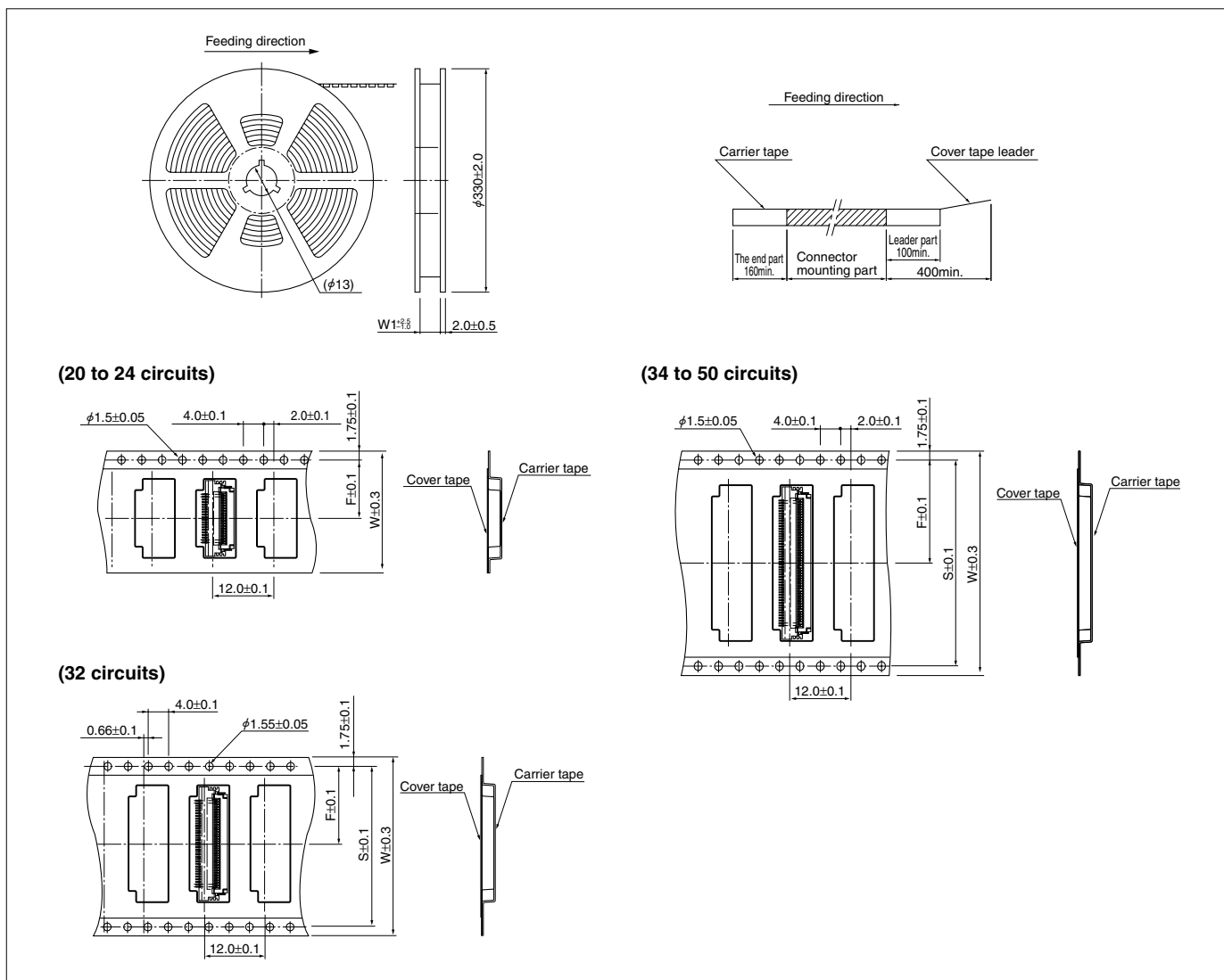
Lead section dimensions of FFC and FPC



Note: N --- Number of circuits

FLZX CONNECTOR

Taping specifications



Circuits	Dimensions (mm)			Reel dimensions (mm)		Qty / reel
	F	S	W	W1		
20 to 24	11.5	-	24.0	25.5	2,000	
32	14.2	28.4	32.0	33.5	2,000	
34 to 50	20.2	40.4	44.0	45.5	2,000	

Note:

1. Specifications conform to JIS C 0806. The tape width, connector loading recess square hole dimensions, etc. are determined by the number of circuits and external shape of the connector to be loaded.
2. Specifications are subject to change without prior notice.