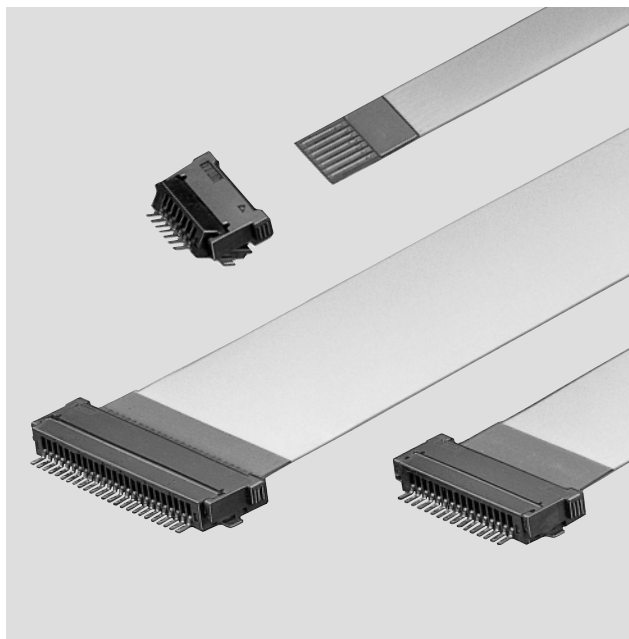
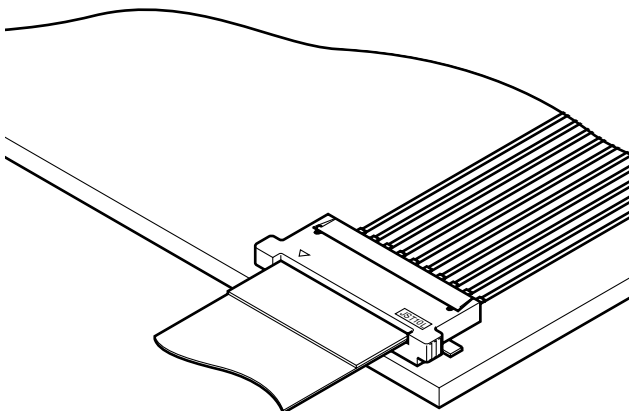


# FPZ CONNECTOR

Connectors for FFC



**The FPZ is a Zero Insertion Force (ZIF) connector designed for surface mounting of FFCs with a lead pitch of 1.0mm. With its mating slider serving as a guide, the FPZ connector ensures easy and reliable connection. It also features high heat resistance, which is suitable for surface mounting, and can be supplied in the form of emboss taping to facilitate automatic mounting.**



## Features

### • Easy and reliable connection

Connection can be made simply by inserting the leads into the connector and pressing the slider. Once the leads are inserted, they are held by the 4-side guides located inside the slider so that they will not dislocate or come off.

### • Emboss taping for automatic mounting

The FPZ is supplied in the form of emboss taping for automatic mounting.

### • Heat resisting design suitable for surface mounting

This surface mounting type is designed to meet the needs of surface mountable devices inside electronic equipment. The housing is made of highly heat resisting resin to allow reflow soldering.

### • High-density design, with a height of a mere 2.9mm

The circuit pitch at the soldered portion is 1.0mm and its mounting height is 2.9mm when locked. The FPZ is a compact and low-profile design.

## Specifications

- Current rating: 0.5A AC, DC
- Voltage rating: 50V AC, DC
- Temperature range: -25°C to +85°C  
(including temperature rise in applying electrical current)
- Contact resistance: Initial value/20m Ω max.  
After environmental testing/30m Ω max.
- Insulation resistance: 800M Ω min.
- Withstanding voltage: 500V AC/minute
- Applicable FFC : Conductor pitch/1.0mm  
Conductor width/0.7mm  
Mating part thickness/0.30±0.05mm

<Note>FFC to be actually used should be checked for applicability.

- \* RoHS compliant products are published.
- \* Refer to "General Instruction and Notice when using Terminals and Connectors" at the end of this catalog.
- \* Contact JST for details.

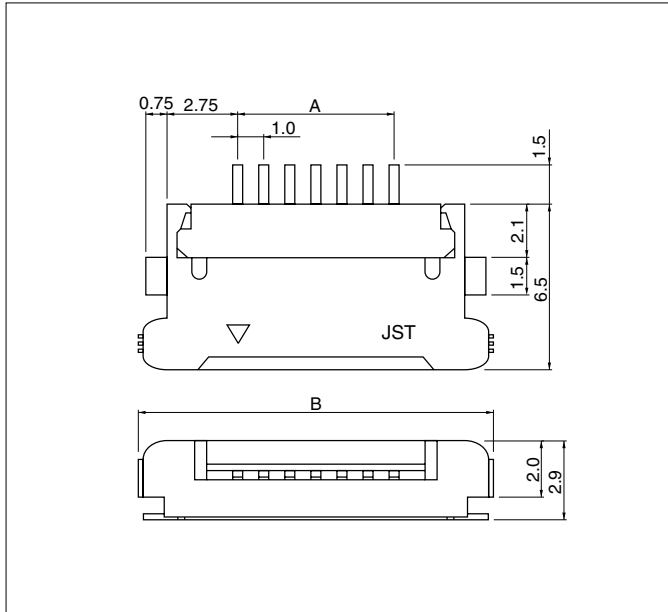
## Standards

Recognized E60389

Certified LR20812

# FPZ CONNECTOR

## Connector



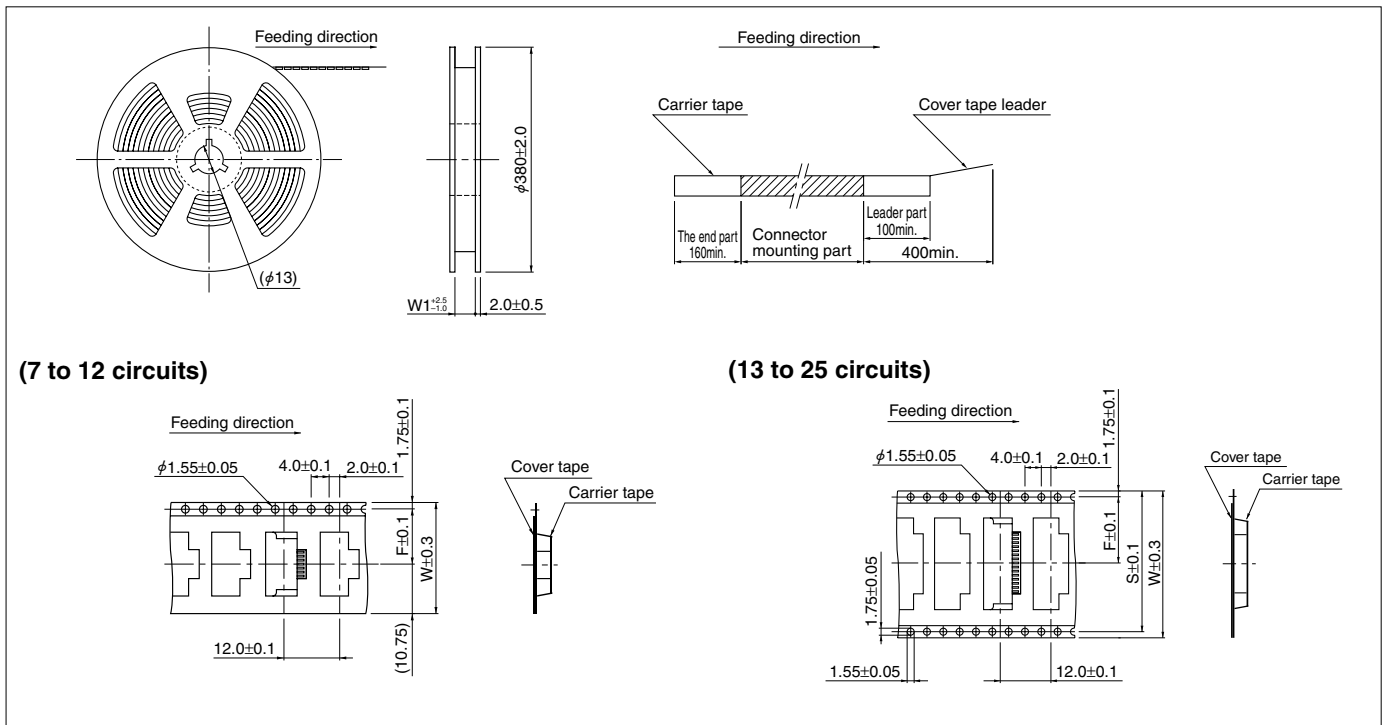
Circuits	Model No.	Dimensions (mm)		Q'ty / reel
		A	B	
7	07FPZ-SM-TF	6.0	13.0	2,000
8	08FPZ-SM-TF	7.0	14.0	2,000
10	10FPZ-SM-TF	9.0	16.0	2,000
11	11FPZ-SM-TF	10.0	17.0	2,000
12	12FPZ-SM-TF	11.0	18.0	2,000
13	13FPZ-SM-TF	12.0	19.0	2,000
14	14FPZ-SM-TF	13.0	20.0	2,000
15	15FPZ-SM-TF	14.0	21.0	2,000
16	16FPZ-SM-TF	15.0	22.0	2,000
18	18FPZ-SM-TF	17.0	24.0	2,000
20	20FPZ-SM-TF	19.0	26.0	2,000
24	24FPZ-SM-TF	23.0	30.0	2,000
25	25FPZ-SM-TF	24.0	31.0	2,000

### Material and Finish

Contact: Phosphor bronze, copper-undercoated, tin-plated (reflow treatment)  
 Reinforcing metal: Brass, tin-plated (reflow treatment)  
 Housing: PPS, UL94V-0

**RoHS compliance** This product displays (LF)(SN) on a label.  
 Note: The products listed above are supplied on embossed tape.

## Taping specifications

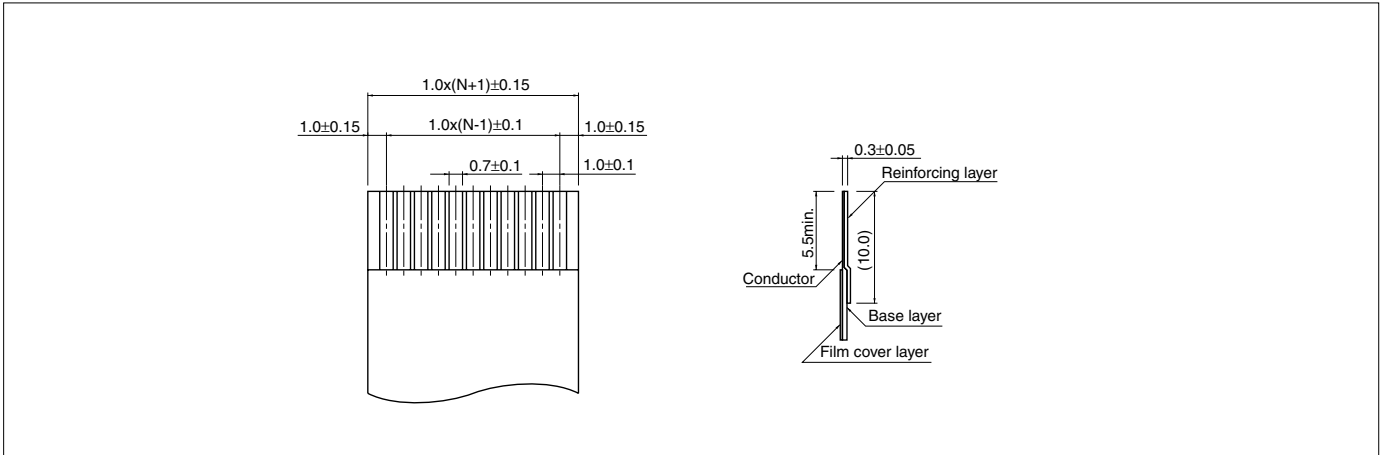


Circuits	Taping dimensions (mm)			Reel dimensions (mm)	Q'ty / reel
	F	S	W		
7 to 12	11.5	—	24.0	25.5	2,000
13 to 16	14.2	28.4	32.0	33.5	2,000
18 to 25	20.2	40.4	44.0	45.5	2,000

### Note:

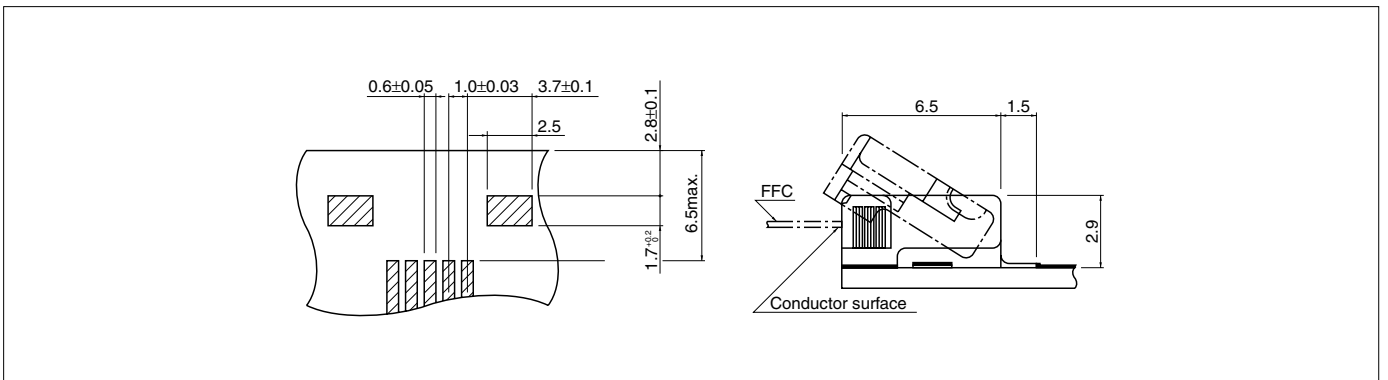
- Specifications conform to JIS C 0806. The tape width, connector recess dimensions, etc. are determined by the number of circuits and external shape of the connector to be loaded.
- Specifications are subject to change without prior notice.

## Lead section dimensions of FFC



Note: N --- Number of circuits

## PC board layout (viewed from component side) and Assembly layout



Note:

1. Tolerances are non-cumulative:  $\pm 0.03 \text{ mm}$  for all centers.
2. The dimensions above should serve as a guideline.  
Contact JST for details.